



CHILLI + LIME

Chilli + Lime is a highly configurable table system that adapts itself to suit multiple environments. The design premise was to design a simple but beautiful product that combines the strength of a metal frame with the softness of a timber leg. This created a look and feel that is home like and natural yet very robust.

The table system is appropriate for collaborative and quiet environments, with options for low height and standing height tables along with open plan workstation scenarios. Chilli + Lime can be personalised to fit the space with a variety of colour and finish options for the surface and the legs.

LEAD TIME

6 weeks

MATERIALS

Steel frame
Victorian Ash

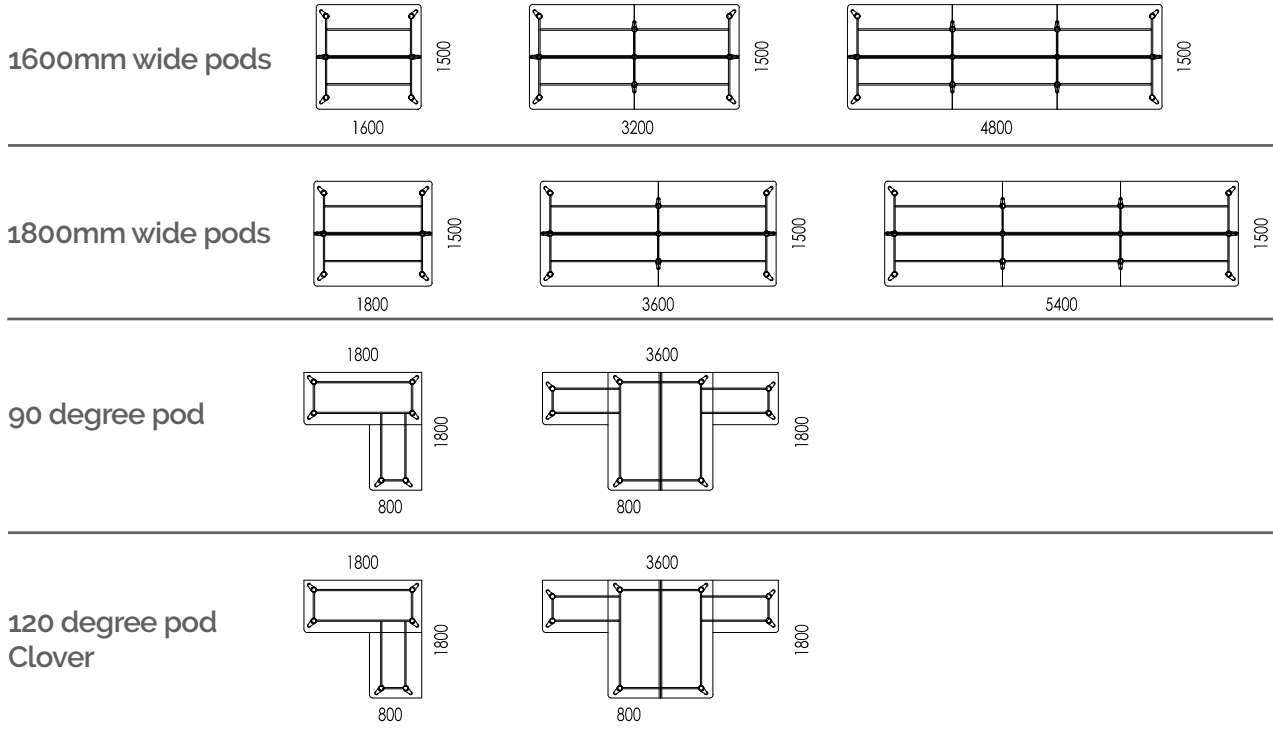
CERTIFICATIONS

ISO 14001 Certified Factory

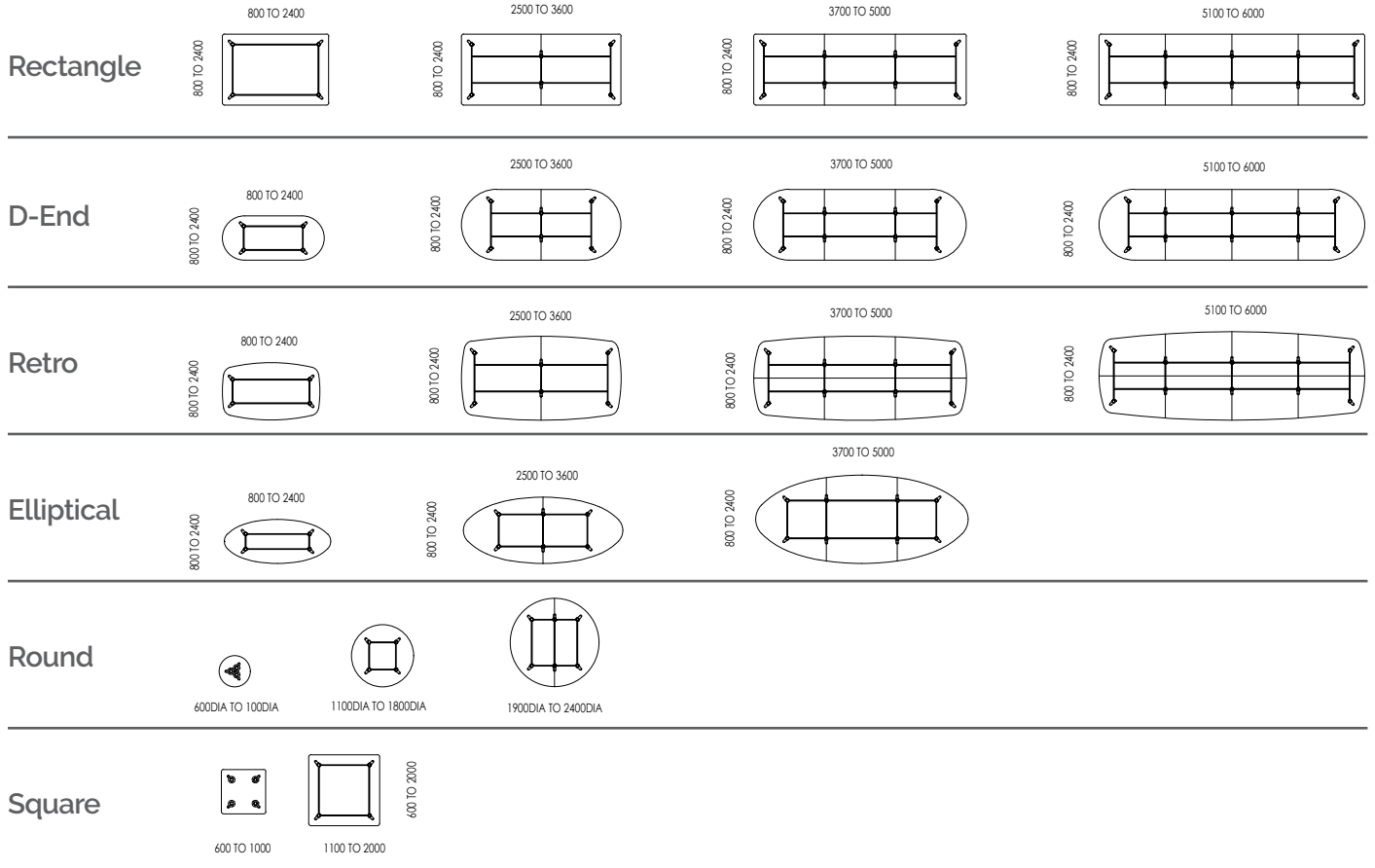
WARRANTY

5 years

Configurations - Workstations

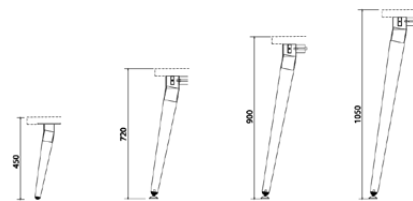


Configurations - Tables



Leg Heights

Available heights vary by top size



Drawings are for indicative purposes only