

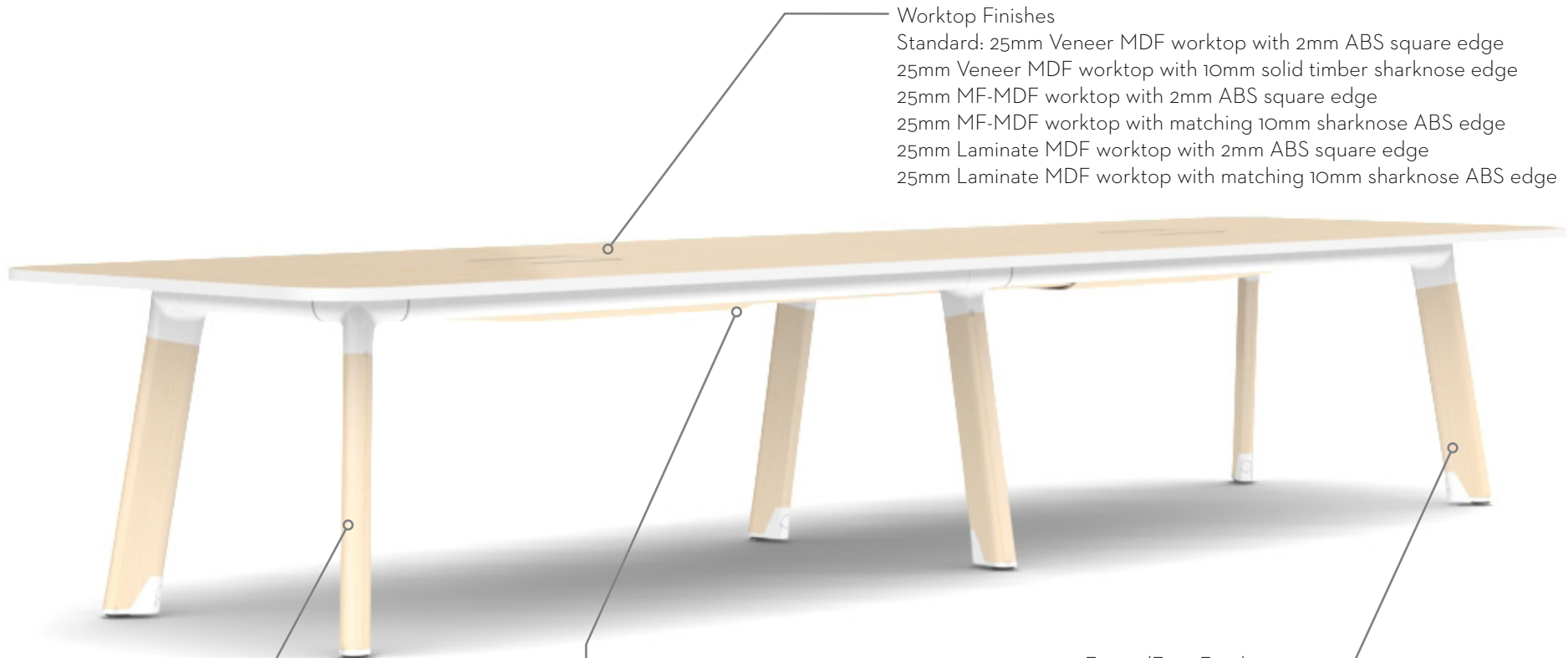
DIVA

TABLES | MEETING



AWM
commercial furniture
& joinery

P: 1300 475 217 | WWW.AWM.NET.AU | SALES@AWM.NET.AU
WORKSTATIONS | DESKING | STORAGE | SEATING | JOINERY | RECEPTIONS



Worktop Finishes

- Standard: 25mm Veneer MDF worktop with 2mm ABS square edge
- 25mm Veneer MDF worktop with 10mm solid timber sharknose edge
- 25mm MF-MDF worktop with 2mm ABS square edge
- 25mm MF-MDF worktop with matching 10mm sharknose ABS edge
- 25mm Laminate MDF worktop with 2mm ABS square edge
- 25mm Laminate MDF worktop with matching 10mm sharknose ABS edge

Diva Timber Legs
 White Ash - Standard
 Premium Stain - to match client sample



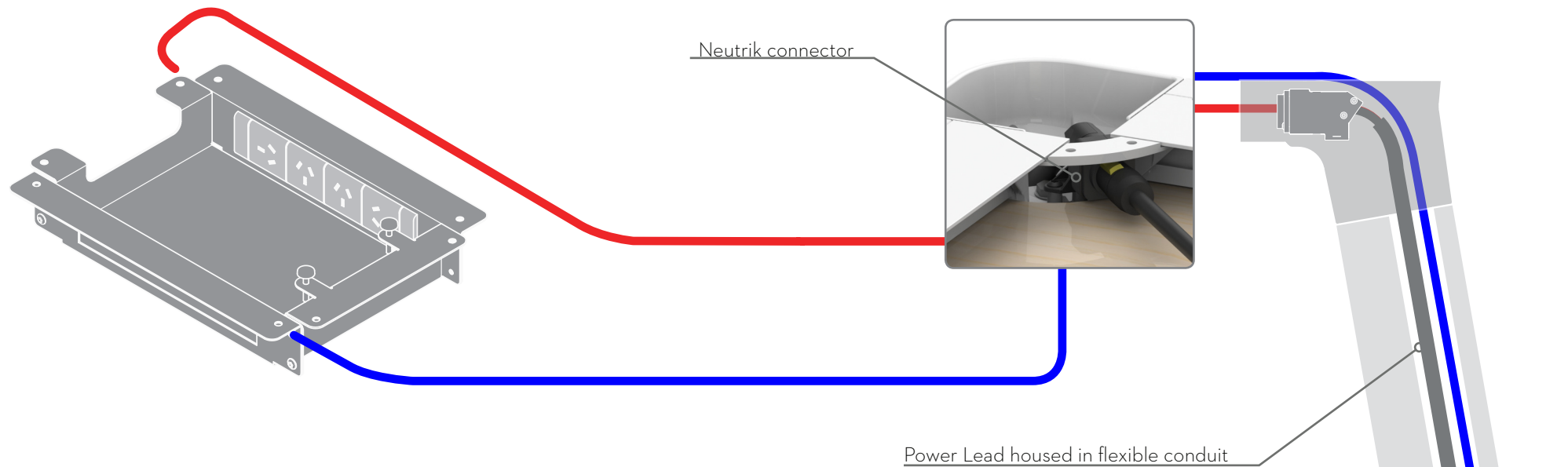
Plywood Undercarriage
 White Ash - Standard
 Premium Stain - to match client sample



Frame/Foot Finish

White - Standard / Black / Quartz Grey / Opal Green /
 Azure Blue / Orient Red / Rose / Lemon Yellow





Specifications

- ❶ Optional power/data leg connects power and data from floor to Seamless Module
- ❷ Neutrik connectors at top and bottom of leg allows for plug-in power
- ❸ Power Lead housed in flexible conduit minimises data interference

Feet:	Finish	Material
Leg	Powdercoat	Aluminium
Frame:	Clear Lacquer	Timber
	Powdercoat	Aluminium

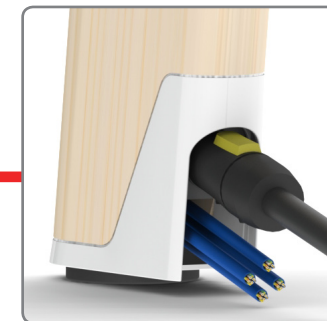
No power through leg detail

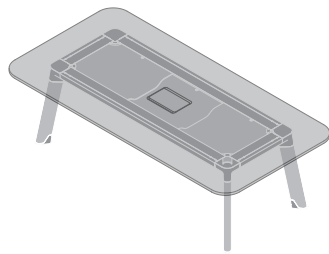


Power only through leg

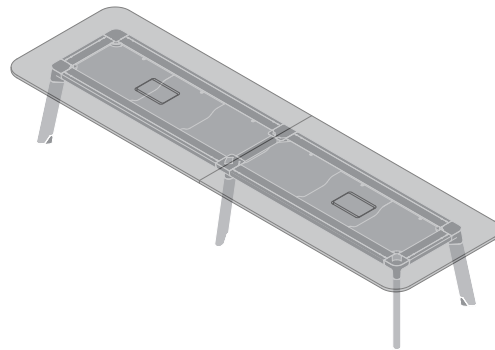


Power + Data through leg

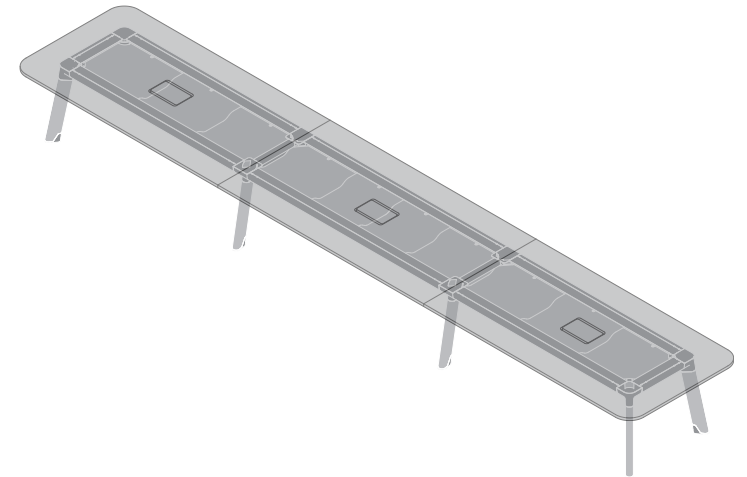




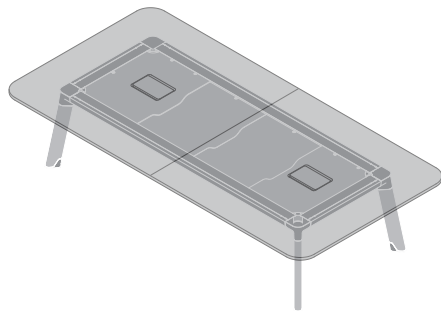
4 Leg - Narrow Rectangle
(to suit width 1200-1400mm)



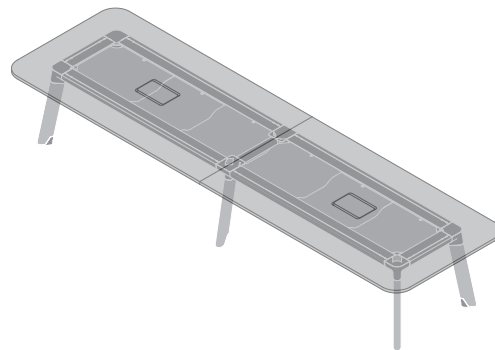
6 Leg - Narrow Rectangle
(to suit width up 1200-1400mm)



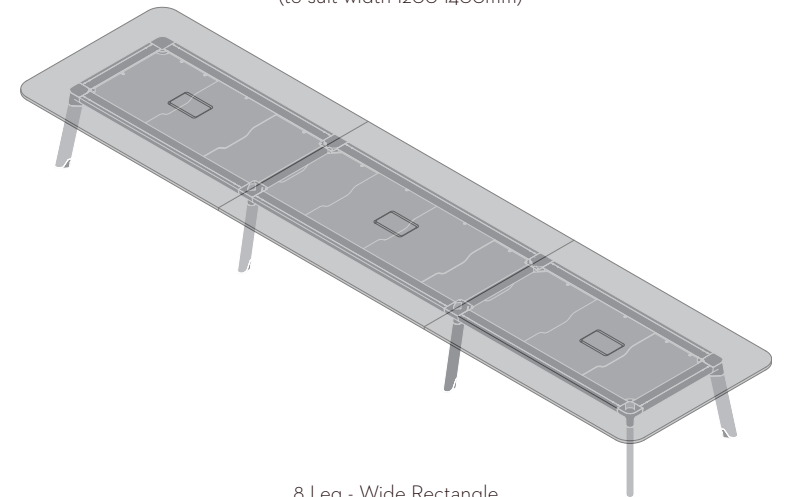
8 Leg - Narrow Rectangle
(to suit width 1200-1400mm)



4 Leg - Wide Rectangle
(to suit width 1401-1800mm)

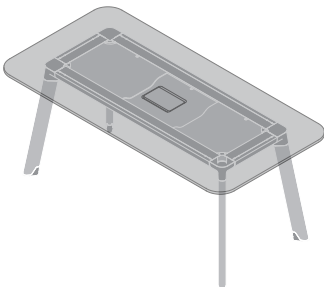


6 Leg - Wide Rectangle
(to suit width 1401-1800mm)

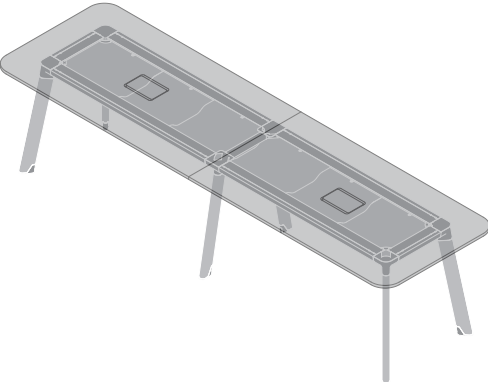


8 Leg - Wide Rectangle
(to suit width 1401-1800mm)

Rectangle Table Styles

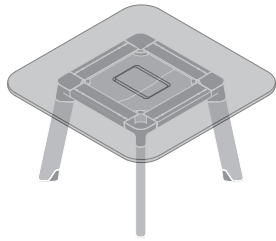


4 Leg - Narrow Rectangle
Standing Height
(to suit width 1200-1400mm)

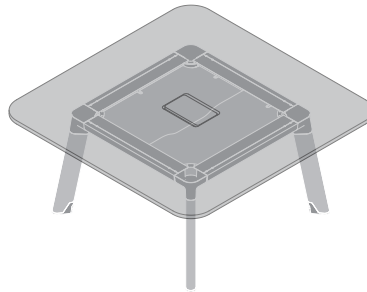


6 Leg - Narrow Rectangle
Standing Height
(to suit width 1200-1400mm)

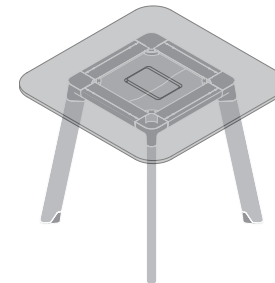
Square Table Styles



4 Leg Square - Small
(to suit 1200-1400mm Square)

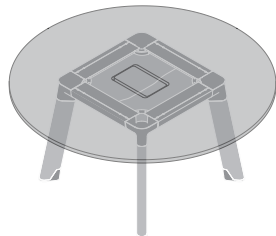


4 Leg Square - Large
(to suit 1401-1800mm Square)

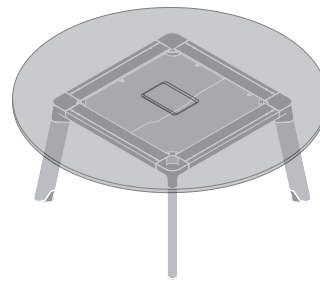


4 Leg Square - Small
Standing Height
(to suit 1200-1400mm Square)

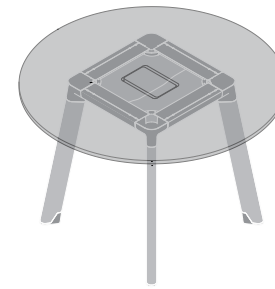
Round Styles



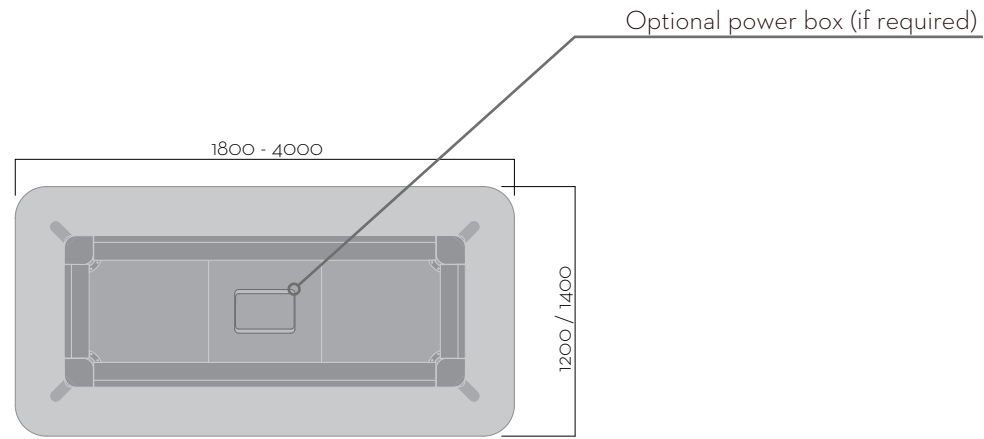
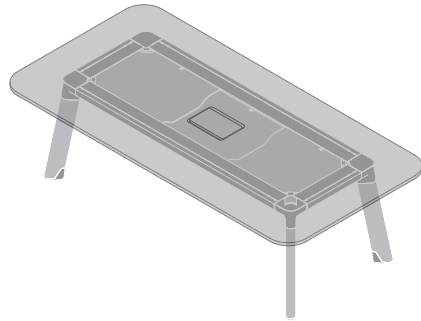
4 Leg Round - Small
(to suit Ø1250mm)



4 Leg Round - Large
(to suit Ø1800mm)



4 Leg Round - Small
Standing Height
(to suit Ø1350 / Ø1500mm)

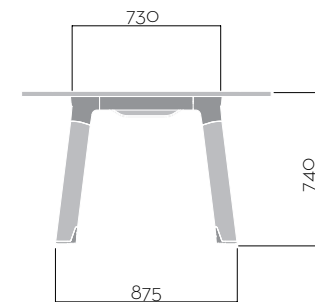
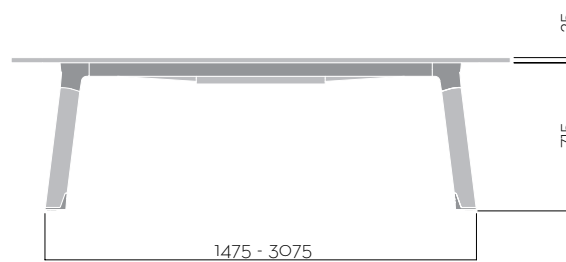


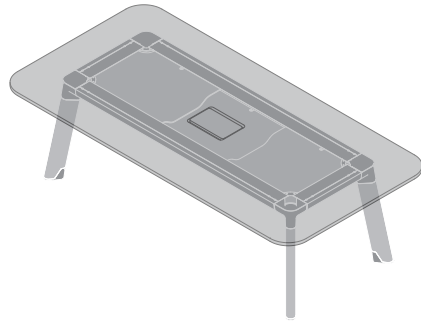
Specifications

Maximum load including worktop 160kg

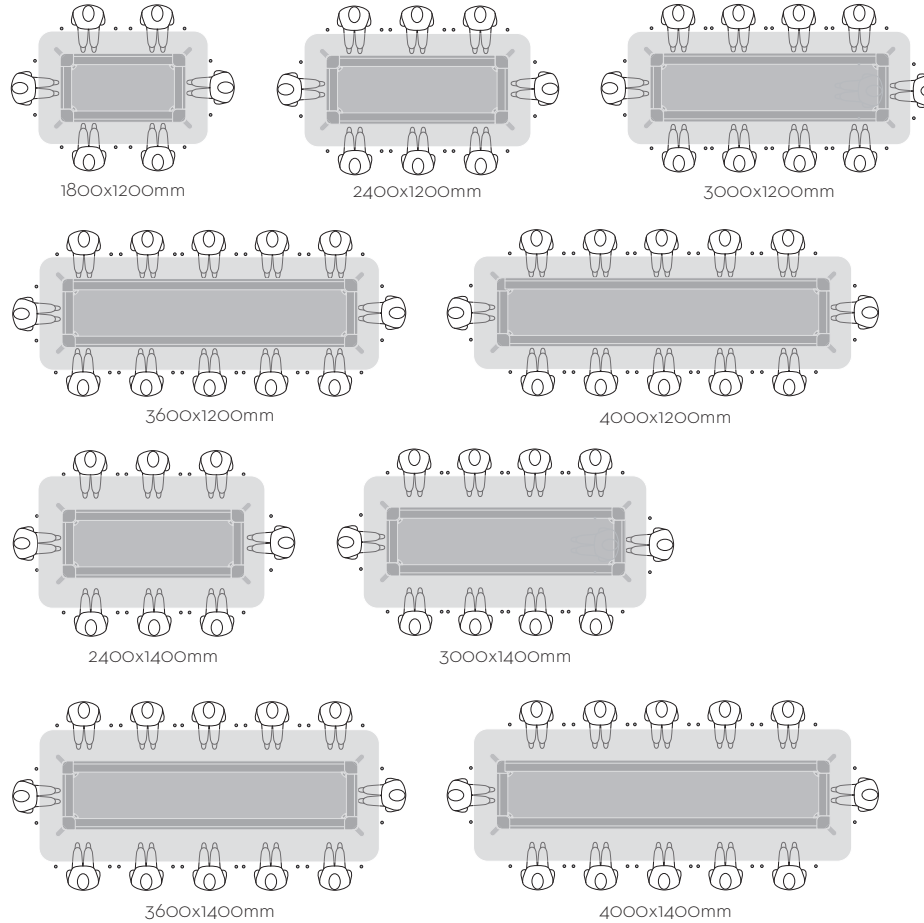
Maximum point load 50kg

	Finish	Material
Feet:	Powdercoat	Aluminium
Leg	Clear Lacquer	Timber
Frame:	Powdercoat	Aluminium
Undercarriage:	Clear Lacquer	Plywood





Standard Sizes

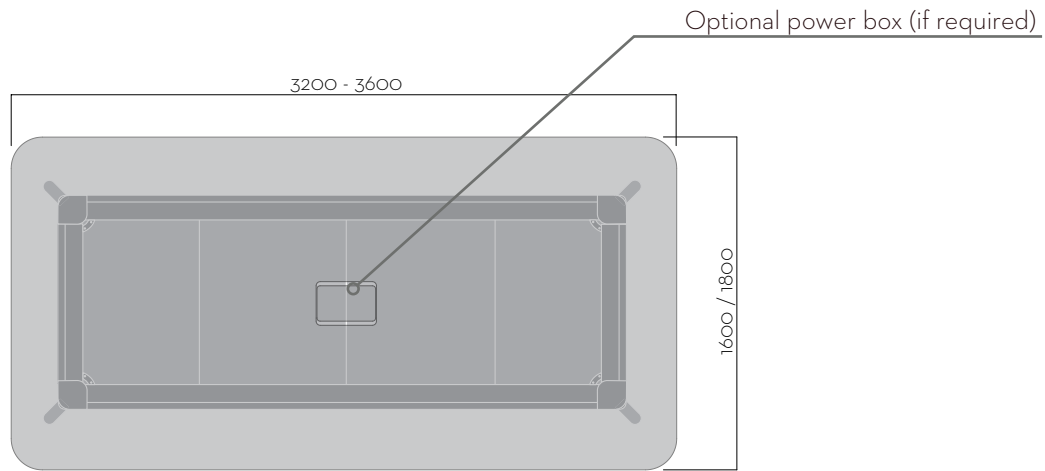
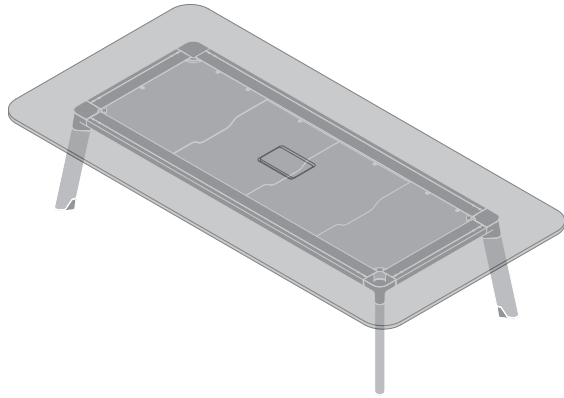


Specifications

Maximum load including worktop 160kg

Maximum point load 50kg

	Finish	Material
Feet:	Powdercoat	Aluminium
Leg	Clear Lacquer	Timber
Frame:	Powdercoat	Aluminium
Undercarriage:	Clear Lacquer	Plywood

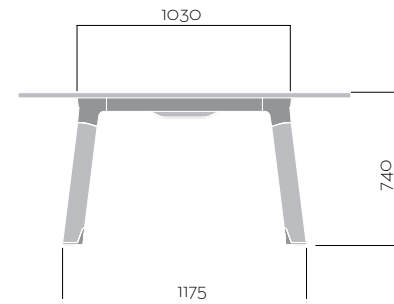
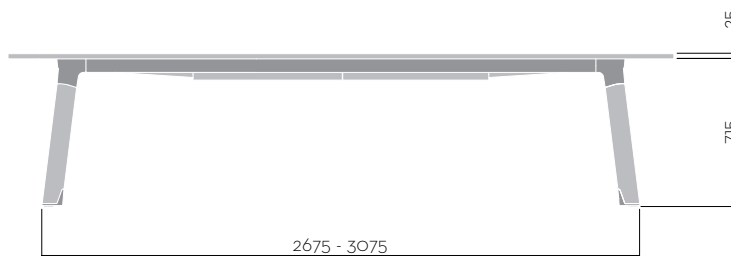


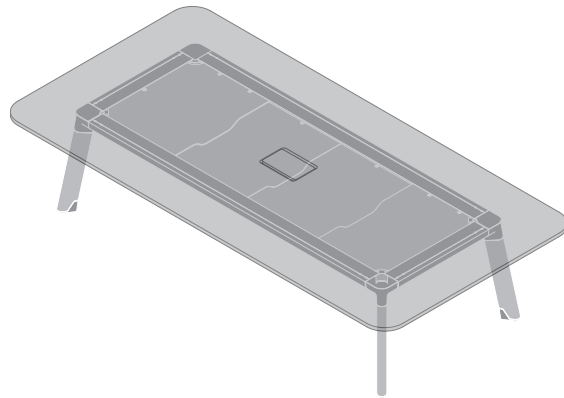
Specifications

Maximum load including worktop 160kg

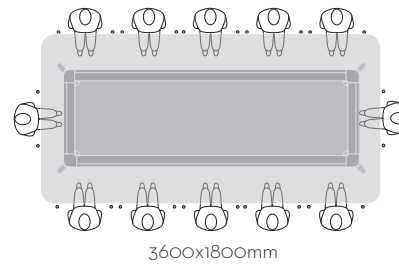
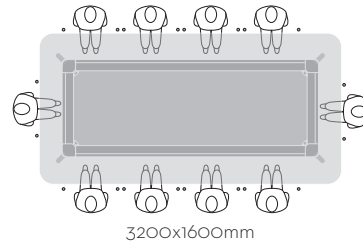
Maximum point load 50kg

	Finish	Material
Feet:	Powdercoat	Aluminium
Leg:	Clear Lacquer	Timber
Frame:	Powdercoat	Aluminium
Undercarriage:	Clear Lacquer	Plywood





Standard Sizes

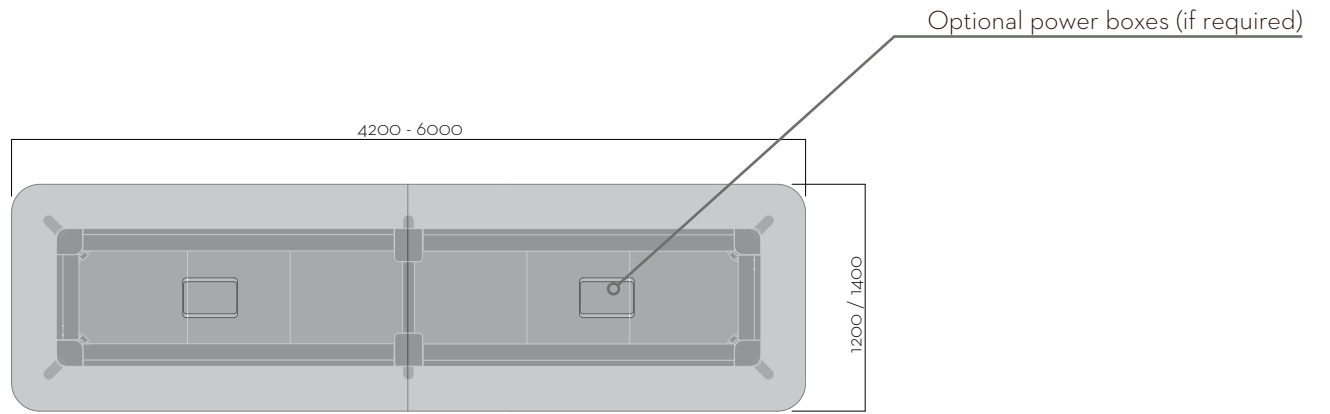
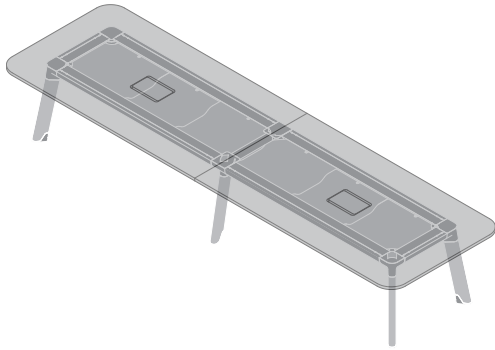


Specifications

Maximum load including worktop 160kg

Maximum point load 50kg

	Finish	Material
Feet:	Powdercoat	Aluminium
Leg	Clear Lacquer	Timber
Frame:	Powdercoat	Aluminium
Undercarriage:	Clear Lacquer	Plywood

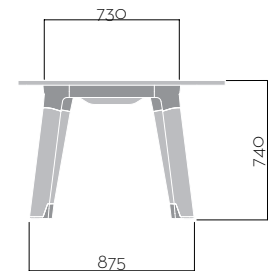
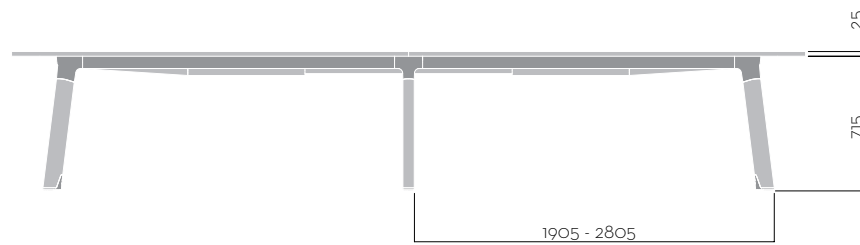


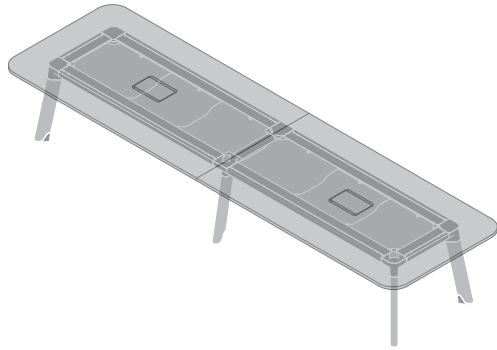
Specifications

Maximum load including worktop 240kg

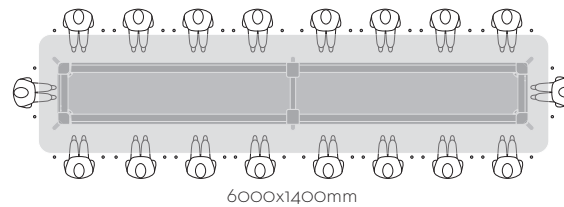
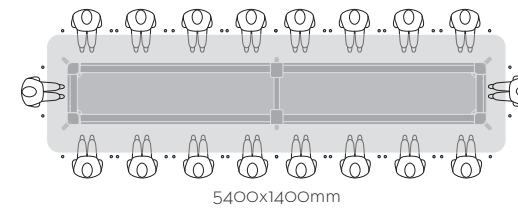
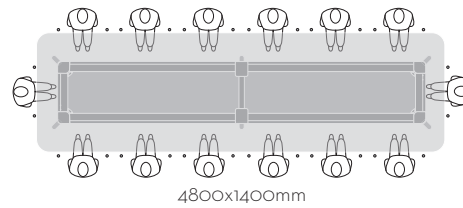
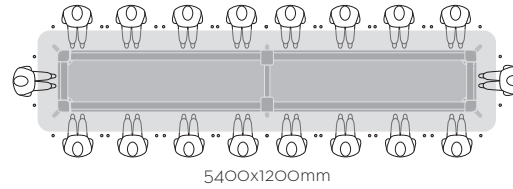
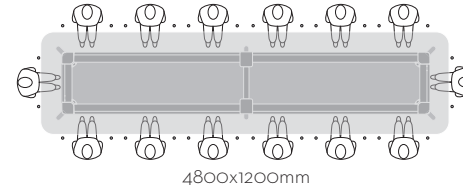
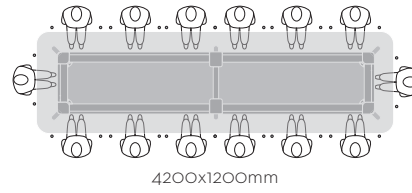
Maximum point load 50kg

	Finish	Material
Feet:	Powdercoat	Aluminium
Leg:	Clear Lacquer	Timber
Frame:	Powdercoat	Aluminium
Undercarriage:	Clear Lacquer	Plywood





Standard Sizes

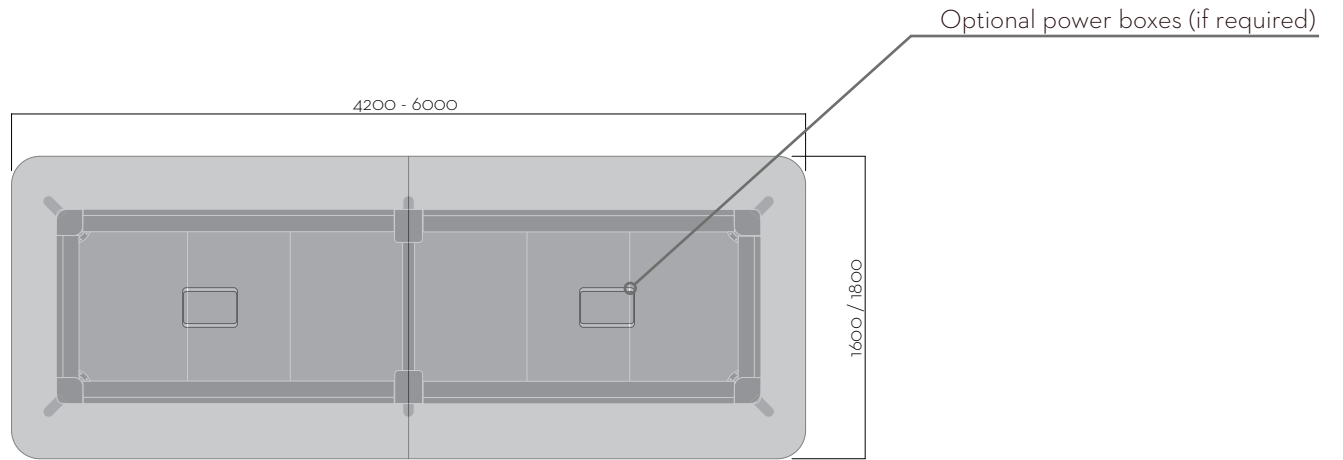
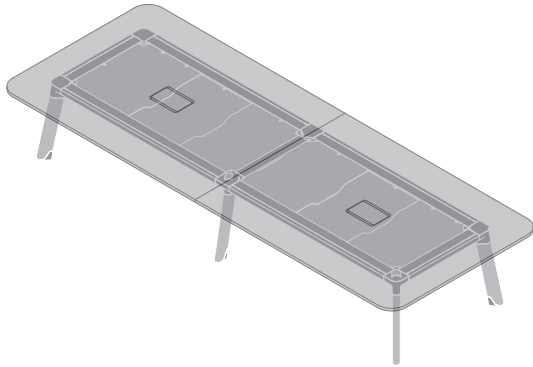


Specifications

Maximum load including worktop 240kg

Maximum point load 50kg

	Finish	Material
Feet:	Powdercoat	Aluminium
Leg	Clear Lacquer	Timber
Frame:	Powdercoat	Aluminium
Undercarriage:	Clear Lacquer	Plywood

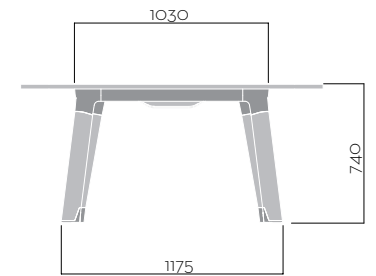
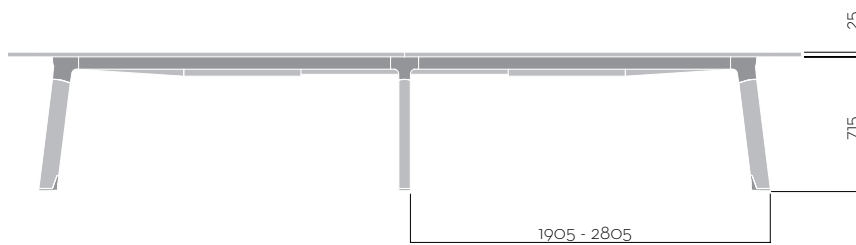


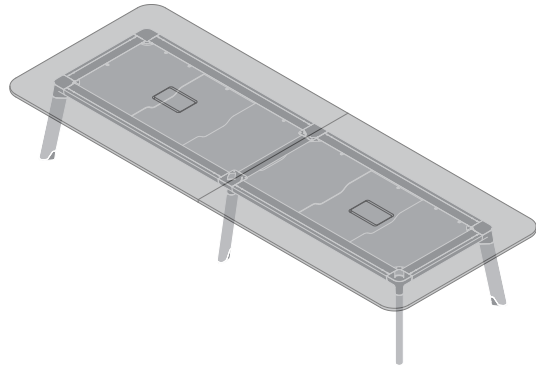
Specifications

Maximum load including worktop 240kg

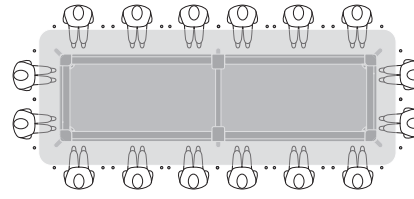
Maximum point load 50kg

	Finish	Material
Feet:	Powdercoat	Aluminium
Leg	Clear Lacquer	Timber
Frame:	Powdercoat	Aluminium
Undercarriage:	Clear Lacquer	Plywood

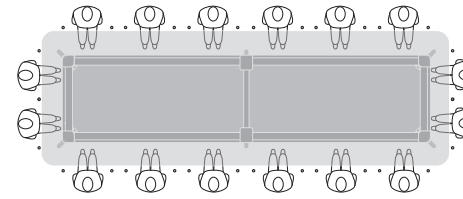




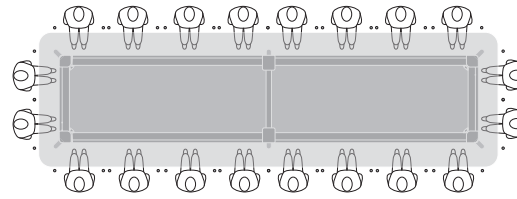
Standard Sizes



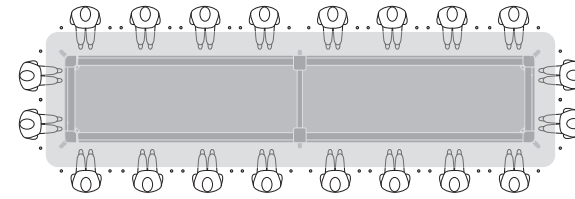
4200x1600mm



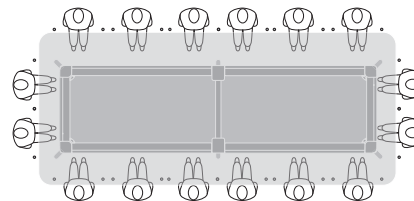
4800x1600mm



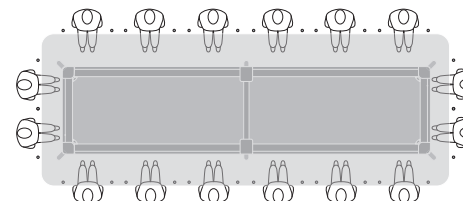
5400x1600mm



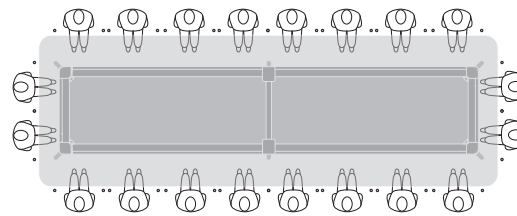
6000x1600mm



4200x1800mm



4800x1800mm



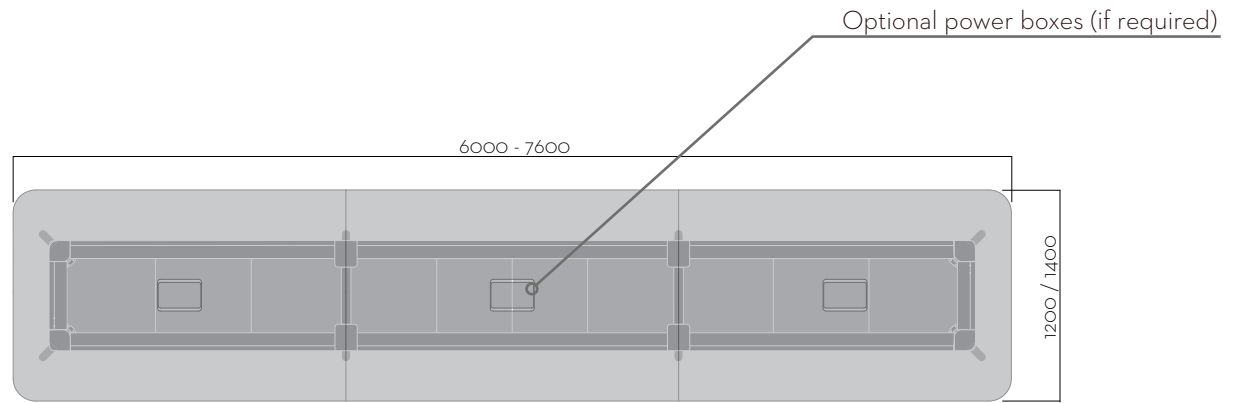
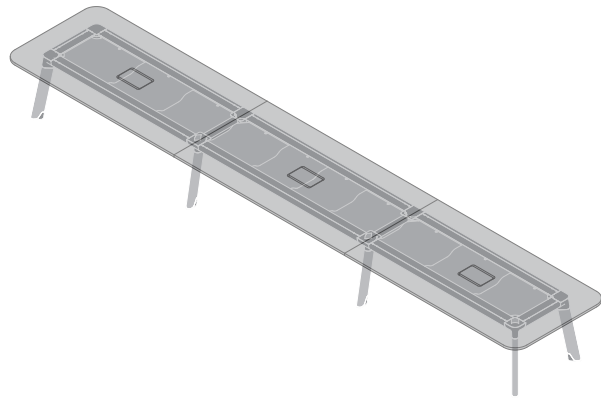
5400x1800mm

Specifications

Maximum load including worktop 240kg

Maximum point load 50kg

Feet:	Finish	Material
Leg	Powdercoat	Aluminium
Frame:	Clear Lacquer	Timber
Undercarriage:	Powdercoat	Aluminium
	Clear Lacquer	Plywood

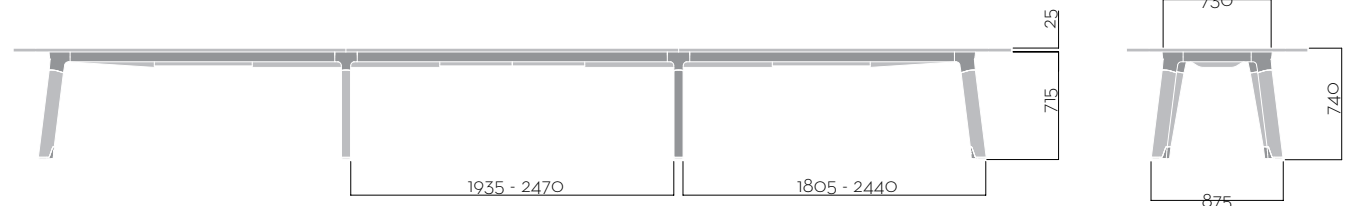


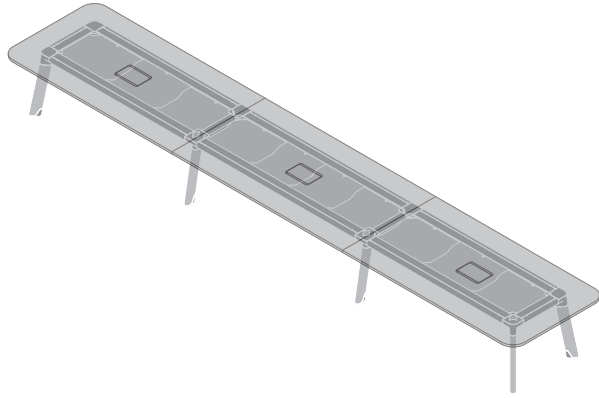
Specifications

Maximum load including worktop 320kg

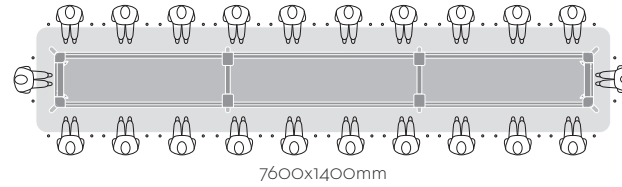
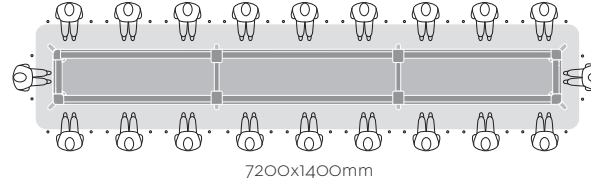
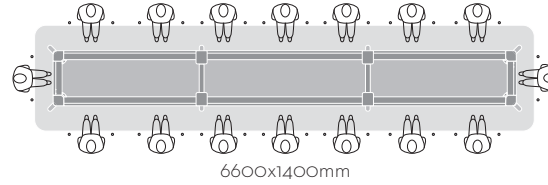
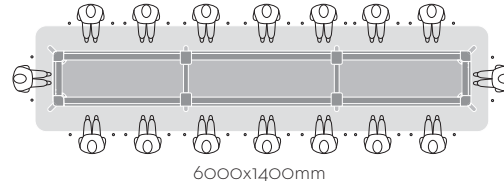
Maximum point load 50kg

	Finish	Material
Feet:	Powdercoat	Aluminium
Leg	Clear Lacquer	Timber
Frame:	Powdercoat	Aluminium
Undercarriage:	Clear Lacquer	Plywood





Standard Sizes

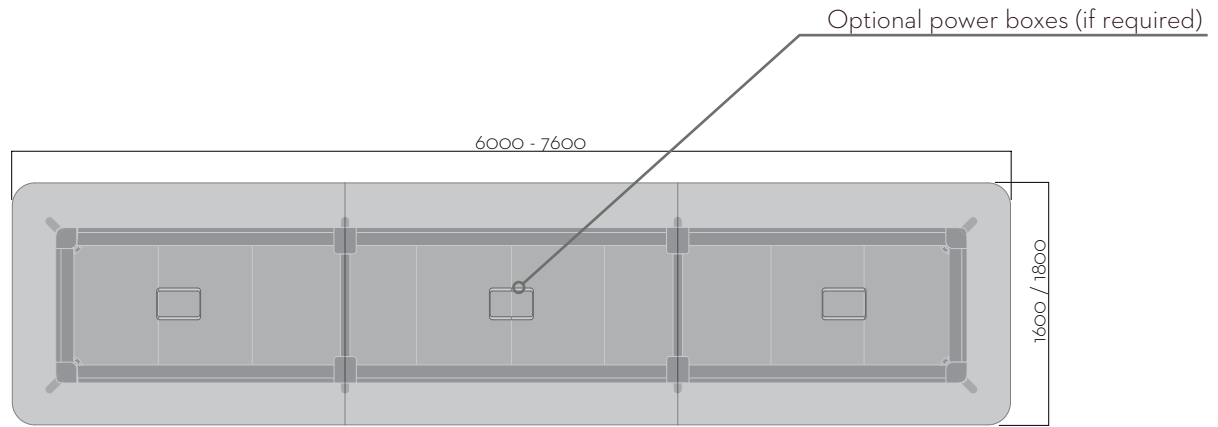
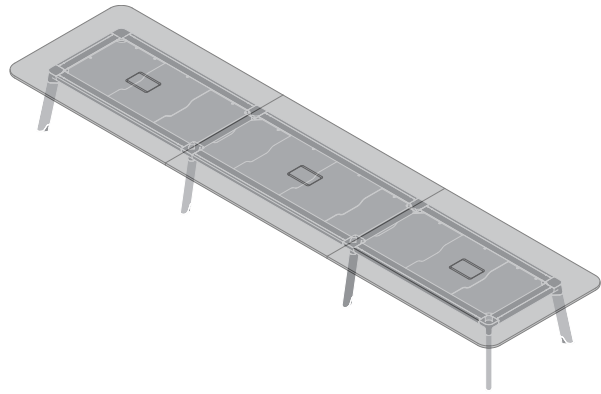


Specifications

Maximum load including worktop 320kg

Maximum point load 50kg

	Finish	Material
Feet:	Powdercoat	Aluminium
Leg	Clear Lacquer	Timber
Frame:	Powdercoat	Aluminium
Undercarriage:	Clear Lacquer	Plywood

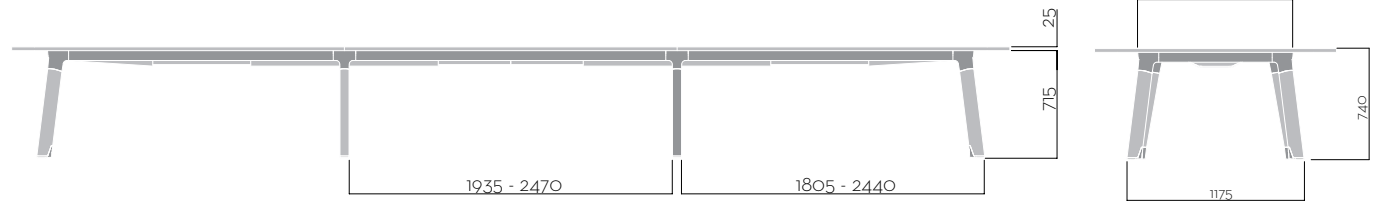


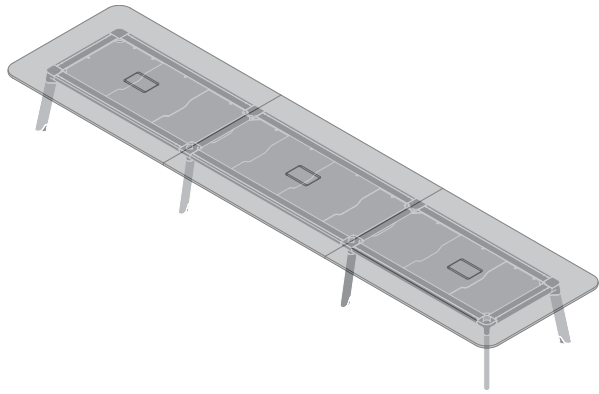
Specifications

Maximum load including worktop 320kg

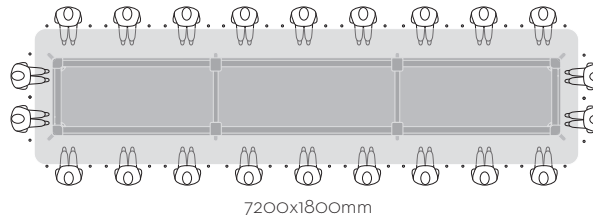
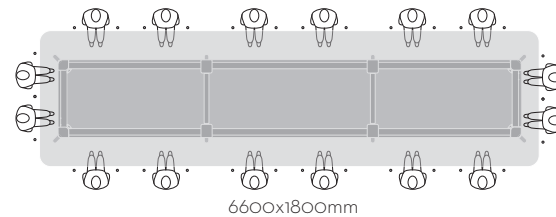
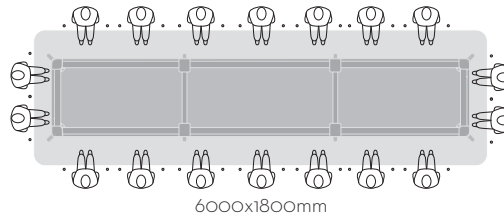
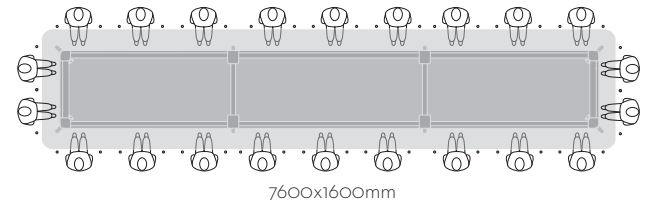
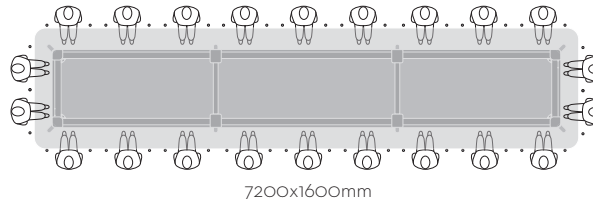
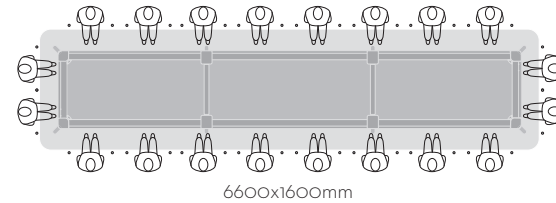
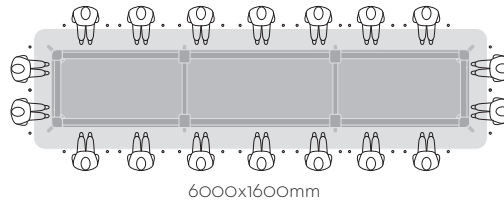
Maximum point load 50kg

	Finish	Material
Feet:	Powdercoat	Aluminium
Leg	Clear Lacquer	Timber
Frame:	Powdercoat	Aluminium
Undercarriage:	Clear Lacquer	Plywood





Standard Sizes

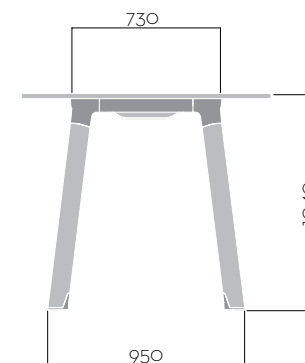
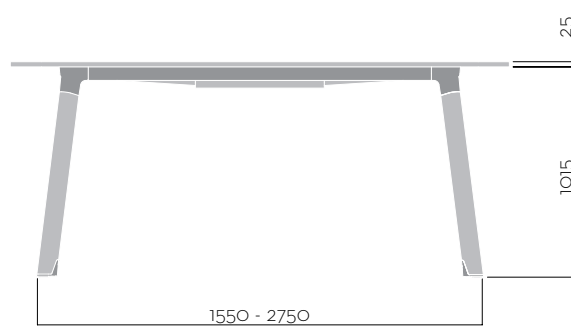
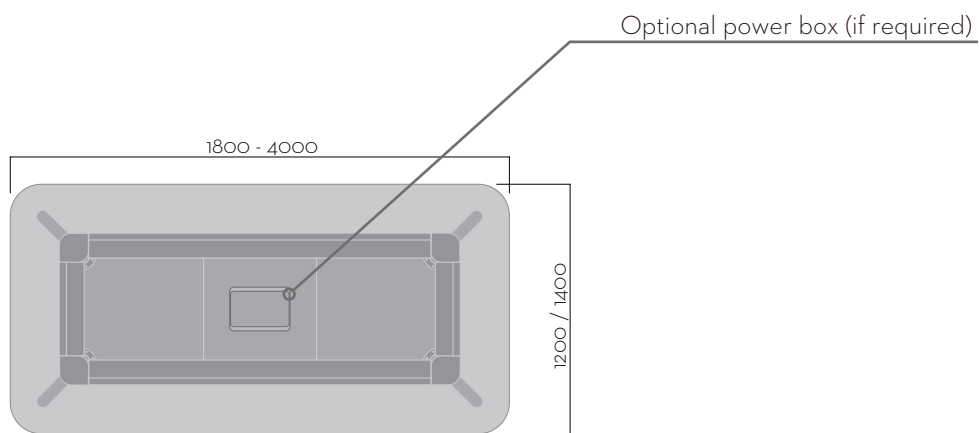
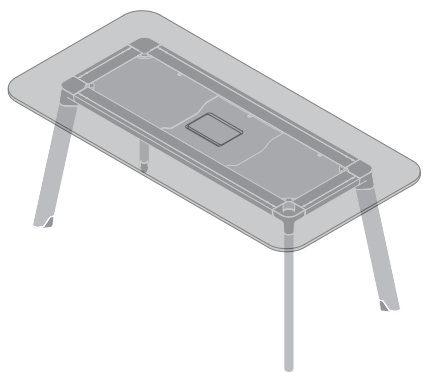


Specifications

Maximum load including worktop 320kg

Maximum point load 50kg

	Finish	Material
Feet:	Powdercoat	Aluminium
Leg	Clear Lacquer	Timber
Frame:	Powdercoat	Aluminium
Undercarriage:	Clear Lacquer	Plywood

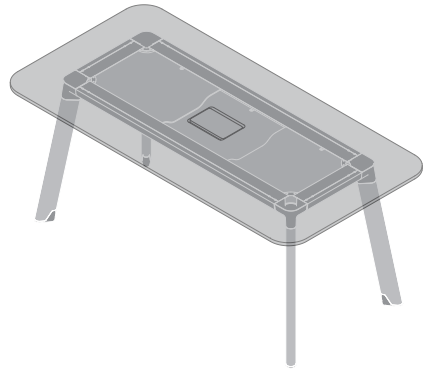


Specifications

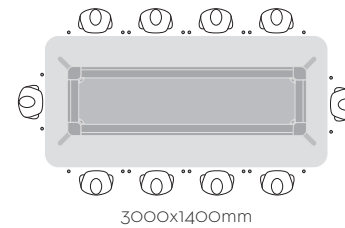
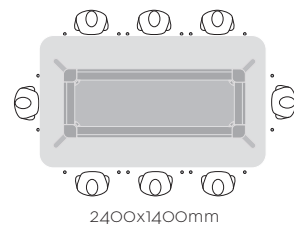
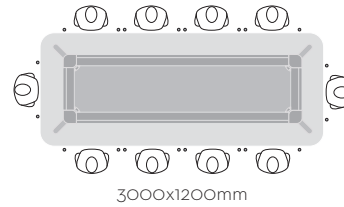
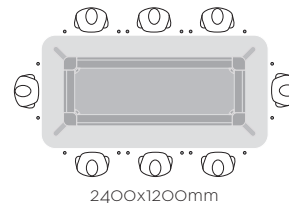
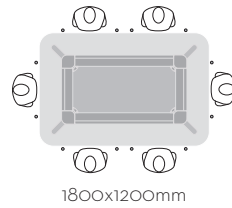
Maximum load including worktop 160kg

Maximum point load 50kg

	Finish	Material
Feet:	Powdercoat	Aluminium
Leg	Clear Lacquer	Timber
Frame:	Powdercoat	Aluminium
Undercarriage:	Clear Lacquer	Plywood



Standard Sizes

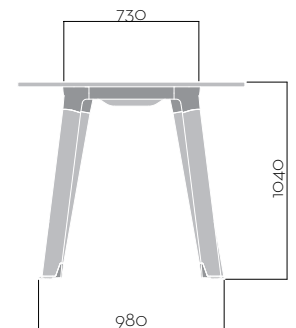
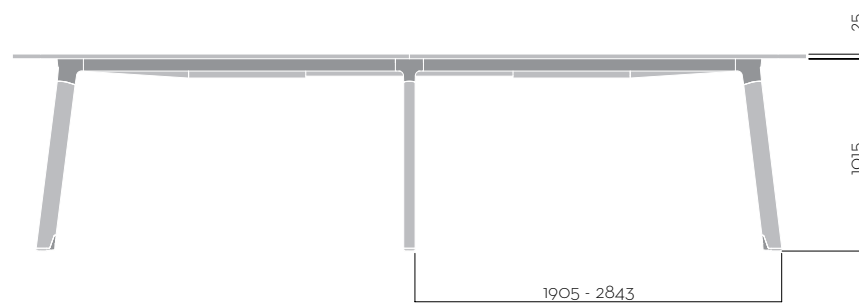
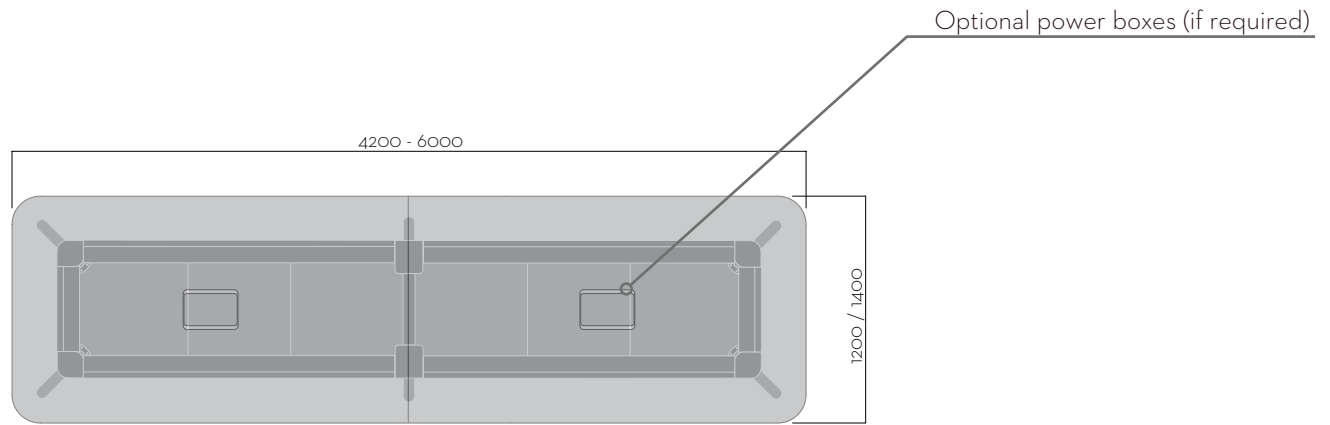
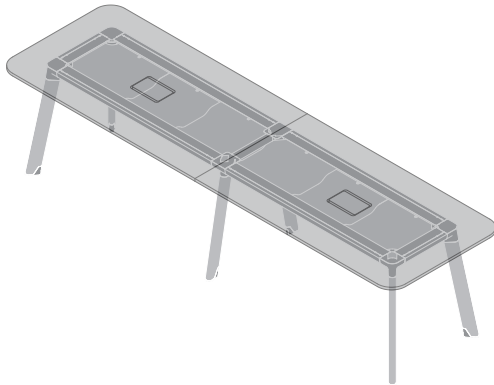


Specifications

Maximum load including worktop 160kg

Maximum point load 50kg

	Finish	Material
Feet:	Powdercoat	Aluminium
Leg	Clear Lacquer	Timber
Frame:	Powdercoat	Aluminium
Undercarriage:	Clear Lacquer	Plywood

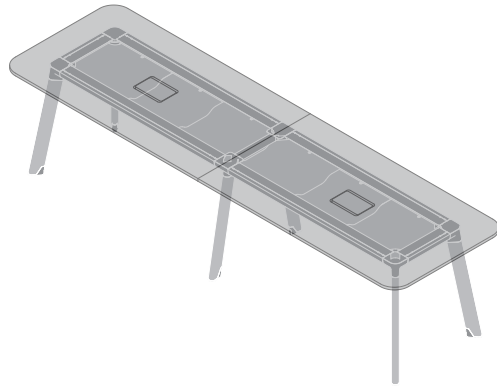


Specifications

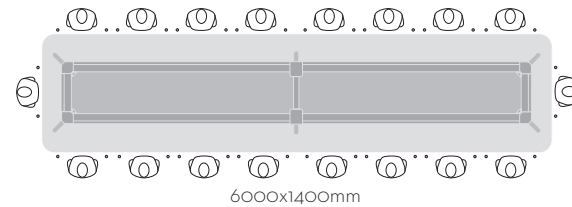
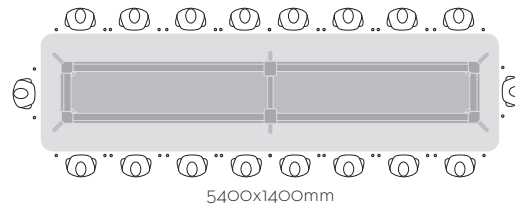
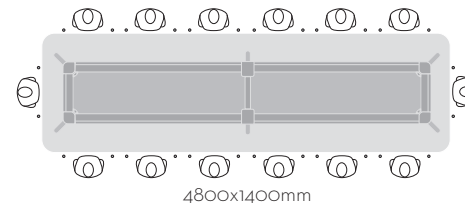
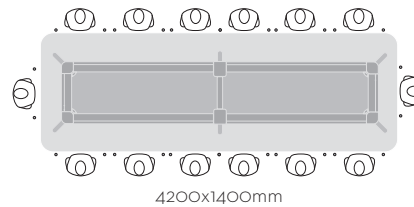
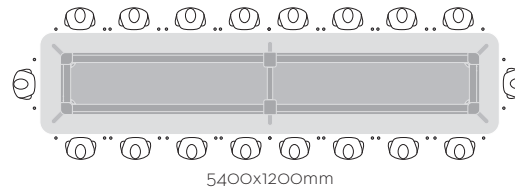
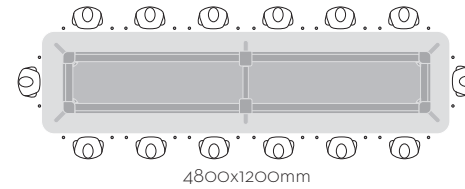
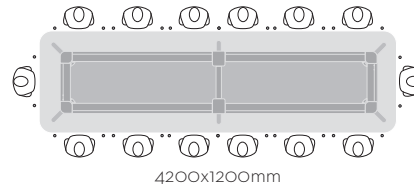
Maximum load including worktop 240kg

Maximum point load 50kg

	Finish	Material
Feet:	Powdercoat	Aluminium
Leg	Clear Lacquer	Timber
Frame:	Powdercoat	Aluminium
Undercarriage:	Clear Lacquer	Plywood



Standard Sizes

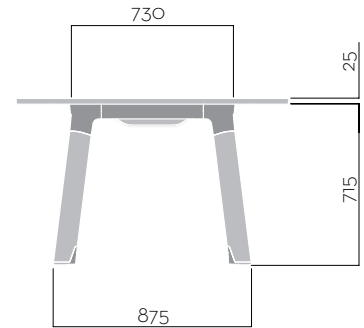
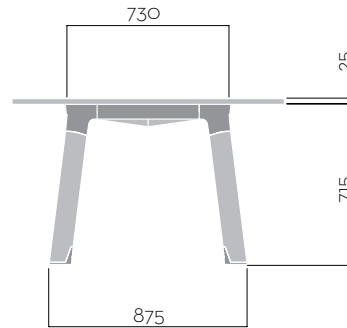
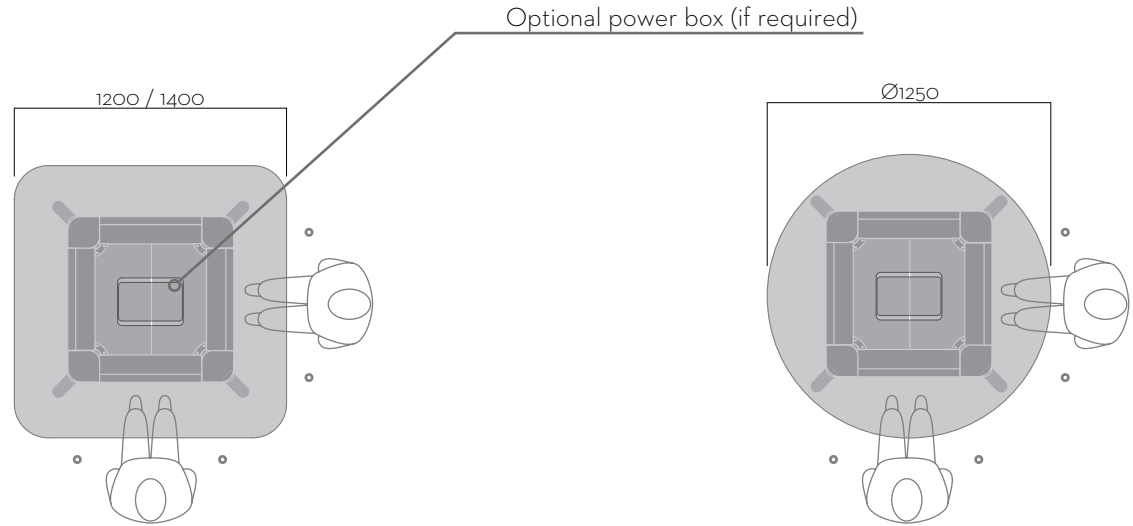
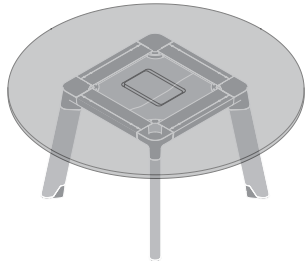
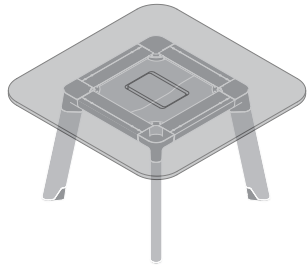


Specifications

Maximum load including worktop 240kg

Maximum point load 50kg

	Finish	Material
Feet:	Powdercoat	Aluminium
Leg	Clear Lacquer	Timber
Frame:	Powdercoat	Aluminium
Undercarriage:	Clear Lacquer	Plywood

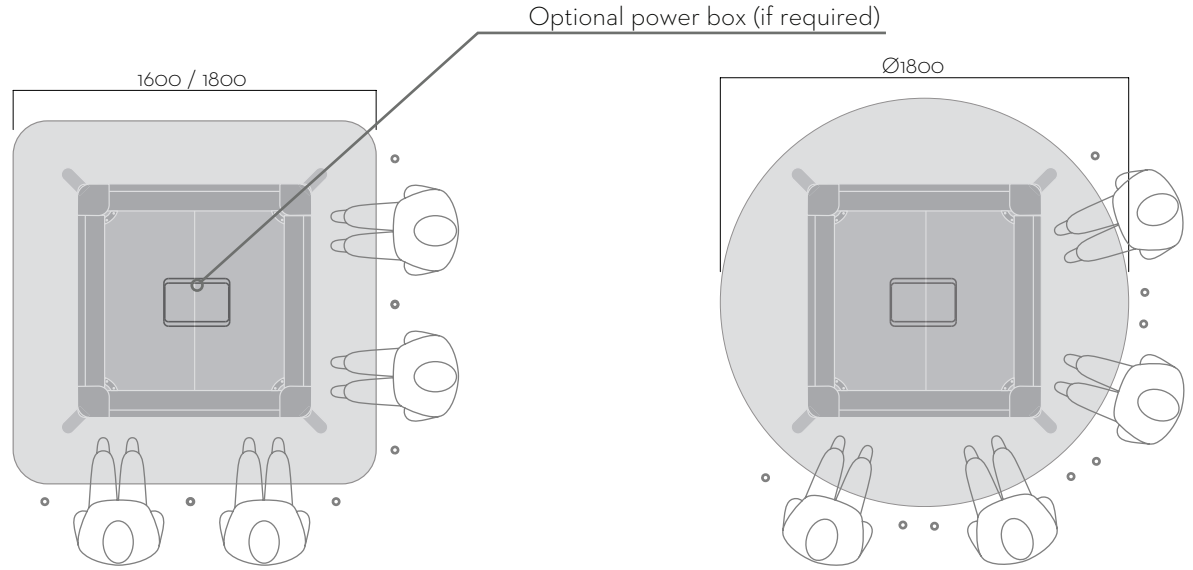
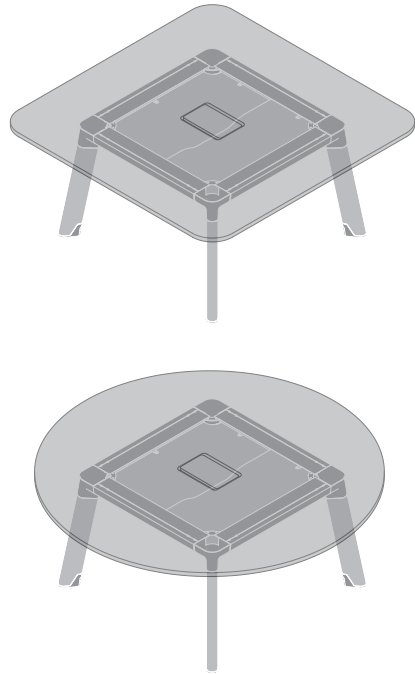


Specifications

Maximum load including worktop 160kg

Maximum point load 50kg

	Finish	Material
Feet:	Powdercoat	Aluminium
Leg	Clear Lacquer	Timber
Frame:	Powdercoat	Aluminium
Undercarriage:	Clear Lacquer	Plywood

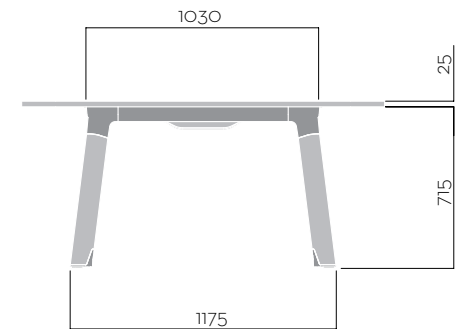
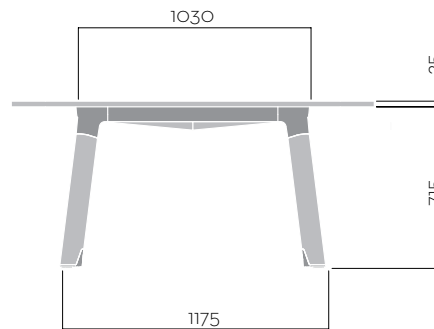


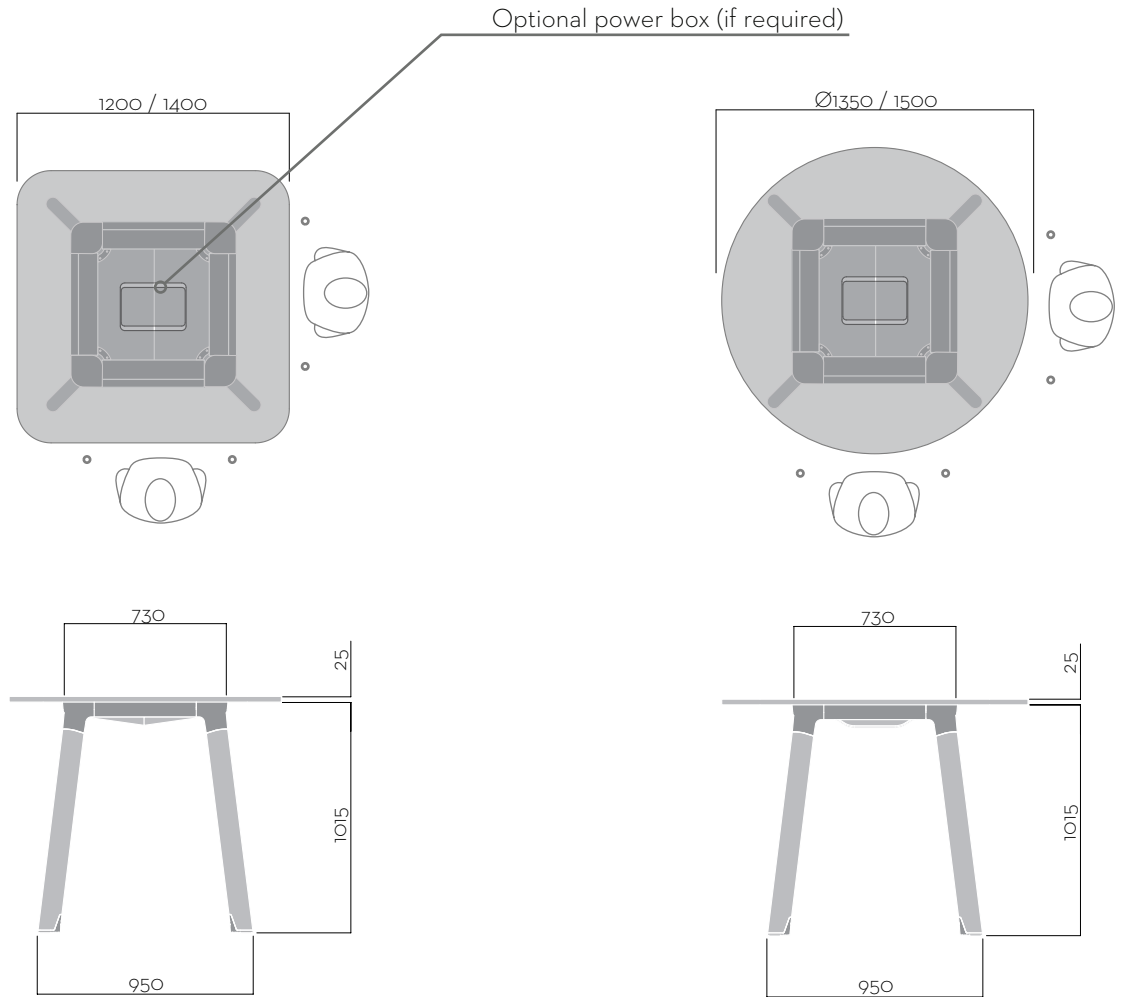
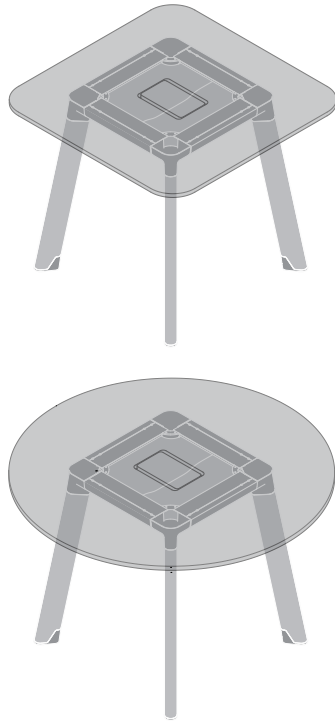
Specifications

Maximum load including worktop 160kg

Maximum point load 50kg

	Finish	Material
Feet:	Powdercoat	Aluminium
Leg	Clear Lacquer	Timber
Frame:	Powdercoat	Aluminium
Undercarriage:	Clear Lacquer	Plywood



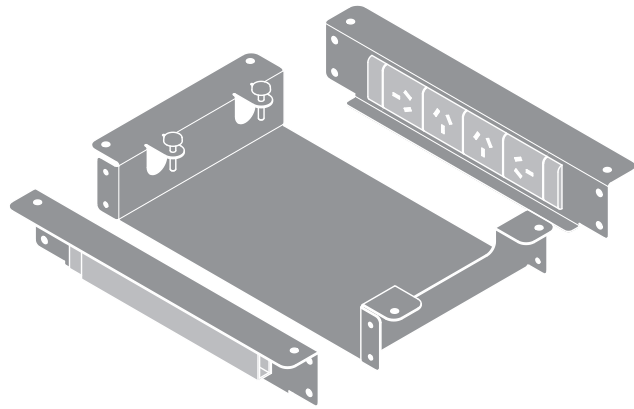


Specifications

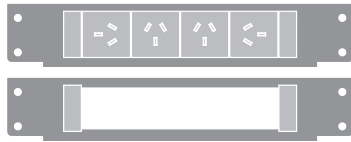
Maximum load including worktop 160kg

Maximum point load 50kg

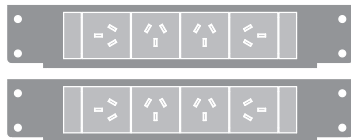
	Finish	Material
Feet:	Powdercoat	Aluminium
Leg	Clear Lacquer	Timber
Frame:	Powdercoat	Aluminium
Undercarriage:	Clear Lacquer	Plywood



Option 1:
4x GPO - Type I*
200mm Data Provision



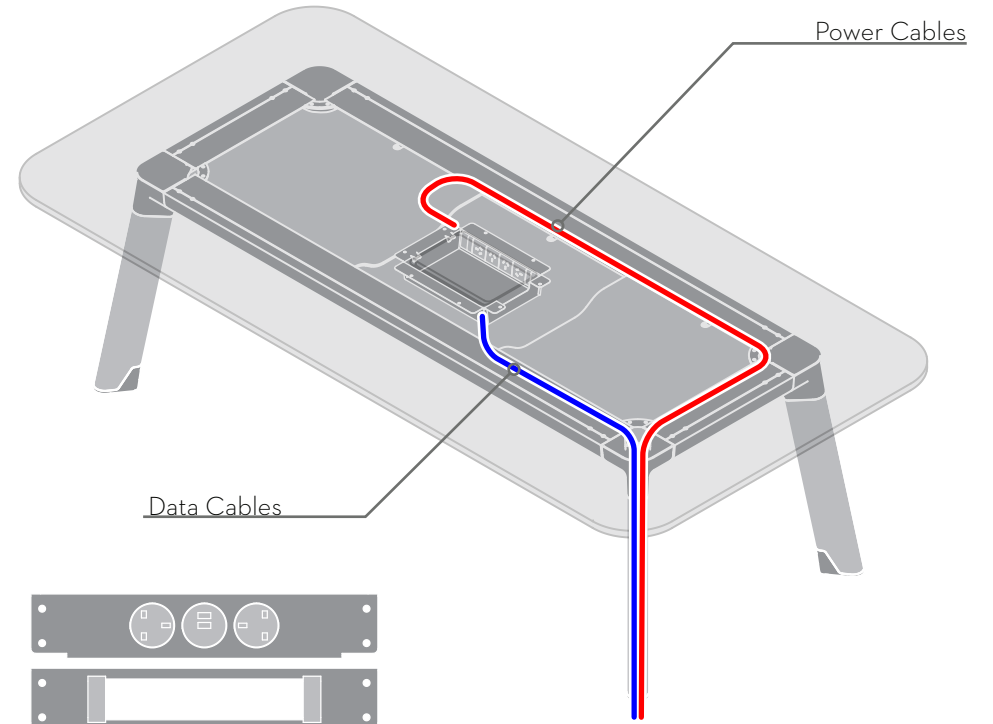
Option 2:
8x GPO - Type I*



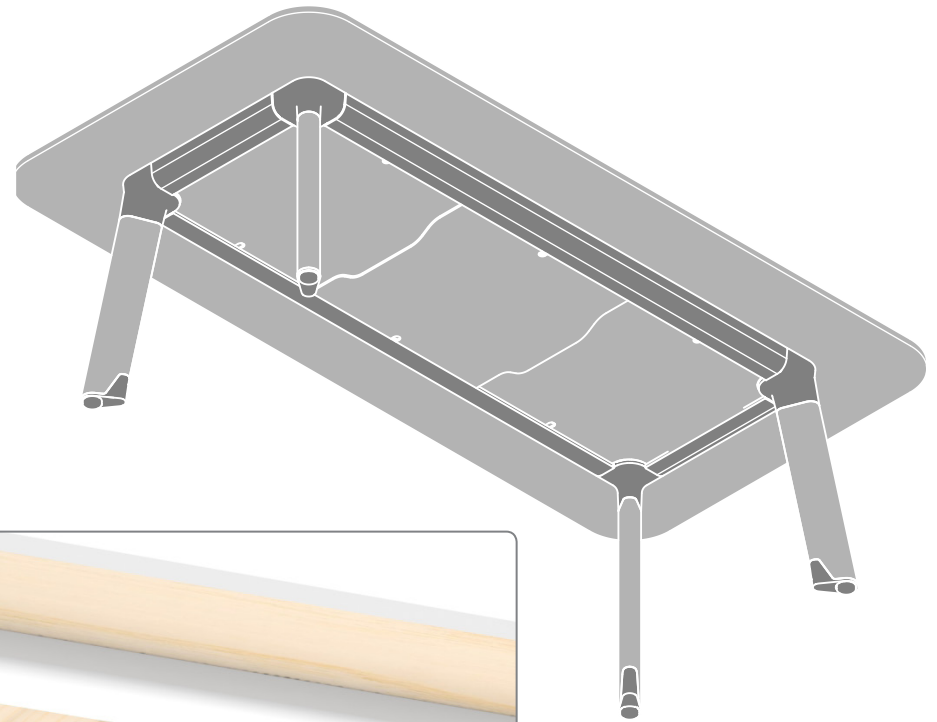
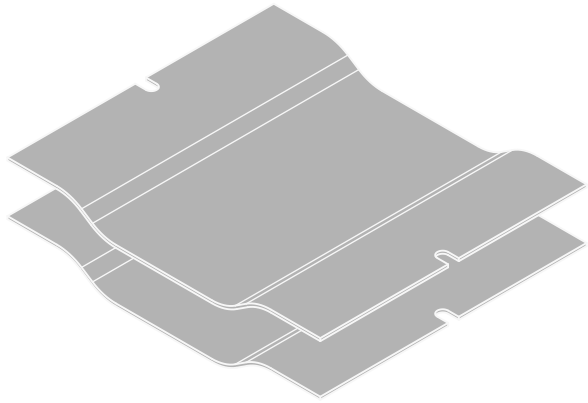
Option 3:
2x GPO - Type G**
2x USB Power
200mm Data Provision



Option 4:
4x GPO - Type G**
4x USB Power
200mm Data Provision

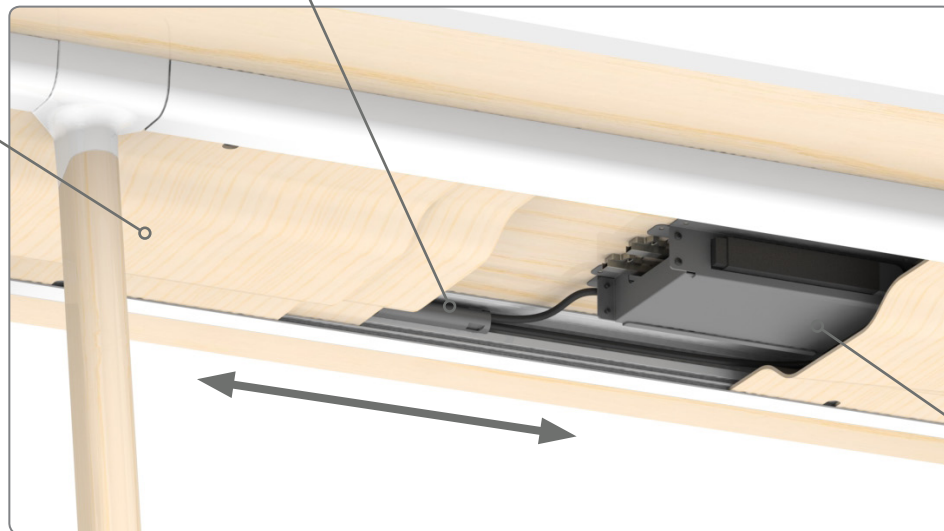


* Type I - to suit Australia/NZ/China
** Type G - to suit UK/HK/Malaysia/Singapore



Undercarriage panel

Cable clip



Seamless Power Module

Specifications

- ① Overlapping panels conceal power leads/boxes
- ② Additional cable management clips available