



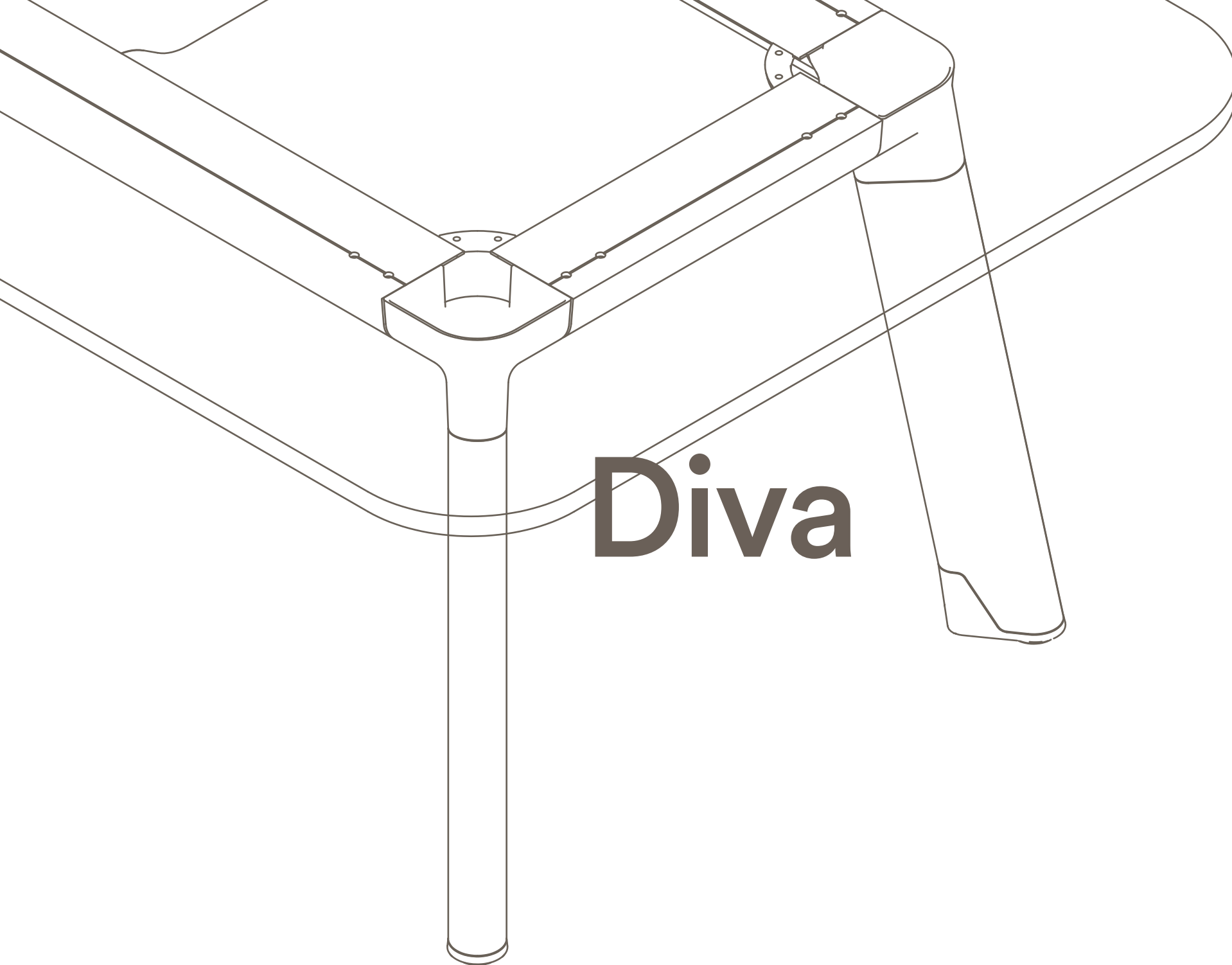
# Divva

Specification Guide

# Diva

There's more than meets the eye.

Go beyond the striking wooden exterior and discover a host of ingenious design elements, each cleverly concealed within the solid timber build and die cast aluminium features.



**Diva**

# Diva Finishes

Commanding attention yet yielding to workplace practicalities, Diva blends style and substance with ease, offering a range of finishes and configurations to suit any office space.

## 1. Tops

25mm commercial Melamine, Laminate or Veneer worktops. Square or Sharknose ABS or Solid Timber Edging.



## 2. Legs

Diva legs are made from Timber. Ash comes as standard. We offer premium finishes of Solid Walnut and solid colour with exposed timber grain in Black or White.



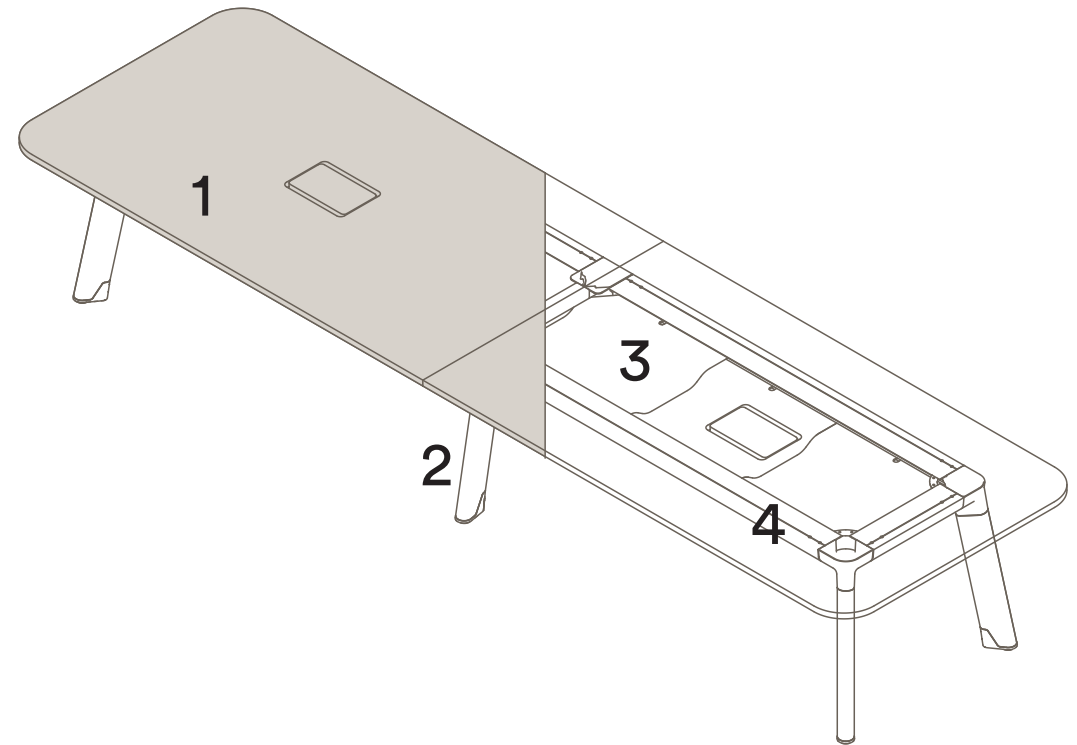
## 3. Undercarriage

The Diva undercarriages are made from moulded plywood. Ash veneer comes as standard. We also offer Black solid colour with exposed timber grain.



## 4. Frame Finishes

Diva aluminium frame is available in our current season powdercoat colours listed. Custom colours are also available.



Colours are representative only, please check with your Thinking Works consultant to view samples of any specific colour.

# Tables Round

## Materials Information

### Legs

Timber Legs

- a. Ash - Standard
- b. Walnut
- c. Black solid colour with timber grain
- d. White solid colour with timber grain

### Frame Finish

Aluminium Frame

- a. Zanilla
- b. Pink Salt
- c. Nocturenelle
- d. Minted
- e. Scotland Sky
- f. Green Smoke
- g. Folie
- h. Axel
- i. Blanc
- j. Noir

### Undercarriage

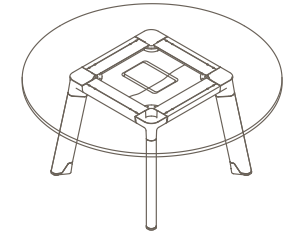
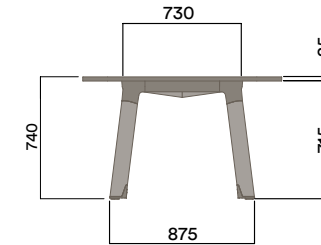
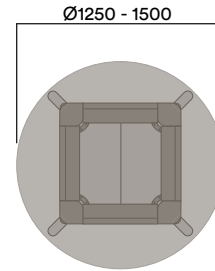
Plywood undercarriage

- a. Ash - Standard
- b. Black solid colour with timber grain

Maximum inc. worktop 80kg  
 Maximum Point Load 50kg  
 Seats 2-6

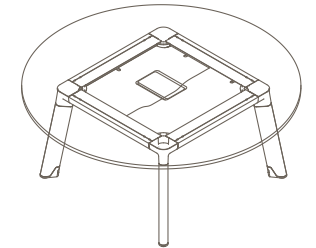
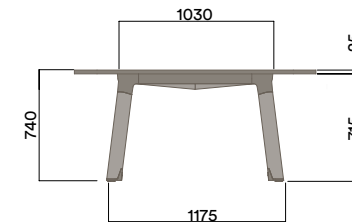
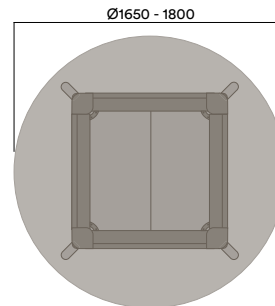
## 4 Leg Small

### 740 (standard height)



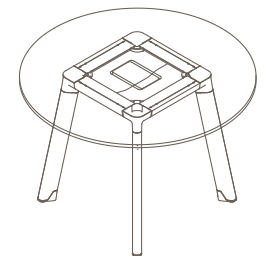
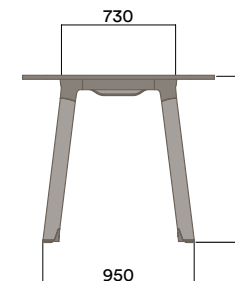
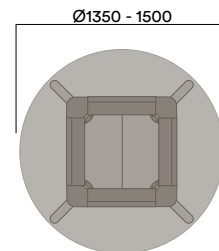
## 4 Leg Large

### 740 (standard height)



## 4 Leg Small

### 1050 (standing height)



# Tables Square

## Materials Information

### Legs

Timber Legs

- a. Ash - Standard
- b. Walnut
- c. Black solid colour with timber grain
- d. White solid colour with timber grain

### Frame Finish

Aluminium Frame

- a. Zanilla
- b. Pink Salt
- c. Nocturenelle
- d. Minted
- e. Scotland Sky
- f. Green Smoke
- g. Folie
- h. Axel
- i. Blanc
- j. Noir

### Undercarriage

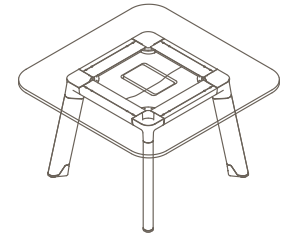
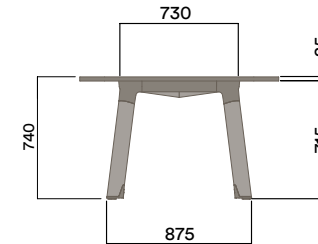
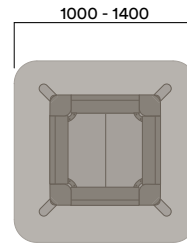
Plywood undercarriage

- a. Ash - Standard
- b. Black solid colour with timber grain

Maximum inc. worktop 80kg  
 Maximum Point Load 50kg  
 Seats 2-6

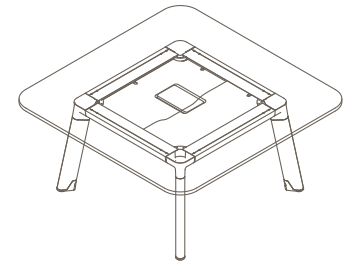
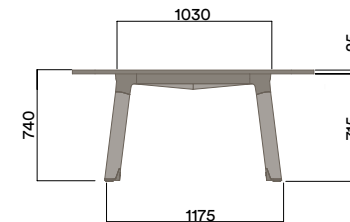
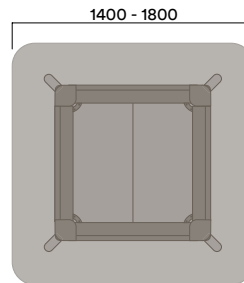
## 4 Leg Small

740 (standard height)



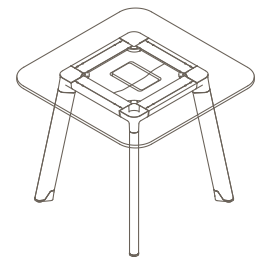
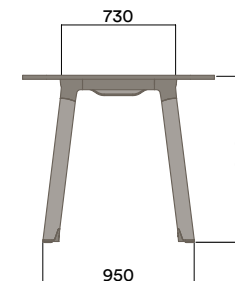
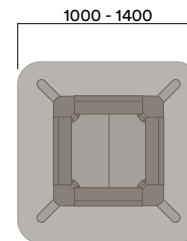
## 4 Leg Large

740 (standard height)



## 4 Leg Small

1050 (standing height)



# Tables

## Rectangle

### Materials Information

#### Legs

Timber Legs

- a. Ash - Standard
- b. Walnut
- c. Black solid colour with timber grain
- d. White solid colour with timber grain

#### Frame Finish

Aluminium Frame

- a. Zanilla
- b. Pink Salt
- c. Nocturenelle
- d. Minted
- e. Scotland Sky
- f. Green Smoke
- g. Folie
- h. Axel
- i. Blanc
- j. Noir

#### Undercarriage

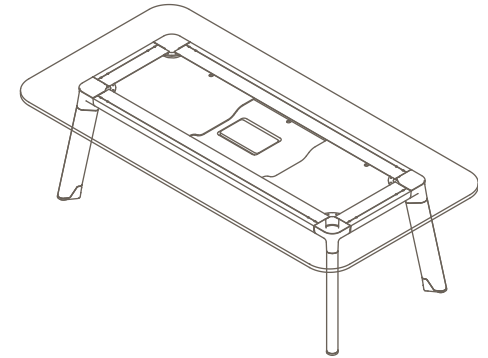
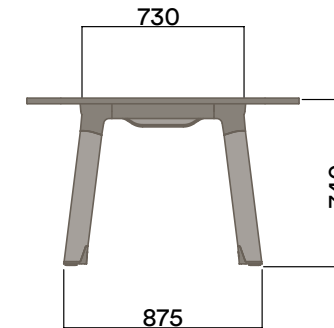
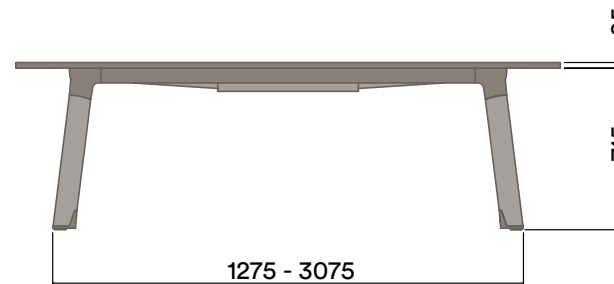
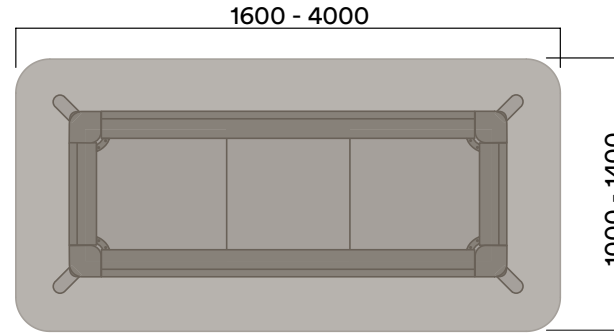
Plywood undercarriage

- a. Ash - Standard
- b. Black solid colour with timber grain

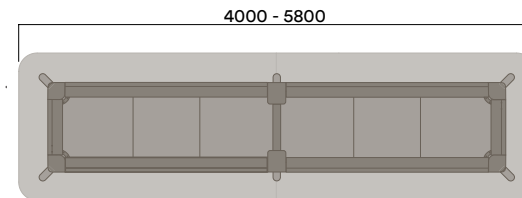
Maximum inc. worktop 160kg  
 Maximum Point Load 50kg  
 Seats 4-22

### 4 Leg Narrow

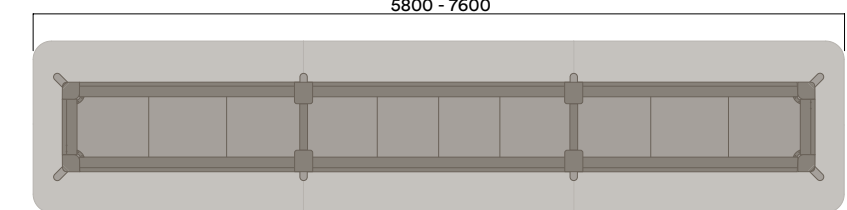
740 (standard height)



### 6 Leg Narrow



### 8 Leg Narrow



# Tables

## Rectangle

### Materials Information

#### Legs

Timber Legs

- a. Ash - Standard
- b. Walnut
- c. Black solid colour with timber grain
- d. White solid colour with timber grain

#### Frame Finish

Aluminium Frame

- a. Zanilla
- b. Pink Salt
- c. Nocturenelle
- d. Minted
- e. Scotland Sky
- f. Green Smoke
- g. Folie
- h. Axel
- i. Blanc
- j. Noir

#### Undercarriage

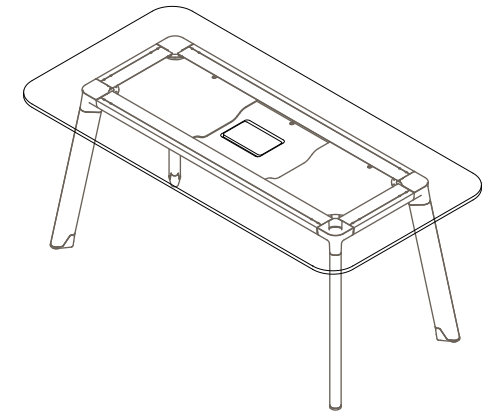
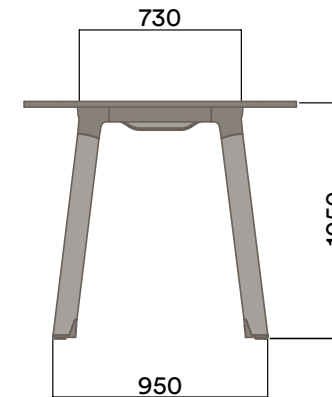
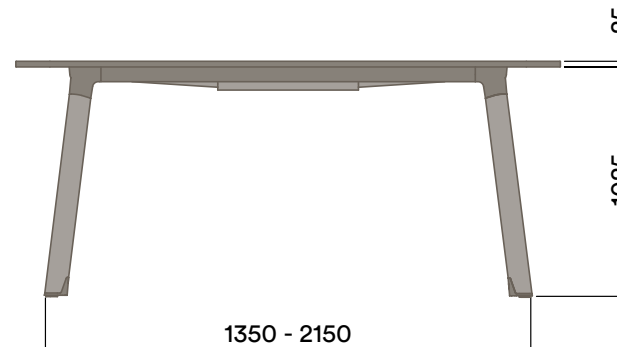
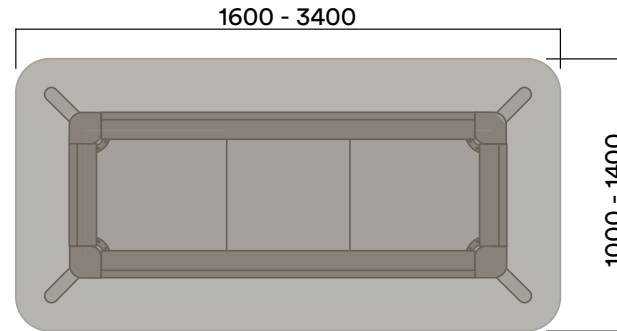
Plywood undercarriage

- a. Ash - Standard
- b. Black solid colour with timber grain

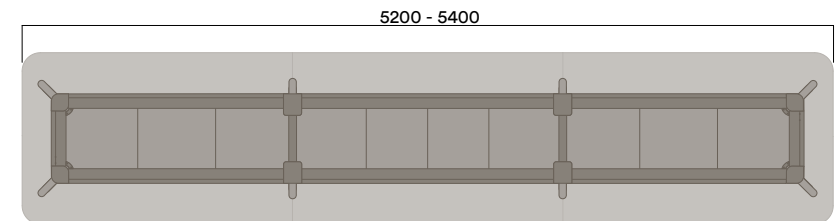
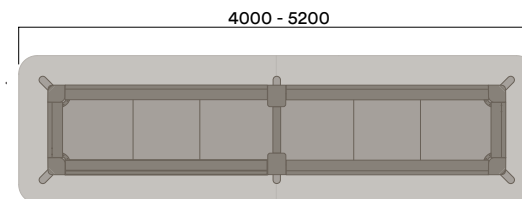
Maximum inc. worktop 160kg  
 Maximum Point Load 50kg  
 Seats 4-22

### 4-Leg Narrow

1050 (standing height)



### 6-Leg Narrow





# Tables

## Rectangle

### Materials Information

#### Legs

Timber Legs

- a. Ash - Standard
- b. Walnut
- c. Black solid colour with timber grain
- d. White solid colour with timber grain

#### Frame Finish

Aluminium Frame

- a. Zanilla
- b. Pink Salt
- c. Nocturenelle
- d. Minted
- e. Scotland Sky
- f. Green Smoke
- g. Folie
- h. Axel
- i. Blanc
- j. Noir

#### Undercarriage

Plywood undercarriage

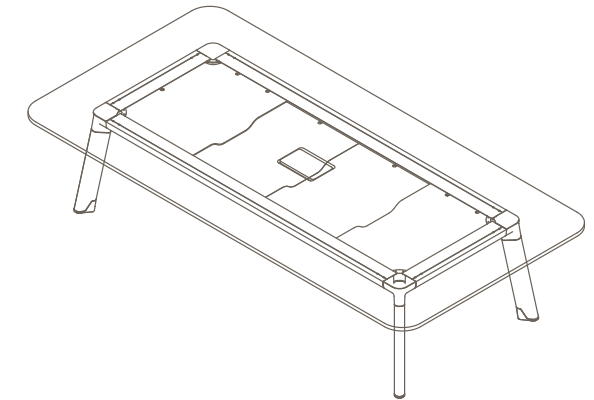
- a. Ash - Standard
- b. Black solid colour with timber grain

Maximum inc. worktop 160kg  
 Maximum Point Load 50kg  
 Seats 4-22

### 4 Leg Wide

740 (standard height)

1800 - 3400

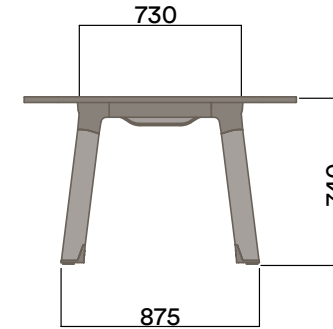
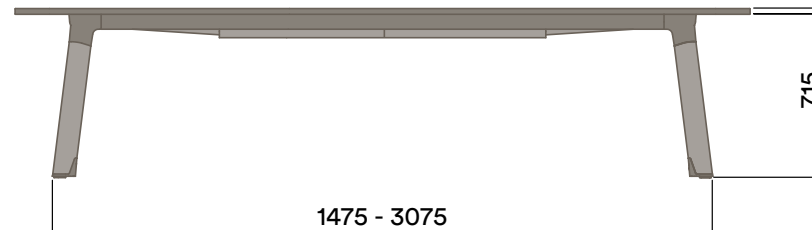


1400 - 1800

25

715

1475 - 3075



730

740

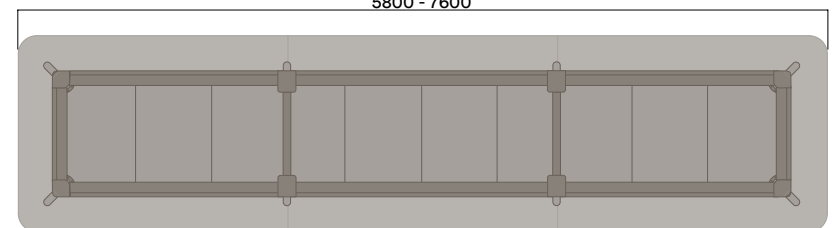
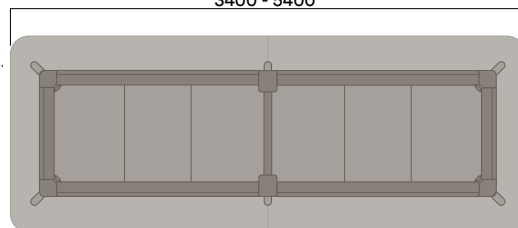
875

### 6 Leg Wide

### 8 Leg Wide

3400 - 5400

5800 - 7600



# Tables Features

## Materials Information

### Undercarriage

Plywood undercarriage

- a. Ash - Standard
- b. Black solid colour with timber grain

### Seamless Powerbox

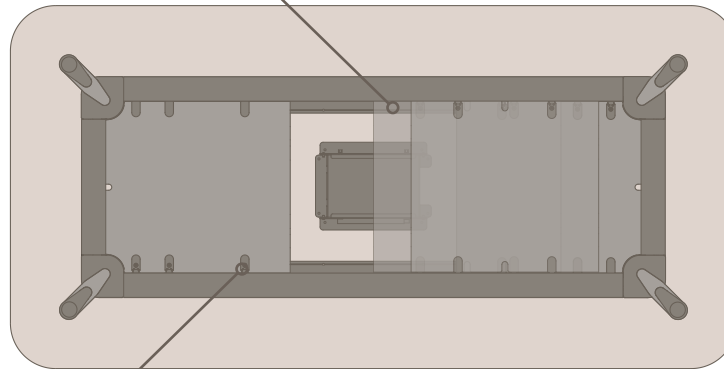
Steel Powerbox Chassis

- a. Black Powdercoat

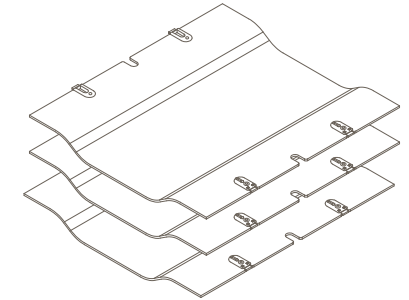
## Cable Management

## Plywood Undercarriage

Undercarriage panel\*



Slide Locks\*\*



## In-Desk Power

## Seamless Powerbox

### Option 1:

4x GPO - Type I  
(AUS / NZ / CHN)  
200mm Data Provision



### Option 2:

8x GPO - Type I  
(AUS / NZ / CHN)



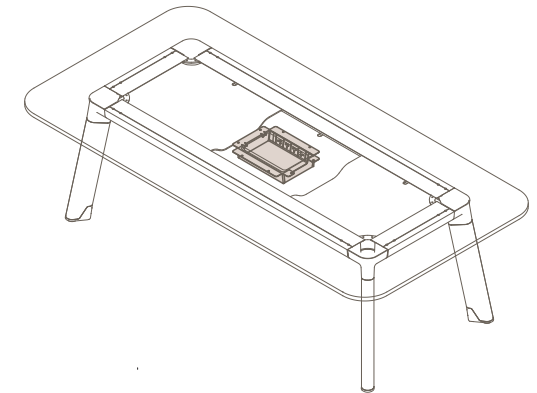
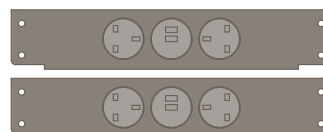
### Option 3:

2x GPO - Type G  
(UK / HKG / SGP / MYS)  
2x USB Power  
200mm Data Provision



### Option 4:

4x GPO - Type G  
(UK / HKG / SGP / MYS)  
4x USB Power



\*Overlapping Undercarriage panels conceal Seamless power boxes and interconnecting leads.

\*\*Slide locks allow for easy install and removal of Undercarriage panels.

Seamless Powerbox includes worktop cut-out and seamless hinged lid.

# Tables Features

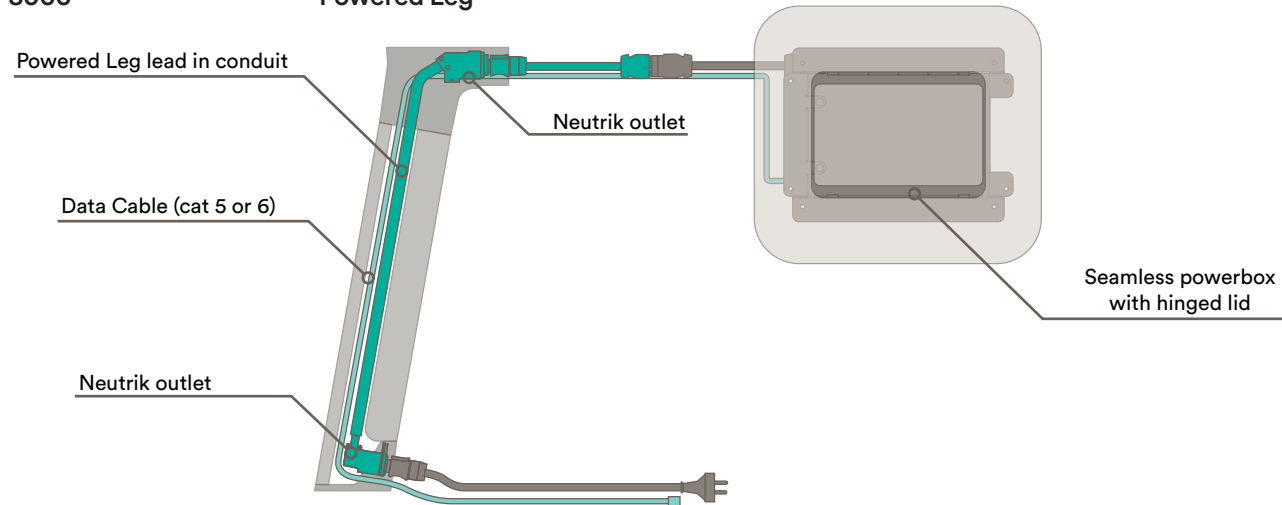
## Materials Information

### Seamless Powerbox Steel Powerbox Chassis

a. Black Powdercoat

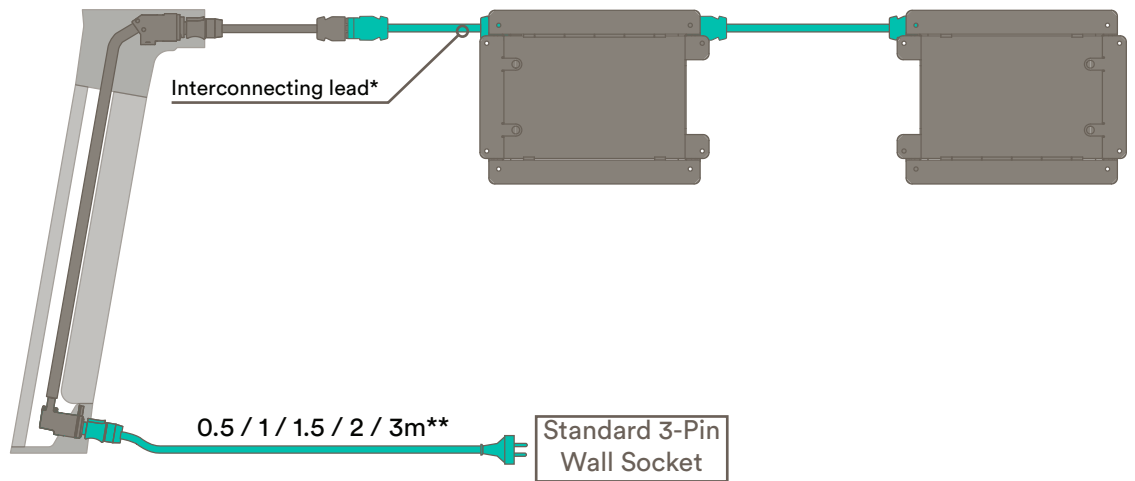
## DV-8000

## Powered Leg



## In-Desk Power

## Power Cables



NEUTRIK outlets at top and bottom of Powered Leg allows for plug-in power from Seamless box to floor.

Powered Leg lead housed in 16mm flexible conduit within Diva leg cavity to allow for power and data segregation in shared Powered Leg.

\*Interconnecting leads for Seamless powerbox available in 500 / 1000 / 2000 / 3000mm.

\*\*10amp 3-pin to NEUTRIK starter lead available.

NEUTRIK is a rugged power solution in combination with a locking mechanism to guarantee a safe power connection. NEUTRIK connectors also feature a breaking capacity which allows it to be connected or disconnected under load or live.



## **Specification**

If you would like a sample set of any of our finishes, please call us on 61 (0)2 9726 7177 or e-mail at [sales@thinkingw.com](mailto:sales@thinkingw.com).

Due to our policy of continuous product development, specifications and finishes may change without prior notice.

## **Sustainability Policy**

We realise the importance of responsible business practices and have in place numerous product and company sustainability certifications. We would encourage you to download our annual Sustainability Report from the Thinking Works website to get a full overview of our sustainability program.

Thinking Works  
© Copyright 2018  
All right reserved

Thinking Works  
25 Helles Avenue  
Moorebank  
New South Wales 2170

[www.thinkingw.com](http://www.thinkingw.com)  
61 (0)2 9726 7177  
[sales@thinkingw.com](mailto:sales@thinkingw.com)