

Stella



+Halle®

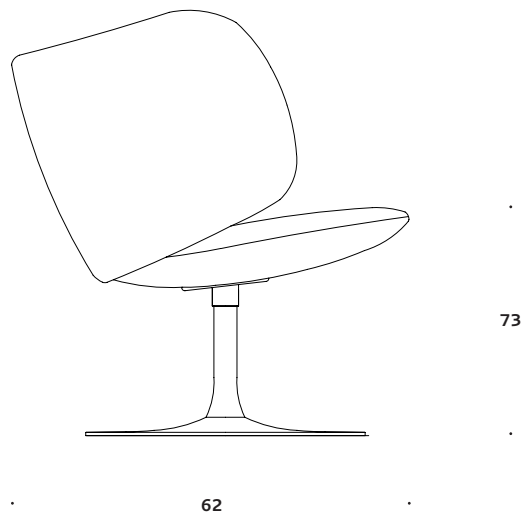
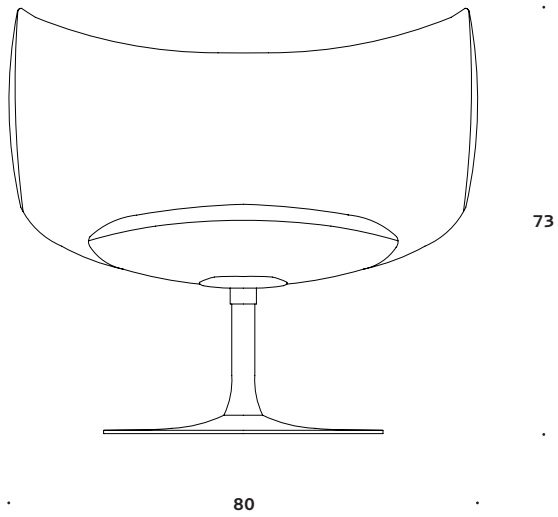
Stella

Stella is spacious and comfortable lounge chair - ideal for both relaxation and communication in public spaces. The expression is tight and light without compromising the degree of comfort. The wide back, which also functions as an armrest, is attached to the seat only at a single point, which gives an impression of an almost floating back. This detail also leaves an increasing space on the sides between seat and back, which offers the user multiple seating positions. Stella is a chair that functions well for extended as well as short stays and pauses in a hectic everyday life.

Designed by busk+hertzog

The Danish design duo was established in 2000 with a clear vision of being innovative and professional - but also with the aim of leading and inspiring a new generation of designers to further develop the Danish design legacy. The duo is located in Lisbon.





Dimensions defined in centimeters

Design

busk+hertzog

Materials

High quality moulded foam. Base in black powder coated aluminum. Return swivel

Fabric

Available in all fabrics and leather types

Dimensions defined in centimeters

Design
Materials
Fabric

Notes

A large grid of small dots for taking notes, consisting of 20 columns and 30 rows.

Creating human spaces

+Halle is a Danish high quality design furniture brand. We strive to add value to public areas by contributing to the creation of Human Spaces. The basic idea behind +Halle can be put down to a basic understanding of people.