

# IDEO MEETING

## ROUND TABLE FRAME WITH SOLID OAK LEGS

MEDIUM / 1100 DIAMETER



## OVERVIEW

The IDEO Medium Round Meeting Table was designed with innovation and attention to details in mind. It combines style and versatility through the combination of simple lines. It is a lightweight and practical table. The classic solid oak legs and metal footrest intersect without screws, giving it an appealing industrial look combined with a warm touch, making it a perfect fit for any environment.

Source your own top in a wide range of different materials, shapes and sizes.

## FEATURES

Solid Oak Legs  
Steel Cross Bar  
Italian Designed & Manufactured  
Choose your own top  
10 Year Warranty

## FINISH OPTIONS

Solid Oak Legs  
Solid Oak – Black Stain Legs

## SPECIFICATIONS

Frame Dimensions (mm)

O/A Height (With 25mm Table Top): 750~  
O/A Height (Frame Only): 725~  
O/A Length: 915~  
O/A Width: 800~

Flat Pack Dimensions (mm):

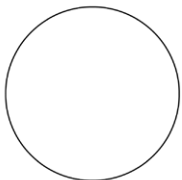
Frame Carton  
O/A Height: 180~  
O/A Length: 950~  
O/A Width: 870~

Legs Carton  
O/A Height: 85~  
O/A Length: 800~  
O/A Width: 240~

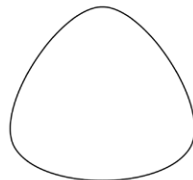


\*Table top shown for demonstration only

## TABLE TOP OPTIONS



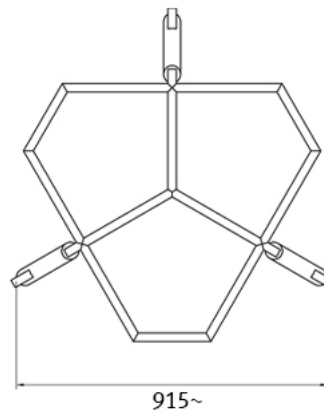
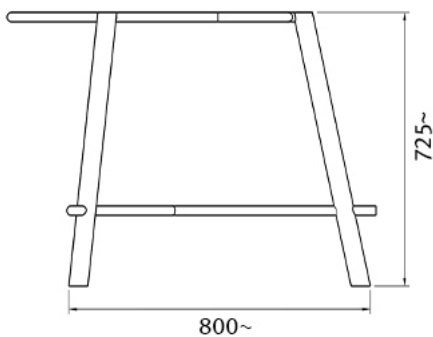
A



B

Diameter Options:  
1100 – 1300mm~

## FRAME DIMENSIONS (mm)



### Please Note:

Measurements are related to the frame only (without table top) unless specified otherwise.  
This product is shipped flat packed, simple assembly required. Instruction manual and bolts are included.



Due to constant innovation, Advanta products may be subject to design and specification changes without notice. Copyright © Advanta 2022