

IDEO MEETING

MEDIUM TABLE FRAME WITH STEEL LEGS



OVERVIEW

The IDEO Medium Meeting Table was designed with innovation and high attention to details in mind. It combines style and versatility through the combination of simple lines. It is lightweight, practical and durable. The steel legs and footrests intersect without screws, giving it an appealing cutting edge industrial look, making it a perfect fit for a variety of spaces and fitouts.

Source your own top in a wide range of different materials, shapes and sizes.



FEATURES

Steel Legs
Steel Cross Bar
Italian Designed & Manufactured
Choose your own top
10 Year Warranty

FINISH OPTIONS

Steel Legs – Black

SPECIFICATIONS

Frame Dimensions (mm):

O/A Height (With 25mm Table Top): 730~
O/A Height (Frame Only): 705~
O/A Length: 1395~
O/A Width: 815~
Top Frame Length: 1355~
Top Frame Width: 450~

Flat Pack Dimensions (mm):

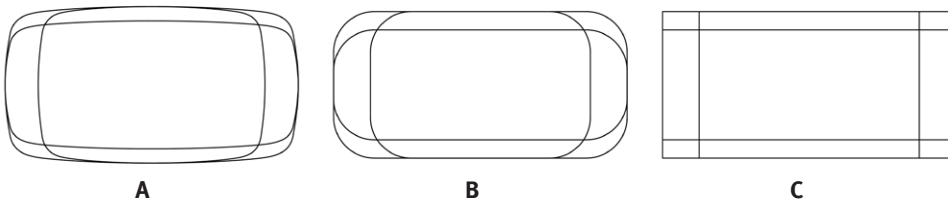
Frame Carton
O/A Height: 180~
O/A Length: 1400~
O/A Width: 870~

Legs Carton

O/A Height: 160~
O/A Length: 780~
O/A Width: 155~

*Table top shown for demonstration only

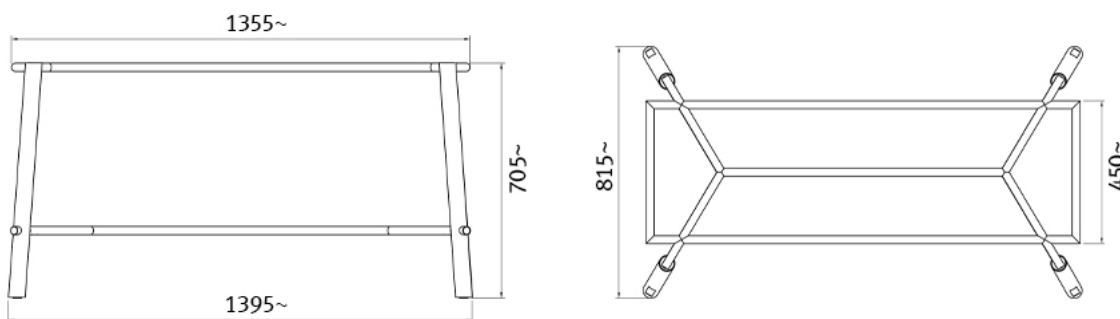
TABLE TOP OPTIONS



Width Options:
800 – 900mm~

Length Options:
1600 – 1800mm~

FRAME DIMENSIONS (mm)



Please Note:

Measurements are related to the frame only (without table top) unless specified otherwise.
This product is shipped flat packed, simple assembly required. Instruction manual and bolts are included.



Due to constant innovation, Advanta products may be subject to design and specification changes without notice. Copyright © Advanta 2022