



// XLOCK 100

QUICK RELEASE

The XLOCK 100 unlocks powerfully and quickly. It can be used in flaps, revolving doors and drawers.

The door jumps open automatically by 3 strong springs. When the door is closed, it is securely locked. The XLOCK 100 fits well in drawers thanks to the side lock. Employee lockers in open plan offices and lockers in fitness studios are popular applications. The symmetrical and compact shape of the XLOCK 160 is particularly notable for doors that are hinged on both sides. The battery compartment offers space for a 6 Volt battery. This energy source is the basis for our Bluetooth / NFC / Pincode electronics.

Compatibel Systems:

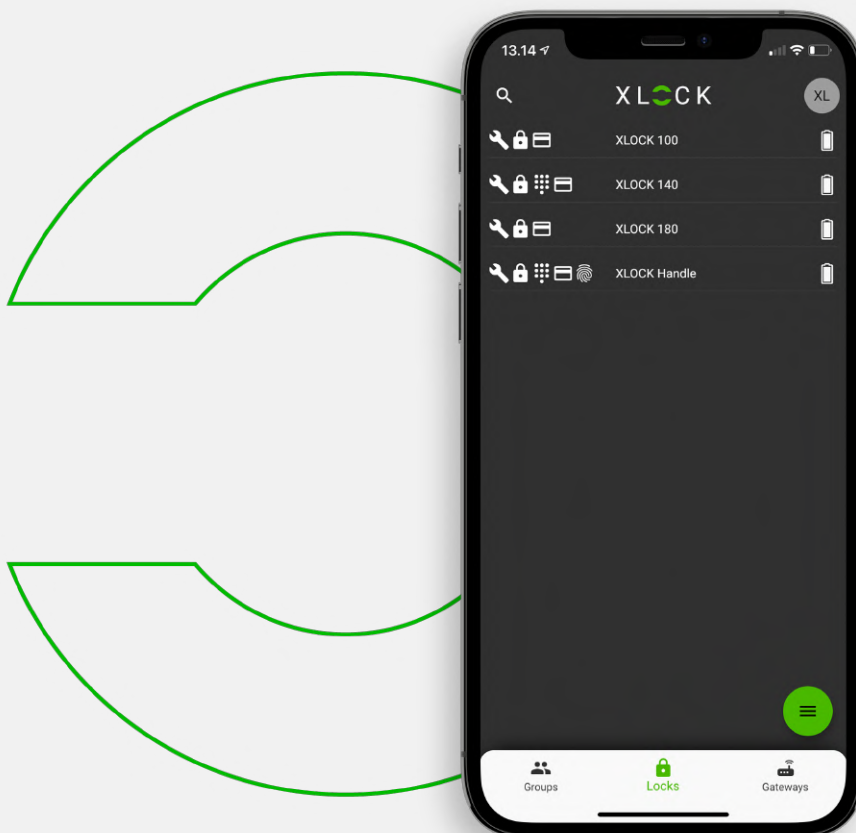
BLE + NFC, Hotel, Proxy Pincode

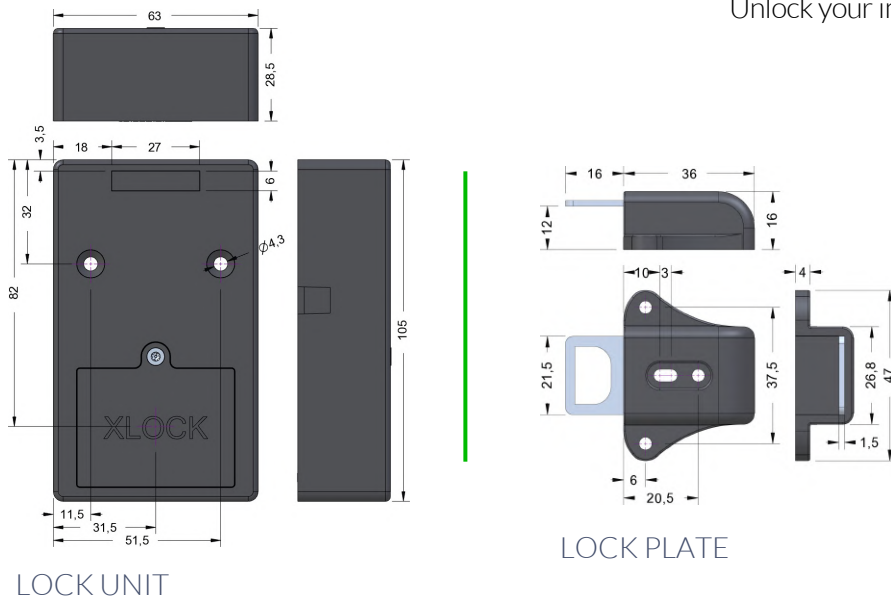
Power supply:

6 Volt Battery (optional: power connection)

// THE XLOCK APP

- A single Swipe to unlock your XLOCK.
- Use the already existing NFC company card to open the XLOCK.
- Choose your way of access: NFC unlocking or Smartphone unlocking via BLE.
- Easy handling and setting up of a new XLOCK.
- Grant access to other user via the XLOCK App.
- With a Gateway you can unlock your storage from anywhere in the world.
- Real time reporting: Access the activity logs at any time and see who accessed at what time.
- Decide who has access. Anytime and anywhere.





// Technical specifications

Size	lock unit: 105 x 63 x 28,5 mm lock plate: 52 x 47 x 16 mm
Weight	App. 200 g (set including lock plate, battery and screws)
Temperature surrounding	-10 °C to +55 °C (14 °F to 131 °F) (depending on electronic and RFID frequency)
Humidity	20% to 75% relative humidity, non- condensing
Reading field frequency	13.56 MHz
Battery	Requires XLOCK battery (Lithium) in order to live up to the specification for battery life and software.
Battery lifetime	Up to 2 years at +20 °C (68 °F) (depending on electronic, lock, frequency of use and used functions)
Frequency Standard	BLE 4.0, ISO14443a, NFC
Compatible with	MIFARE® and ISO 14443A: MIFARE Classic® 1K and 4K, MIFARE Ultralight®, MIFARE® Mini, MIFARE Plus®, MIFARE® DESFire®, LEGIC® advant ATC2048 and many more
Number of users	Up to 200 RFID Users, unlimited Smartphone User
Reading field range	5 to 35 mm (0.2'' to 1.38'') (depending on RFID Transponder Quality, electronic type, antenna position, furniture material and mounting) Up to 15 m with BLE unlocking
Data storage:	EEPROM for 999 bookings, data preservation during battery change (depending on electronic)
Internal clock	Quartz-controlled, real-time clock (depending on electronic)



LET'S UNLOCK THE FUTURE
TOGETHER!

Get in contact with one of
our distribution partners for
more information.