



# cascade mega-tower

with shelves

MODEL #: 91100000P\_

## MEGA-TOWER W/ SHELVES

### OVERVIEW

The Cascade series provides storage for a wide variety of items. The Mega-Tower is a large width, tall height cabinet in the Cascade grouping, measuring in at 61-3/8" tall, 43" wide and 19" deep.

### MATERIALS

The END PANELS are made of 18-gauge 1" square tubing, welded flush to an 18-gauge end panel. The inside of each end panel is reinforced by 22-gauge hat channels. These hat channels are dual purpose: added strength and for tote rail shelf mounting. The dome top is 18-gauge formed and welded construction, bolted to each end panel and rear panel with a total of 10 machine screw fasteners. The base is a durable 18-gauge steel construction formed and welded to support the entire weight of the unit squarely. Underneath is a heavy welded hat channel reinforcement. The base shelf is attached to both end panels using 4 machine screw fasteners. The Rear Panel is 18-gauge steel reinforced with up to three vertical hat channels. Two grommet holes (a lower and upper) are punched for convenient wire management and electronic storage. Casters are 5" in diameter, with 2 locking. Optional glides are 3/8" threaded stem.

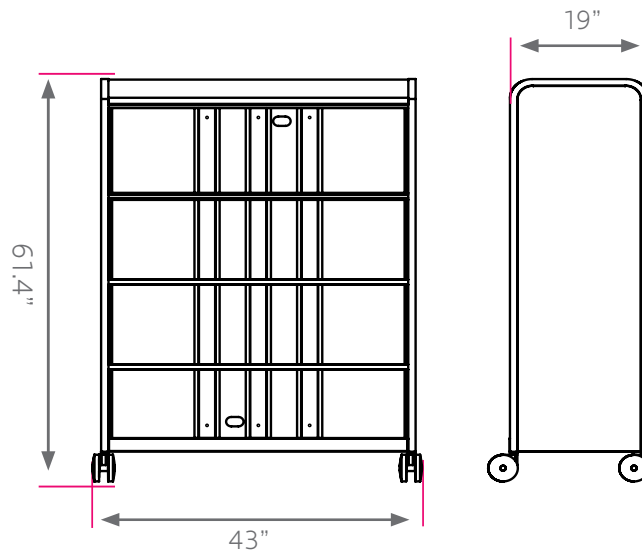
The optional DOORS include a secure and reliable locking mechanism, which engages lock rods into the dome top and the base shelf. Doors also come with urethane ergonomic and modern door handles of your color choice. The fully hinged doors articulate 270 degrees, free of obstruction.

Due to the Cascade Tower's height, riser shelves are not available on Cascade Mini Tower, Mid Tower or Mega Tower.

### WHITEBOARD BACK AVAILABLE!

Replace the 4th character in the part number with a 'W' to denote a whiteboard back on the Cascade Mega-Tower.

i.e. 911W00000P\_  
921W00000P\_



## MEGA-TOWER W/ TOTES

MODEL	DESCRIPTION	D"	W"	H"	F.C.	WT.
<i>Shelves</i>						
911000000P_	Open w/shelves	19	43	61.4	100	134
921000000P_	Doors w/shelves	19	43	61.4	100	167
911W00000P_	Open w/shelves and whiteboard back	19	43	61.4	100	134
921W00000P_	Doors w/shelves and whiteboard back	19	43	61.4	100	167
	pallet dimensions	22	45	64		



# cascade mega-tower

## with totes

MODEL #: 910036000P\_

### MEGA-TOWER W/ TOTES

#### OVERVIEW

The Cascade series provides storage for a wide variety of items. The Mega-Tower is a large width, tall height cabinet in the Cascade grouping, measuring in at 61-3/8" tall, 43" wide and 19" deep.

#### MATERIALS

The END PANELS are made of 18-gauge 1" square tubing, welded flush to an 18-gauge end panel. The inside of each end panel is reinforced by 22-gauge hat channels. These hat channels are dual purpose: added strength and for tote rail shelf mounting. The dome top is 18-gauge formed and welded construction, bolted to each end panel and rear panel with a total of 10 machine screw fasteners. The base is a durable 18-gauge steel construction formed and welded to support the entire weight of the unit squarely. Underneath is a heavy welded hat channel reinforcement. The base shelf is attached to both end panels using 4 machine screw fasteners. The Rear Panel is 18-gauge steel reinforced with up to three vertical hat channels. Two grommet holes (a lower and upper) are punched for convenient wire management and electronic storage. Casters are 5" in diameter, with 2 locking. Optional glides are 3/8" threaded stem.

The optional DOORS include a secure and reliable locking mechanism, which engages lock rods into the dome top and the base shelf. Doors also come with urethane ergonomic and modern door handles of your color choice. The fully hinged doors articulate 270 degrees, free of obstruction.

Due to the Cascade Tower's height, riser shelves are not available on Cascade Mini Tower, Mid Tower or Mega Tower.

#### WHITEBOARD BACK AVAILABLE!

Replace the 4th character in the part number with a 'W' to denote a whiteboard back on the Cascade Mega-Tower.

i.e. 910W36000P\_  
C20W24000P\_



### MEGA-TOWER W/ TOTES

MODEL	DESCRIPTION	D"	W"	H"	F.C.	WT.
<b>Standard Width (SW) Totes</b>						
910036000P_	Open w/thirty-six 3" SW totes	19	43	61.4	100	209
920036000P_	Doors w/thirty-six 3" SW totes	19	43	61.4	100	242
910009093P_	Open w/nine 3" and nine 6" and three 12" SW totes	19	43	61.4	100	209
920009093P_	Doors w/nine 3" and nine 6" and three 12" SW totes	19	43	61.4	100	242
910009150P_	Open w/nine 3" and fifteen 6" SW totes	19	43	61.4	100	209
920009150P_	Doors w/nine 3" and fifteen 6" SW totes	19	43	61.4	100	242
<b>Extra Wide (EW) Totes</b>						
C10024000P_	Open w/twenty-four 3" EW totes	19	43	61.4	100	209
C20024000P_	Doors w/twenty-four 3" EW totes	19	43	61.4	100	242
C10014060P_	Open w/fourteen 3" and six 6" EW totes	19	43	61.4	100	209
C20014060P_	Doors w/fourteen 3" and six 6" EW totes	19	43	61.4	100	242
	pallet dimensions	22	45	64		

## Cascade Frame



PLATINUM

*\*(Cascade Riser Shelves not available on Cascade 'Towers' due to height).*

## Cascade End Panel Color Options



APPLE **A**



BLACK **B**



BLUEBERRY **C**



BURGUNDY **D**



CERULEAN **S**



CHARCOAL **R**



CHOCOLATE **Q**



CLEMENTINE **E**



FOREST GREEN **F**



FUCHSIA **G**



MINT **H**



MOCHA **T**



NAVY **I**



ORANGE **U**



PERSIAN BLUE **J**



PLATINUM **P**



PURPLE **K**



RED **L**



YELLOW **N**

