



Blue Tick
Product
Certification

Approved by Furntech-AFRDI

*Check website www.furntech.org.au for current certification status

Certificate No.

16015/1

Nominal Expiry*
26 June 2024

Product name: **Trimline Mobile Caddy**
Company: **Steelco**
Product type: **Mobile storage unit. 1 x tambour door, 3 drawers**
Certified for: **General safety** ✓
Strength and durability ✓
Stability ✓
Test level: **3 – Commercial**

AFRDI Blue Tick certification criteria are based on **AS/NZS 4790: 2006 (R2016) Furniture – Storage Units – Determination of Strength and Durability (including the relevant sections of ISO 7171:2019 Furniture – Storage units – Test methods for the determination of stability)**, but may include additional requirements and variations as deemed appropriate by Furntech-AFRDI.

Electrical components, if present, have not been tested or certified by Furntech-AFRDI to any electrical standard or evaluated against any electrical regulation.

Testing and evaluation was conducted on the specified unit/s, or selected samples from the range, such that in the opinion of Furntech-AFRDI all items (as tabulated below) should perform satisfactorily in relation to the certification criteria. Certification is limited to the features and options depicted and listed on this certificate.

The supplier having agreed to maintain the compliance of the product and to submit to retesting and auditing as appropriate, the Australasian Furnishing Research and Development Institute hereby certifies the product (as specified) under the AFRDI Blue Tick Product Certification Program.

This certification is valid for three years but may be suspended, revoked or renewed.

16015-1_221011_ct.doc

This certificate is not valid unless reproduced in full – Page 1 of 2



Australasian Furnishing Research & Development Institute Limited

ABN 44 009 579 908, trading as Furntech

School Road (University Campus) Newnham Drive PO Box 2042 Launceston Tasmania 7250 Australia

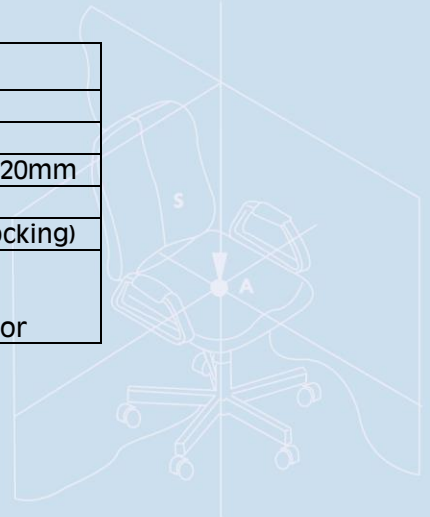
Tel (03) 6326 6155 Fax (03) 6326 3090

www.furntech.org.au Email: info@furntech.org.au



Blue Tick
Product
Certification

Description	Size (mm)
Trimline Mobile Caddy	W 1050 x D 500 x H 615
Drawers	3 (with interlock and locking)
Runners	Consun 3 piece. Drawer travel 420mm
Shelves	1
Doors	1 - Horizontal tambour door (locking)
Castors	Rear - 2 Free wheeling Front - 2 Locking Bottom drawer - 1 stability castor



16015-1_221011_ct.doc

This certificate is not valid unless reproduced in full – Page 2 of 2



Australasian Furnishing Research & Development Institute Limited

ABN 44 009 579 908, trading as Furntech

School Road (University Campus) Newnham Drive PO Box 2042 Launceston Tasmania 7250 Australia

Tel (03) 6326 6155 Fax (03) 6326 3090

www.furntech.org.au Email: info@furntech.org.au