



Screenliner

Specification Guide

Screenliner

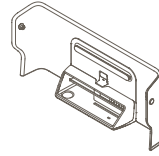
Inspired by aeronautical and automotive interior design.

Screenliner creates a personal cabin space for the office worker with integrated storage for phones, glasses, headsets, and other personal effects. Screenliner features built-in power and inductive charging facilities as well as concealed power management.

Screenliner

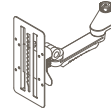
Screen

5 – 9



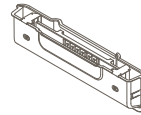
Accessories

10 – 11



Cable Management

12 – 14



A technical line drawing of a rectangular screenliner being placed into a larger container. The screenliner is shown in a perspective view, slightly offset from the container's opening. The container has a lid with a circular fastener on the left side. The screenliner itself has a circular hole on its left side and a rectangular slot on its right side. The word "Screenliner" is printed in a large, bold, sans-serif font across the center of the image, overlapping both the container and the screenliner.

Screenliner

Screenliner Finishes

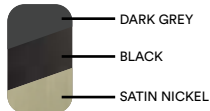
1. Screenliner PET Screen

Screenliner PET material is available in Light Grey, Dark Grey and Oatmeal to fit perfectly in any office setting.



2. Console

Screenliner provides storage for personal effects as well as built in power and inductive charging. It has neutral finishes in tones of black and grey with brushed and subtle textured premium finishes.



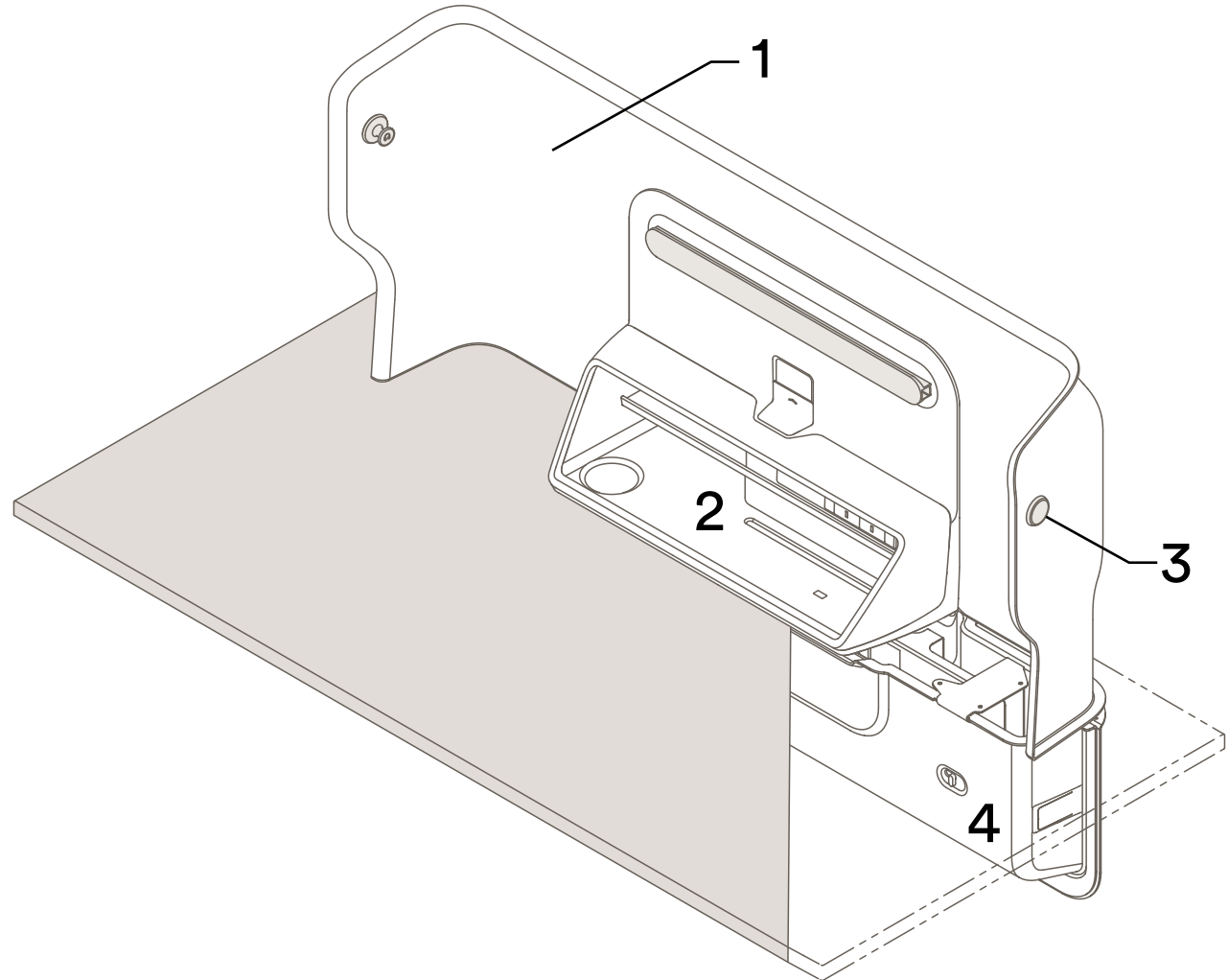
3. Accessory Hooks

Way-finder points on each side of the screen double as accessory hooks for headsets and glasses. The hooks are made from cast aluminium with a brushed Satin Nickel finish.



4. Cable Management

The concealed power and cable management compartment doubles as a modesty panel, with a removable front cover for easy access. Made from PET material and available in matching screen colours; Light Grey, Dark Grey and Oatmeal.



Colours are representative only, please check with your Thinking Works consultant to view samples of any specific colour.

Screenliner Screen & Console

Materials Information

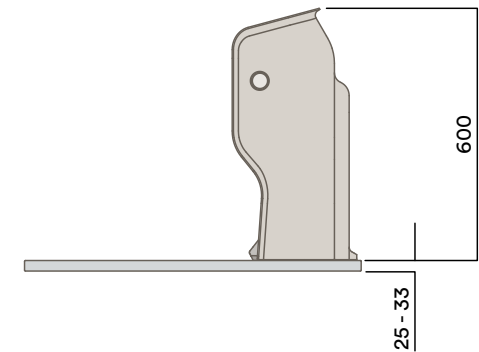
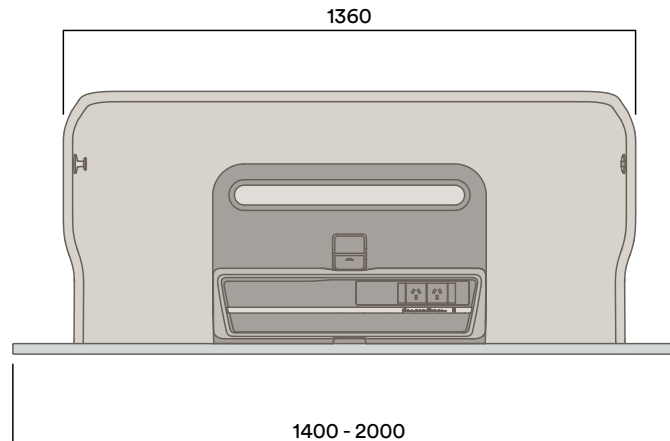
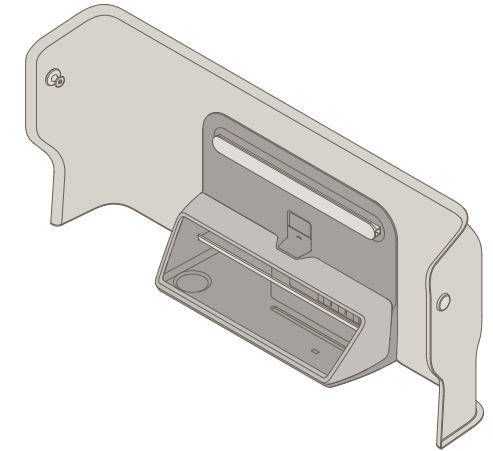
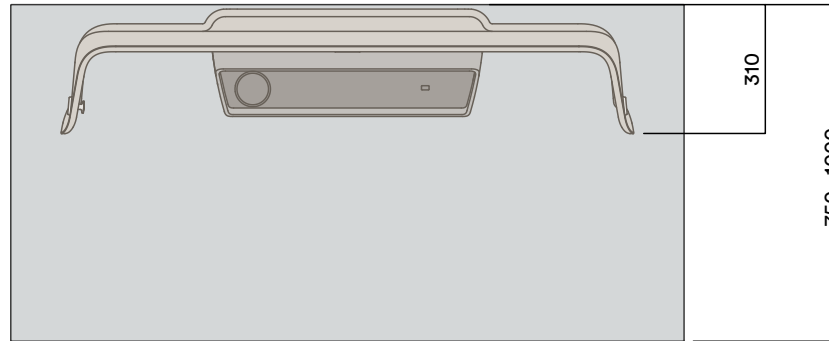
Screen Finish

Formed PET Screen

- a. Light Grey
- b. Dark Grey
- c. Oatmeal

Console Finish

Soft touch injection moulded ABS plastic in Black and Dark Grey tones with brushed Satin Nickel finish aluminium extrusion.



Screenliner Compact Screen & Console

Materials Information

Compact Screen

Screenliner is also available in a smaller size compact screen.

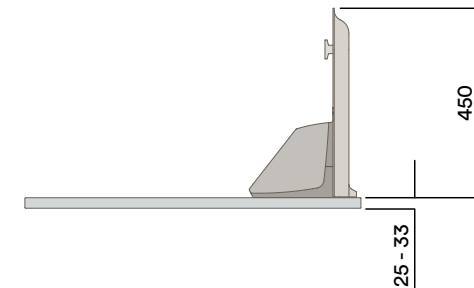
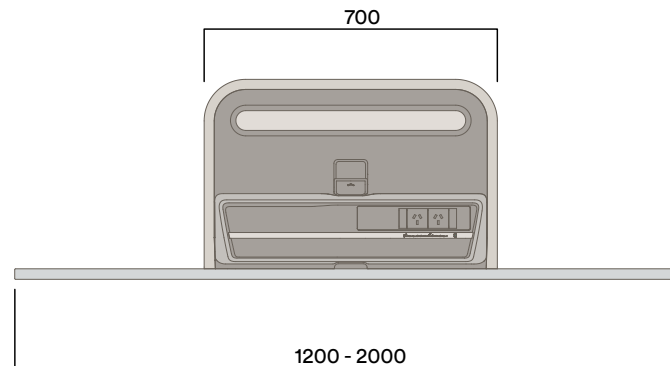
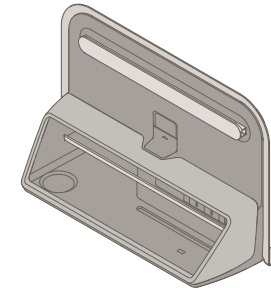
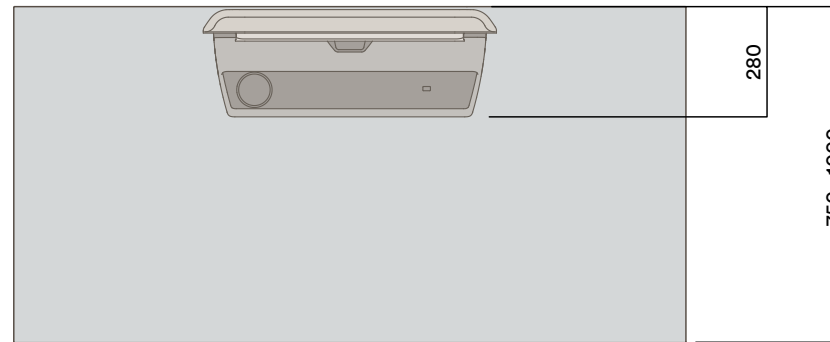
Screen Finish

Formed PET Screen

- a. Light Grey
- b. Dark Grey
- c. Oatmeal

Console Finish

Soft touch injection moulded ABS plastic in Black and Dark Grey tones with brushed Satin Nickel finish aluminium extrusion.



Screenliner Console

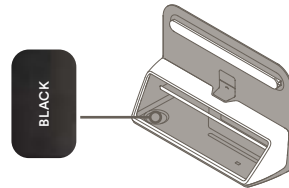
Materials Information

Console

Injection moulded ABS in three different finishes:

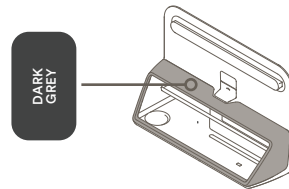
1. Main Body

Soft touch Black matte finish.



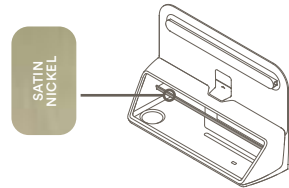
2. Cover

Soft touch Dark Grey matte finish.



3. Stripe

Metallic plastic in Satin Nickel finish.



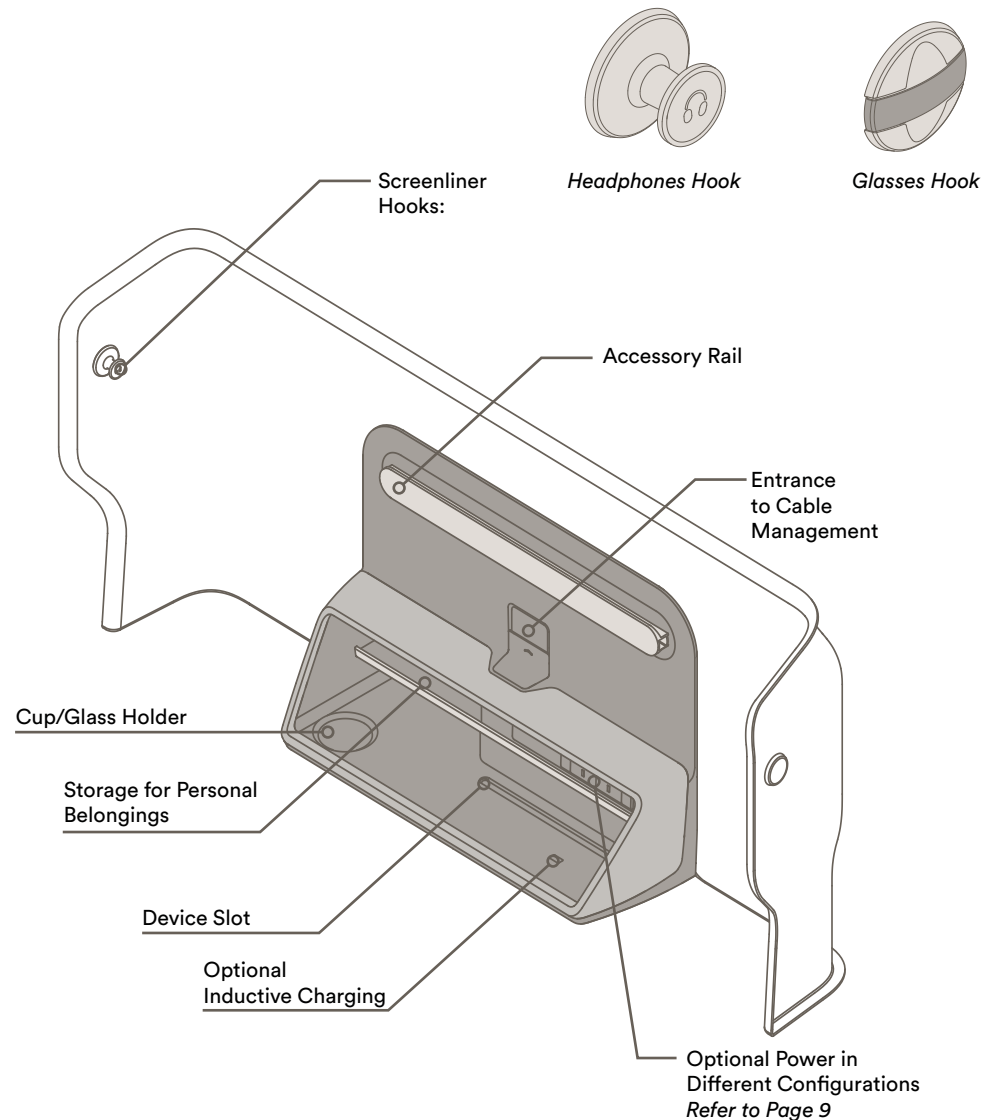
Accessory Rail

Aluminium extrusion in Brushed Nickel with satin finish.



Accessory Hooks

Screenliner provides two hooks for headphones, glasses or other personal belongings.



Screenliner Power Configurations

Integrated Power Options:

Non-Powered:

- a. Blank Cover

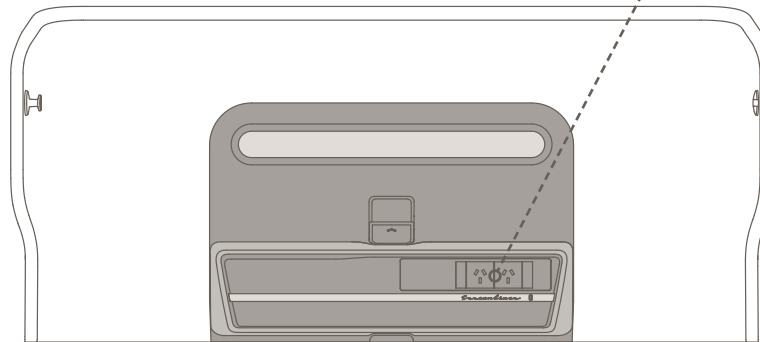
Australia, UK & Asia

- b. 2x Power Sockets
- c. 2x Power Sockets + 1x USB A + 1x USB C

United States & Europe

- d. 2x Power Sockets
- e. 1x Power Sockets + 2x USB A

All power options in Black
matte finish



Integrated Power Screenliner Options:

Non-Powered:



Blank Cover

Australia:



2x Power Sockets (AUS)



2x Power Sockets (AUS)
1x USB A + 1x USB C

United Kingdom & Asia:



2x Power Sockets (UK & Asia)



2x Power Sockets (UK & Asia)
1x USB A + 1x USB C

United States:

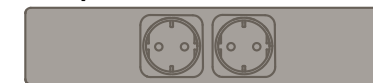


2x Power Sockets (US)



1x Power Sockets (US)
2x USB A

Europe:



2x Power Sockets (EU-Schuko)



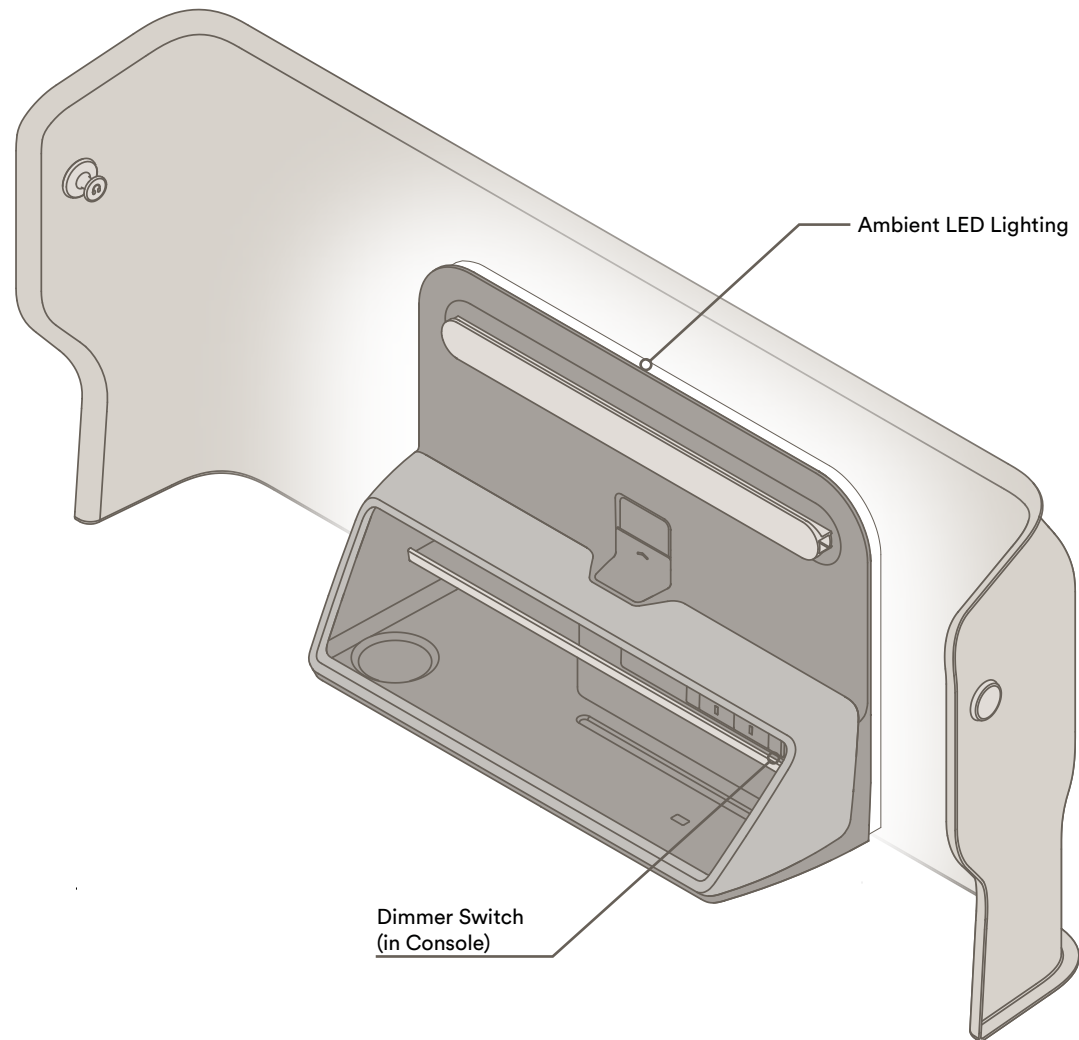
1x Power Sockets (EU-Schuko)
2x USB A

Screenliner Ambient Lighting

Lighting Information:

Optional Integrated Lighting:

Switch Type: Touch Dimmer Switch
Light Output: 2060 lm
Colour Temperature: 4000K
Input Voltage: 100-240V



Screenliner Accessories

Rail Mounted Monitor Arm Information

Material Finish:

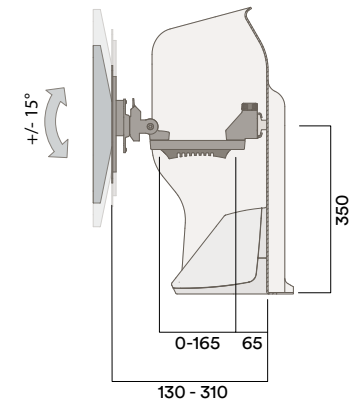
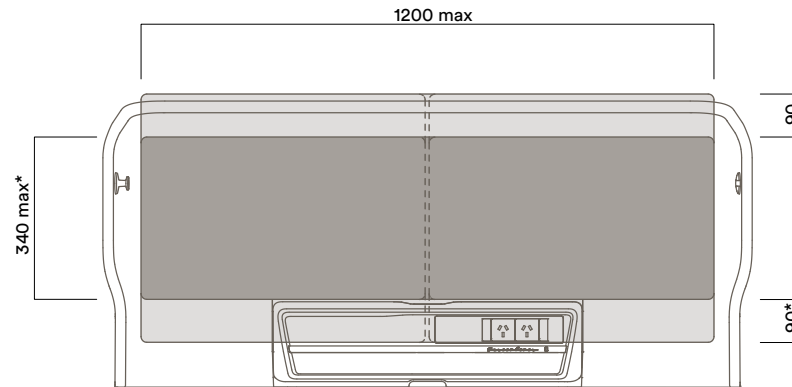
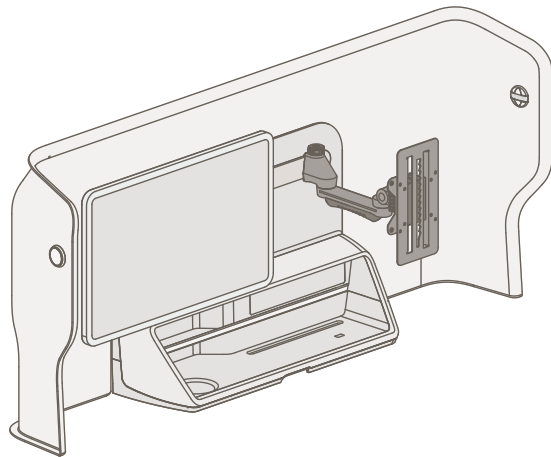
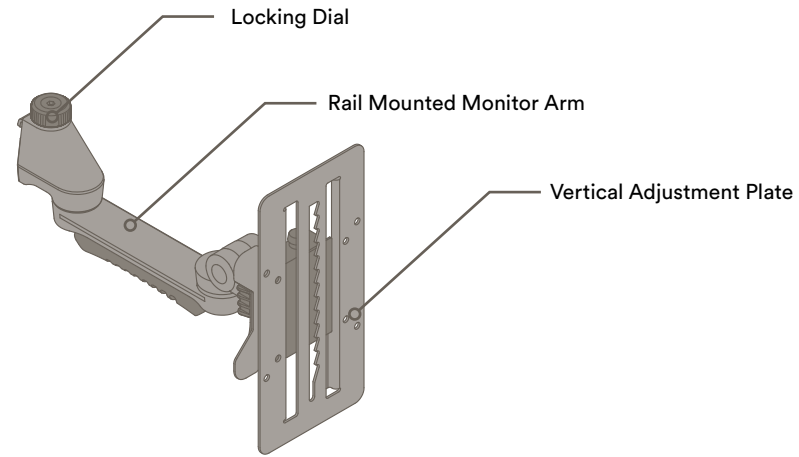
Cast aluminium in Black textured powdercoat finish.



Screenliner can fit up to two monitors by using rail mounted monitor arms to the accessory rail.

Each arm allows a vertical height adjustment range of 180mm.

*Downwards vertical adjustment may be restricted by the monitor height.



Maximum load per arm 8kg

Screenliner Accessories

Desk Clamp

Screenliner Desk Clamps are always included in a set of 2 in matte black powdercoat finish.



Information:

Screenliner Desk Clamps are suitable for desktops in between 25-33mm thickness.

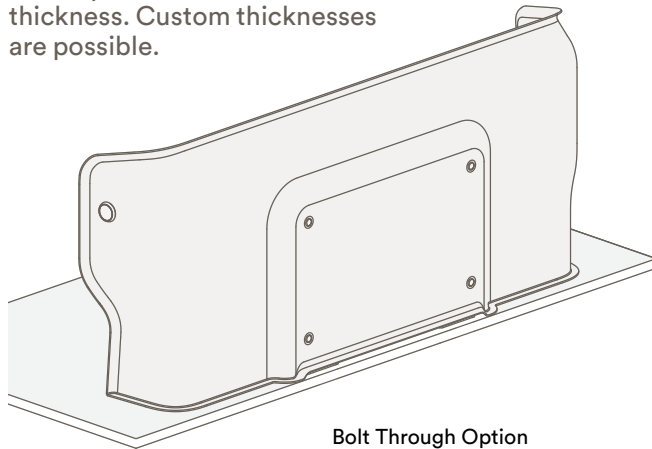
Desk Clamps can not be used on desks with shark nose.

Bolt Through

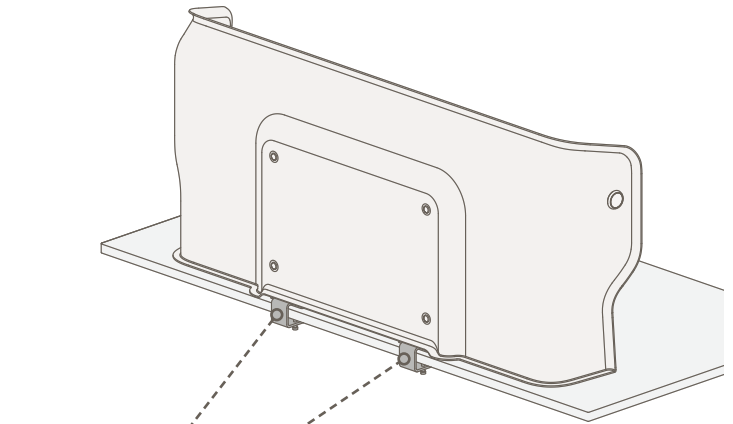
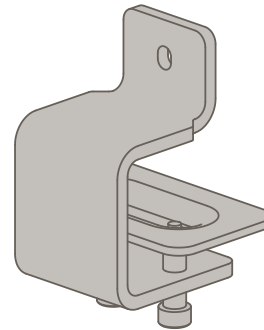
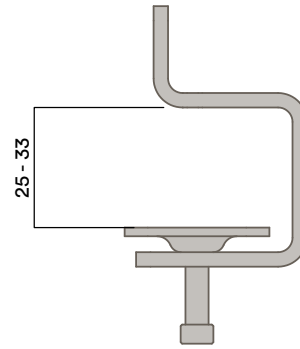
Screenliner can be mounted with bolts through the desktop.

Information:

Bolt through option is suitable for desktops in between 25-33mm thickness. Custom thicknesses are possible.

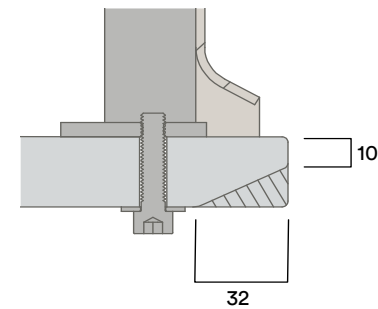


Bolt Through Option

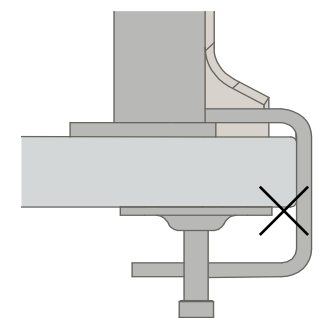


Desk Clamp Option

Shark Nose possible with Bolt Through:



Shark Nose not possible with Desk Clamps:



Colours are representative only, please check with your Thinking Works consultant to view samples of any specific colour.

Screenliner Modesty

Materials Information

1. Modesty

Formed PET

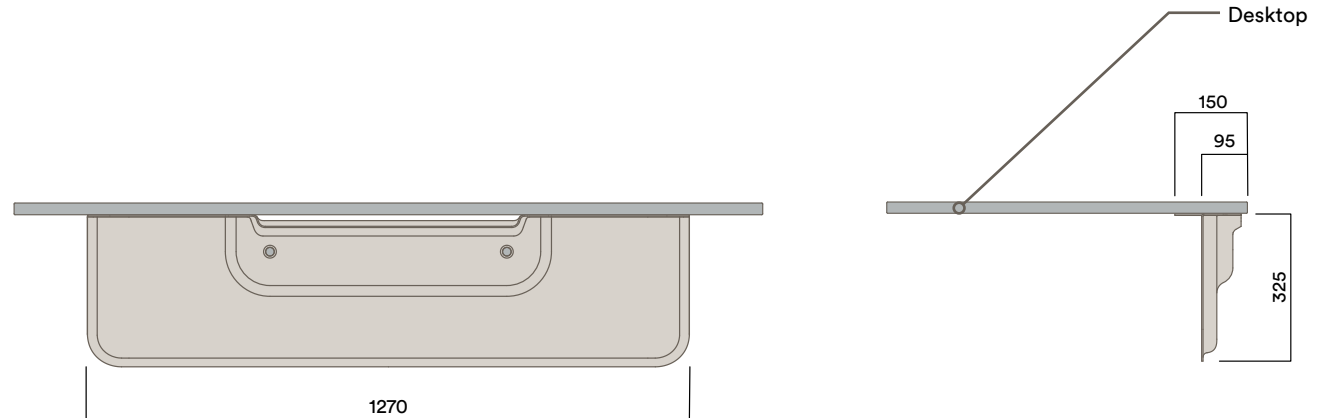
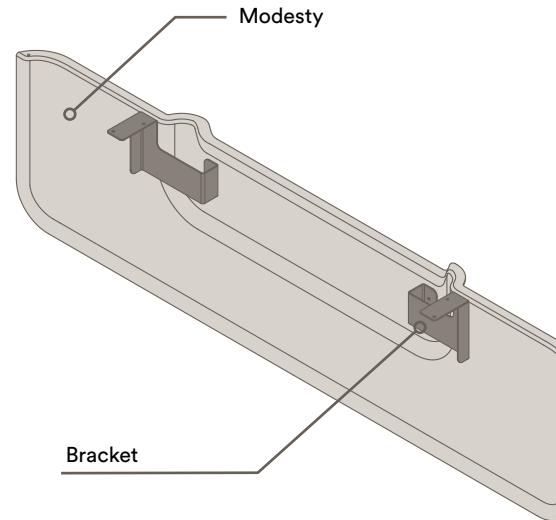
- a. Light Grey
- b. Dark Grey
- c. Oatmeal



Brackets

Powdercoated Mild Steel

Matte Black Powdercoat



Screenliner Cable Management

Materials Information

1. Cable Management Cover

2. Modesty

Formed PET

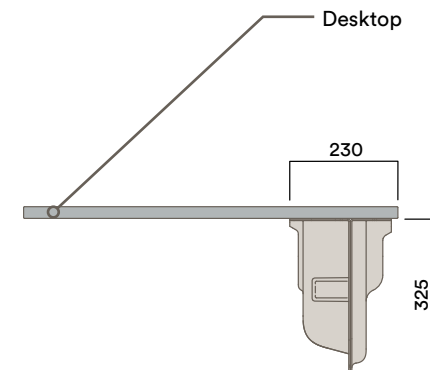
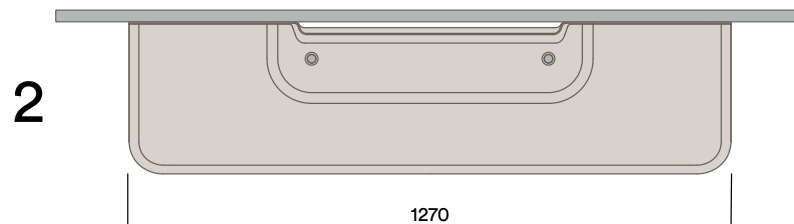
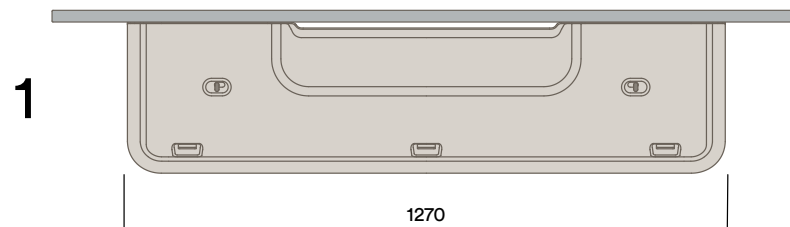
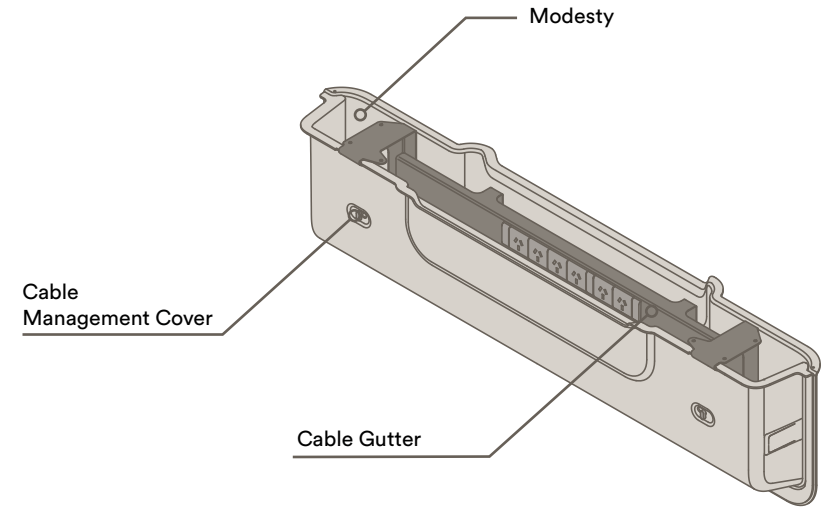
- a. Light Grey
- b. Dark Grey
- c. Oatmeal



Cable Gutter

Powdercoated Mild Steel

Matte Black Powdercoat



Screenliner Cable Management

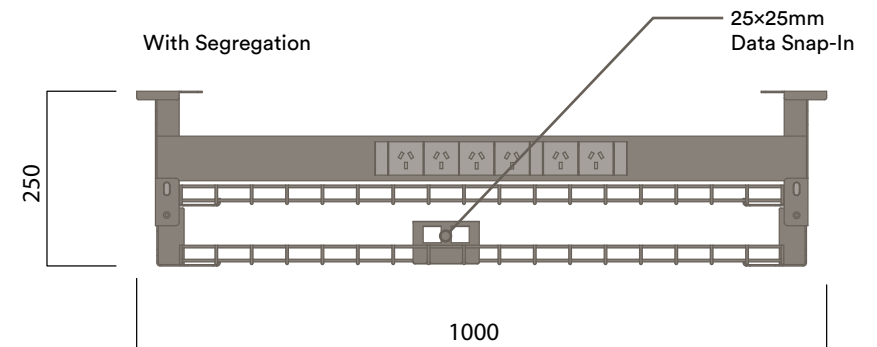
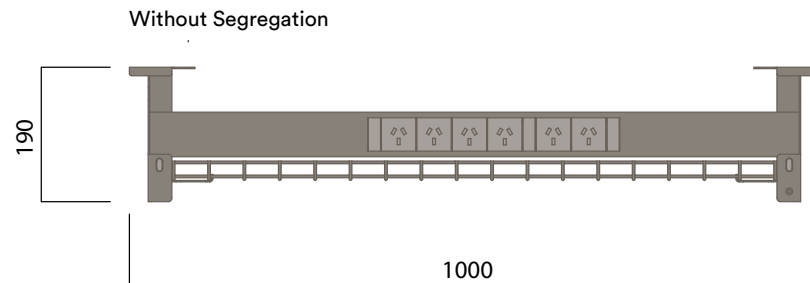
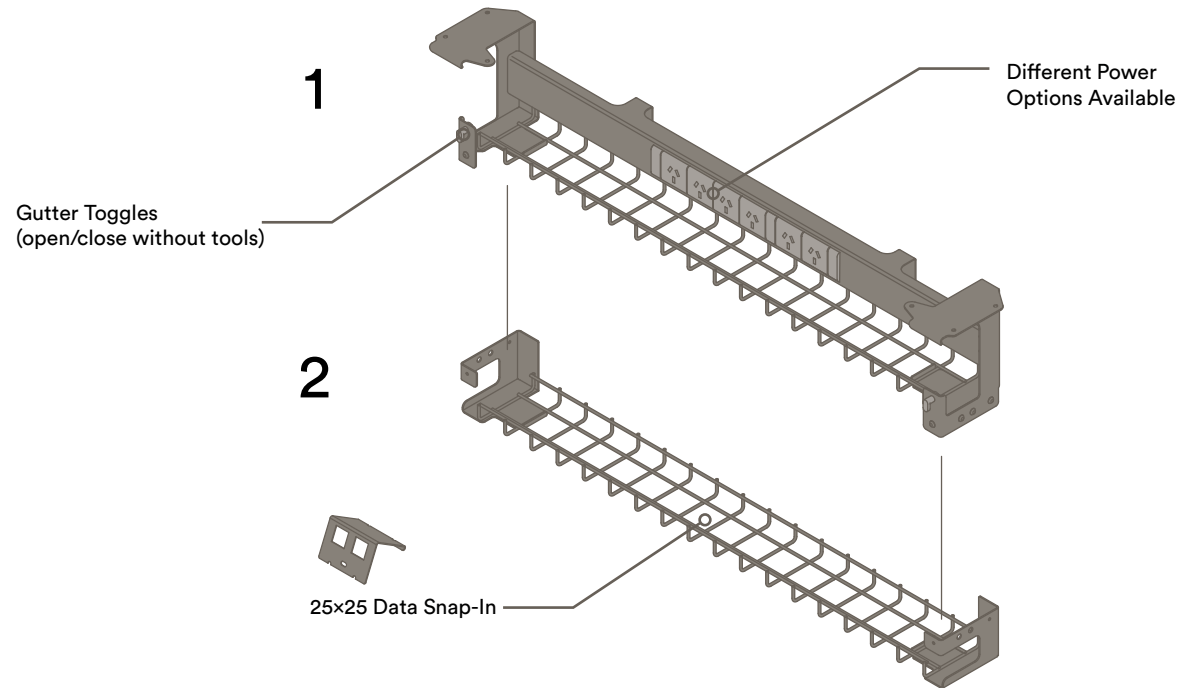
Cable Management Configurations:

1. Cable Management
without Segregation

2. Optional Data Segregation

Power options for different countries
available:

a. 6x Power Sockets



Screenliner Cable Management

Integrated Umbilical Cable

Rectangular Umbilical

Optional rectangular umbilical to the floor including bracket and anchor.

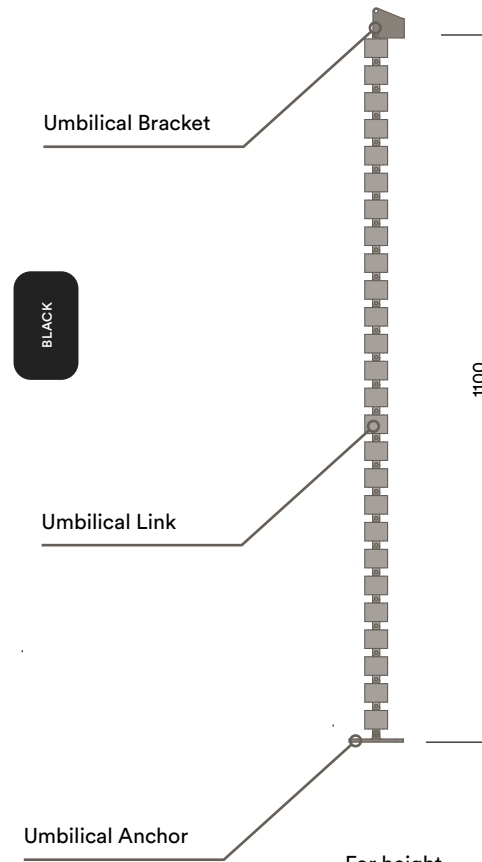
The umbilical is suitable for installation on both the left and right side of the cable basket.

- Height adjustable desk:**
The umbilical is suitable for worktops with a travel distance of 600 to 1250mm.
- Fixed height desk:**
The umbilical is suitable for worktops with a fixed height of 720mm.

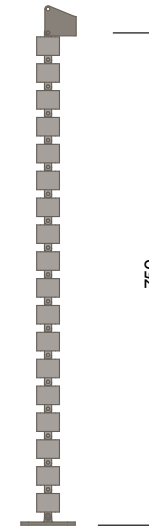
Cascading Power

Optional bracket to cascade power from one Screenliner unit to another is available.

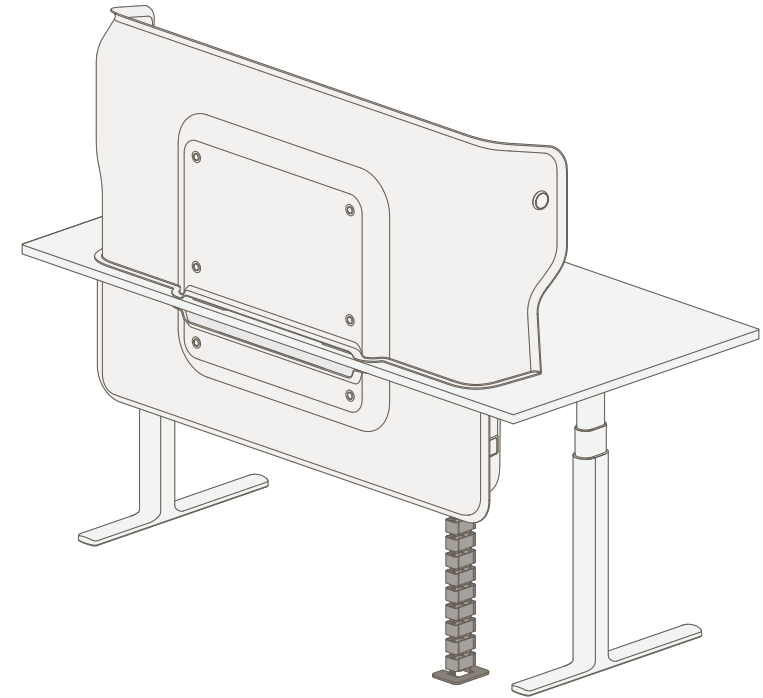
Black rectangular plastic umbilical with black powdercoat bracket & anchor.



For height adjustable desk



For fixed height desk (720mm height)



Screenliner Finishes

All Screenliner Finishes:

Formed PET Colours:



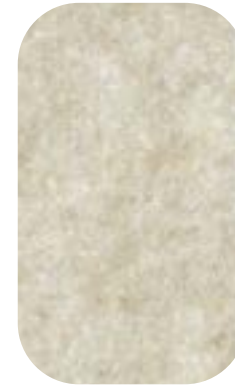
Light Grey

Formed PET Panel



Dark Grey

Formed PET Panel



Oatmeal

Formed PET Panel

Finishes for Storage Unit and Accessories:



Dark Grey

Soft Touch
Dark Grey
ABS Plastic



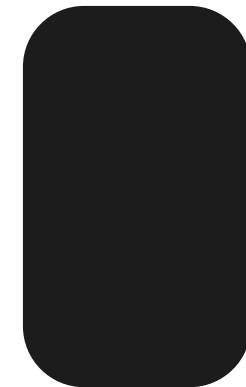
Black

Soft Touch
Black
ABS Plastic



Satin Nickel

Brushed Nickel
with Satin Finish



Black

Lightly Textured
Black Matte
Powder Coat



Specification

If you would like a sample set of any of our finishes, please call us on 61 (0)2 9726 7177 or e-mail at sales@thinkingw.com.

Due to our policy of continuous product development, specifications and finishes may change without prior notice.

Sustainability Policy

We realise the importance of responsible business practices and have in place numerous product and company sustainability certifications. We would encourage you to download our annual Sustainability Report from the Thinking Works website to get a full overview of our sustainability program.

Thinking Works
© Copyright 2018
All right reserved

Thinking Works
25 Helles Avenue
Moorebank
New South Wales 2170

www.thinkingw.com
61 (0)2 9726 7177
sales@thinkingw.com