

Product tear sheet

VANDAL seating and side table range

Lead time: 4-5 weeks

Origin: ottomans, tops - NSW, table base – NSW or Taiwan



VANDAL short task or collaboration area setting requests casual approach to aid spontaneous brainstorming sessions, it seeks to dial down a notch slightly more serious corners of an office space.

Side table provides user with work surface that is a little more than some space to put laptop down - option to add wireless charging device is available

Ottomans - somewhat basic, however statement is still delivered through inverted stitch detail, pockets to store the trail mix snack.

Call: [0410528300](tel:0410528300)

Visit: [380 Princess Highway, St. Peters, NSW 2044](https://www.klarodesign.com.au)

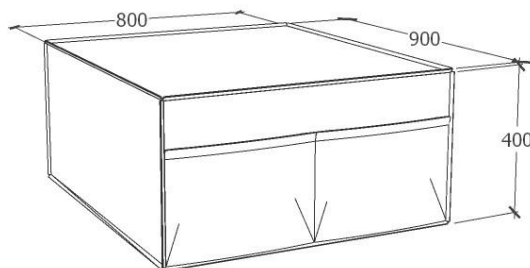
Email: alona@klarodesign.com.au



Product tear sheet

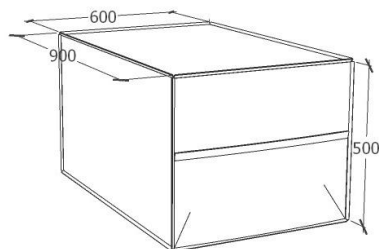
OTTOMAN No1

MDF construction with concealed glides, Commercial grade foam. Upholstery: Camira Blazer range or leather to specification.



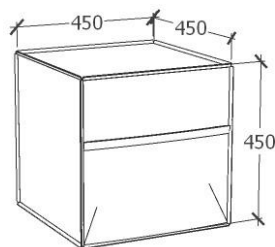
OTTOMAN No2

MDF construction with concealed glides, Commercial grade foam. Upholstery: Camira Blazer range or leather to specification.



OTTOMAN No3

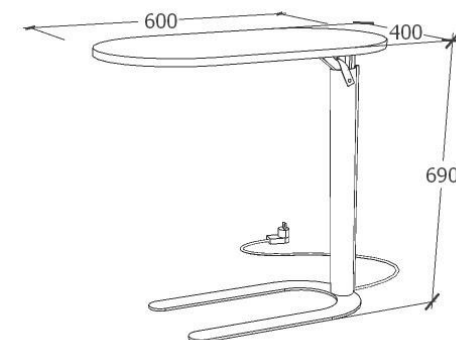
MDF construction with concealed glides, Commercial grade foam. Upholstery: Camira Blazer range or leather to specification.



CHARGING SIDE TABLE

Mild steel base powder coated to Standard Dulux or Interpon colour range
Plywood top with Forbo furniture linoleum top surface in available colours

Camira Blazer cable cover
Charging equipment: ARC-H Wireless Charger
Oeelsafe



SIDE TABLE

Mild steel base powder coated to Standard Dulux or Interpon colour range
Plywood top with Forbo furniture linoleum top surface in available colours

