

## COLUMN workstation and table base system

### STOCK

Unique 60/90 joining plates allow for irregular shaped tops to be well supported through the entire area without the need to modify.

Height: 720mm and 1000mm with 25mm thick top

Depth: 800 - 1800mm

Length: 1200-2400mm, with infinite length of modular base and tops set up

Lead time: quick ship, 2-3 weeks

Configuration: linear, back to back, L shape and irregular trapezium shaped tops where 90, 60, 120 degree angles are used.

Origin: China

### MTO

Height: 450 - 1100mm

Depth: fully custom

Length: fully custom

Lead time: 4-5 weeks

Configuration: fully custom

Origin: NSW

Available as a supply and fit item or supply only stock base components



# Product tear sheet

## TOP FINISHES:

**Cost effective:** Laminex core commercial melamine range,

**Mid range:** Polytec Ravine or Woodmatt range,

**Premium:** Extended Polytec or Laminex laminate ranges, Painted MDF or plywood with polyurethane finish, Plywood with Forbo Furniture Linoleum range top surface Veneer

## BASE FINISH:

**MTO:** Dulux or Interpon standard powder coat ranges, black adjustable feet.

**STOCK:** White or black matt powder coat, black adjustable feet.

Stocked modular components are highly flexible and are equally suitable as a workstation and table base.

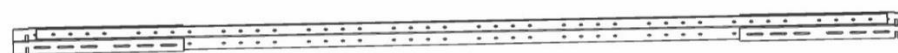
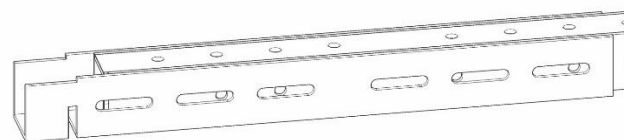
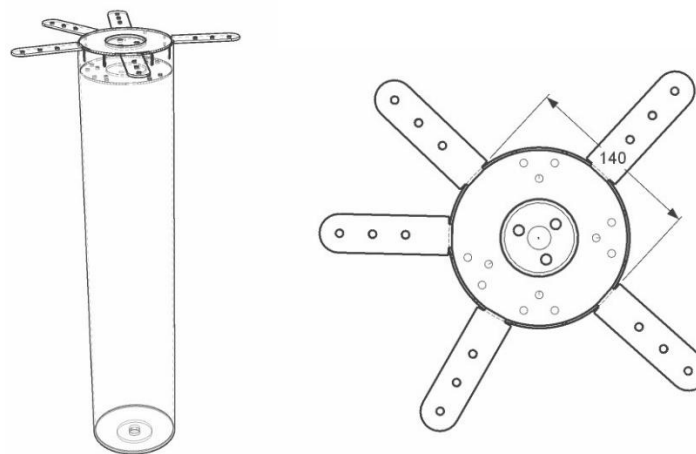
Made to order system provides almost unlimited configuration possibilities.

## STOCK COMPONENTS:

*695mm H.& 972mm H. x 140mm Dia. leg, complete with 60/90 mounting plate and 50mm black adjustable foot.*

*400mm beam sleeve, can be cut to size.*

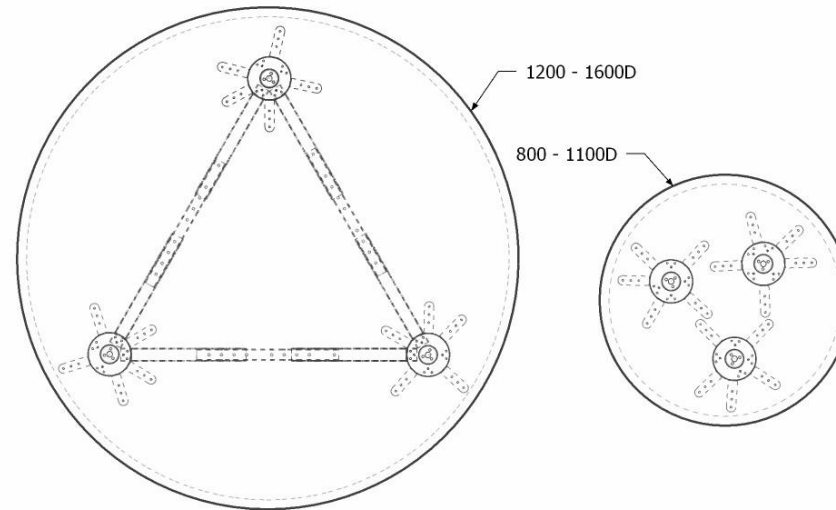
*2000mm pre-drilled beam, to be cut to required size.*



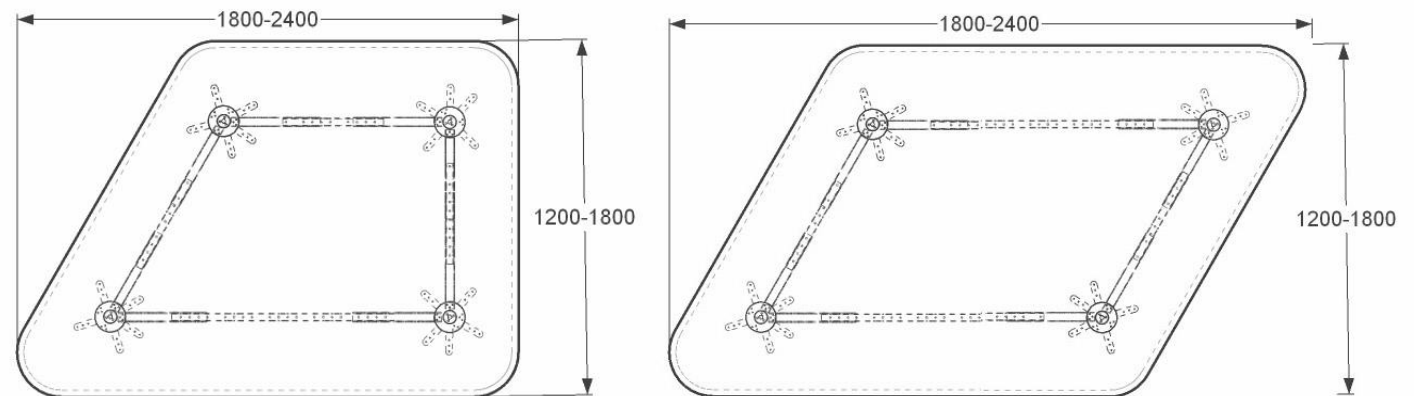
# Product tear sheet

## TOP CONFIGURATIONS:

### Circular

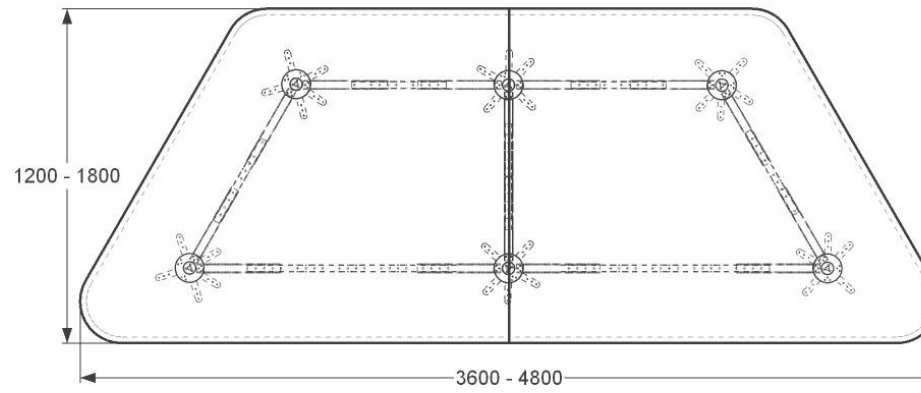


### Irregular trapezium

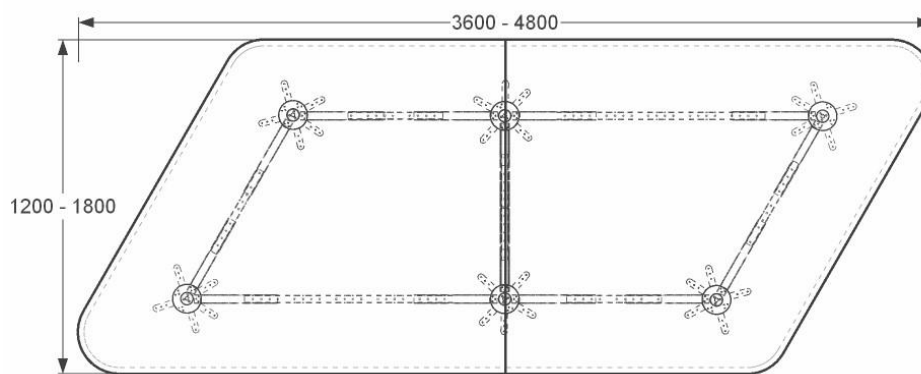


# Product tear sheet

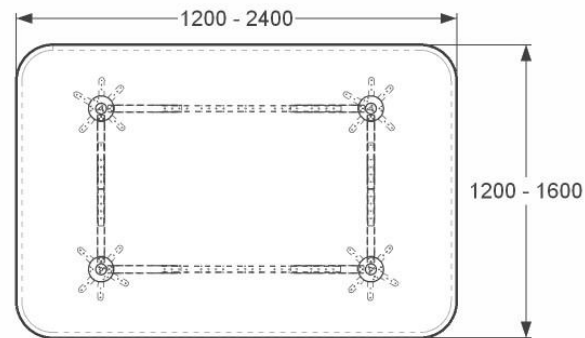
*Multiple piece top trapezium*



*Multiple piece top trapezium*



*Square or rectangular*



# Product tear sheet

*Multiple piece rectangular*

