

# Product tear sheet

## OBLONG workstation and table base system - stock option

Height: 720 and 1000mm with 25mm thick top

Lead time: 2-3 weeks

Origin: Taiwan

Finish: Paperbark or Iron satin powder coat, with Iron colour powder coated beams

## OBLONG workstation and table base system - MTO

Height: 720 and 1000mm with 25mm thick top

Lead time: 4-6 weeks

Origin: NSW

Finish: Interpon or Dulux stocked powder coat colours



# Product tear sheet

## OBLONG legs - stock:

OL-End-15:  
W1400 x H695  
15° End Leg



OL-End-30:  
W1400 x H695  
30° End Leg



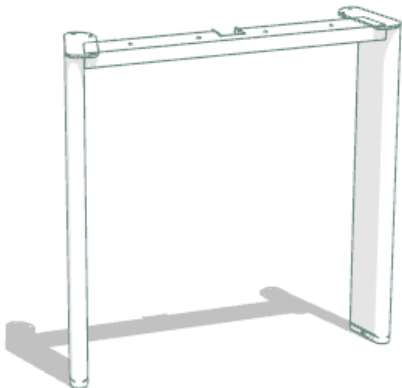
OM-End-15:  
W1000 x H695mm  
15° End Leg



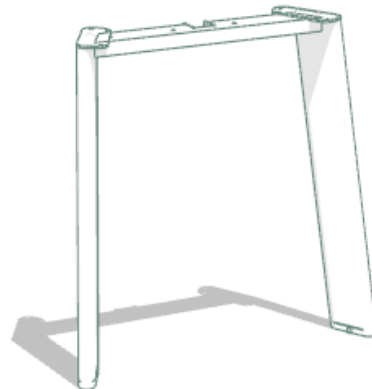
OM-End-30:  
W1000 x H695  
30° End Leg



OS-End-15:  
W700 x H695  
15° End Leg



OS-End-30:  
W700 x H695  
30° End Leg



OS-End-15:  
W345 x H695  
15° End Leg



OS-End-30:  
W345 x H695mm  
30° End Leg

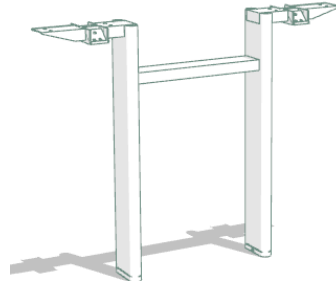


# Product tear sheet

OM-Mid:  
W840 Middle Leg



OM-BOX\_Mid:  
W840 Middle Leg with drop beam



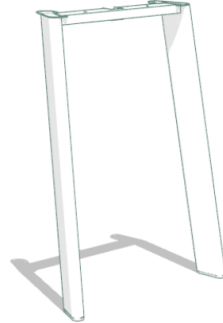
OS-Mid:  
W244 Middle Leg



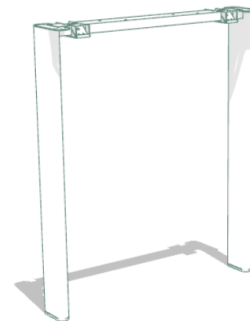
OMB-End-30:  
W1000 x H975  
30° End Leg



OSB-End-30:  
W670 x H975  
30° End Leg



OMB-Mid:  
W842 x H975 Middle Leg



OSB-Mid:  
W424 x H975 Middle Leg



O-Leg:  
H695 Single Leg



O-Leg-30:  
H695 30° Single Leg



OB-Leg-30:  
H975 30° Single Leg





# Product tear sheet

## HOOK beams - stock:

### ADJUSTABLE:

2400 - 1700 mm (1400 mm beam + 1200 sleeve)

1800 - 1400 mm (600 mm beam + 1200 sleeve)

1600 - 1200 mm (900 mm beam + 750 sleeve)

1300 - 1000 mm (600 mm beam + 750 sleeve)

Adjustability range as measured from centre of connected legs  
Suitable for top support and leg connection where length adjustability is required

### FIXED:

1570 mm

1370 mm

1070 mm

770 mm

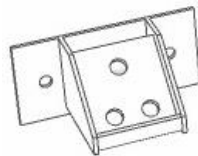
570 mm

Length as measured from centre of connected legs  
Suitable for top support and leg connection where length adjustability is not required

### HOOK PLATE:

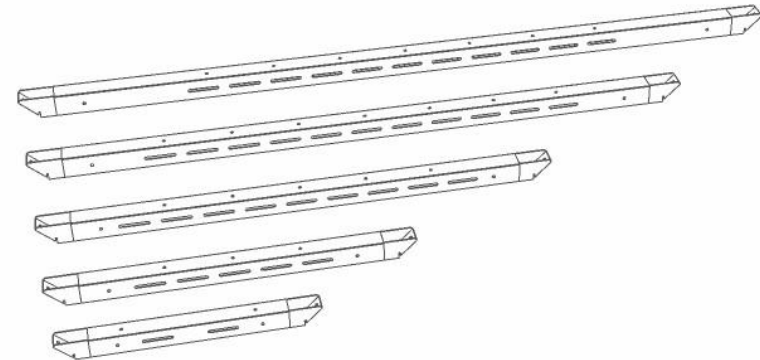
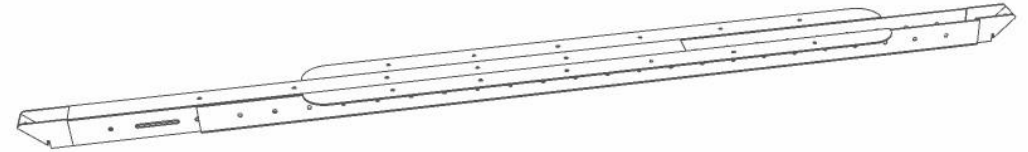
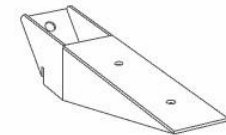
#### HOOK\_P

Used to make T junction connection,  
For L shape desks or width decrease configurations  
as well as melamine storage integration



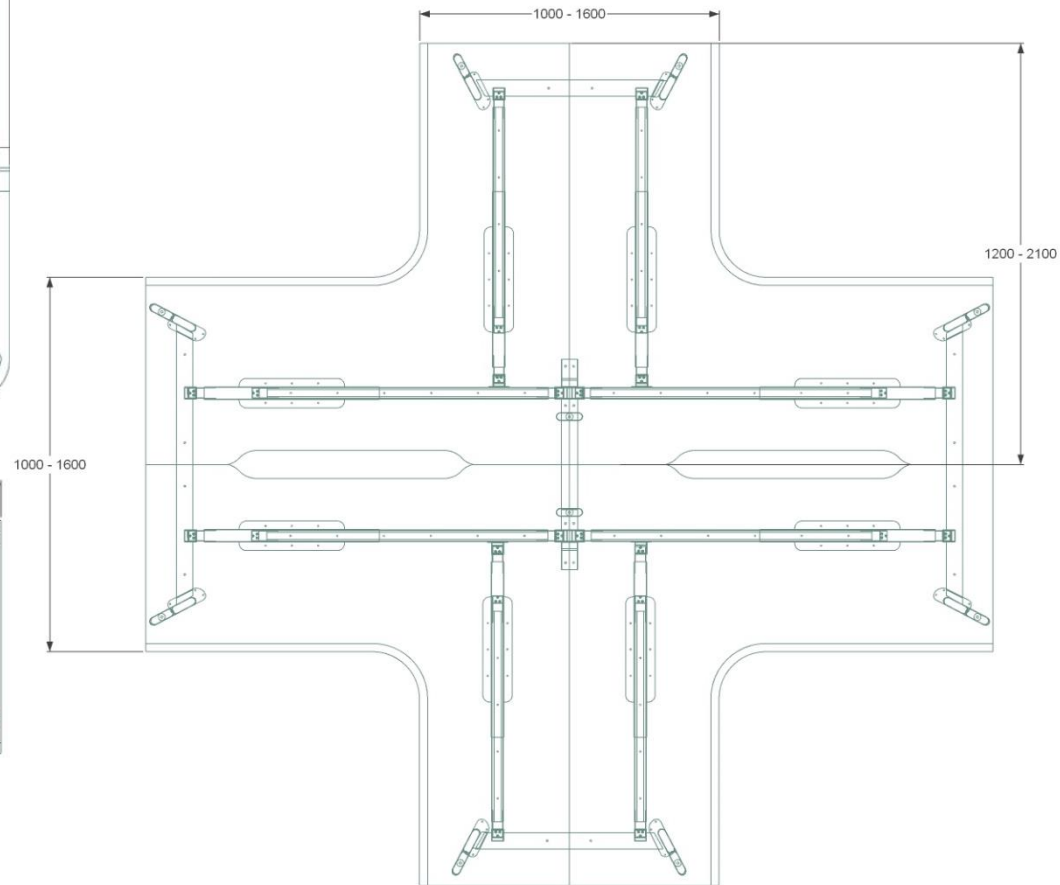
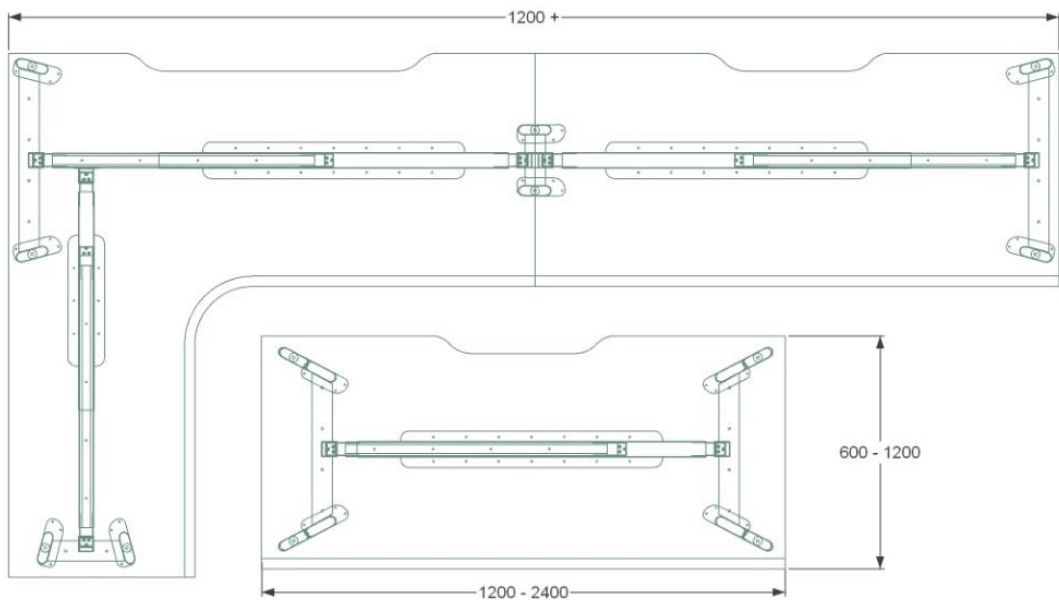
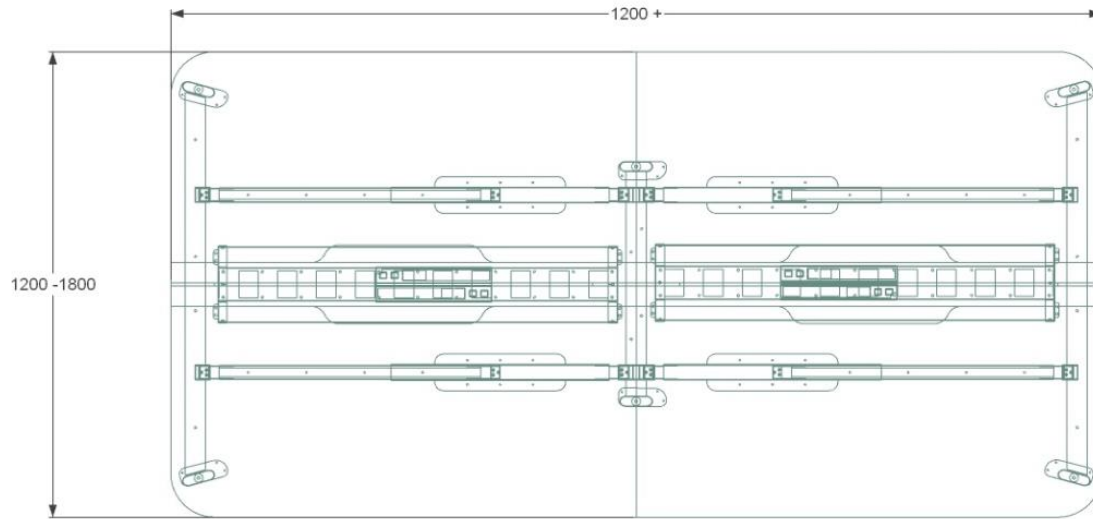
### HOOK HORN:

Creates extended support to top, where  
beam is not suitable

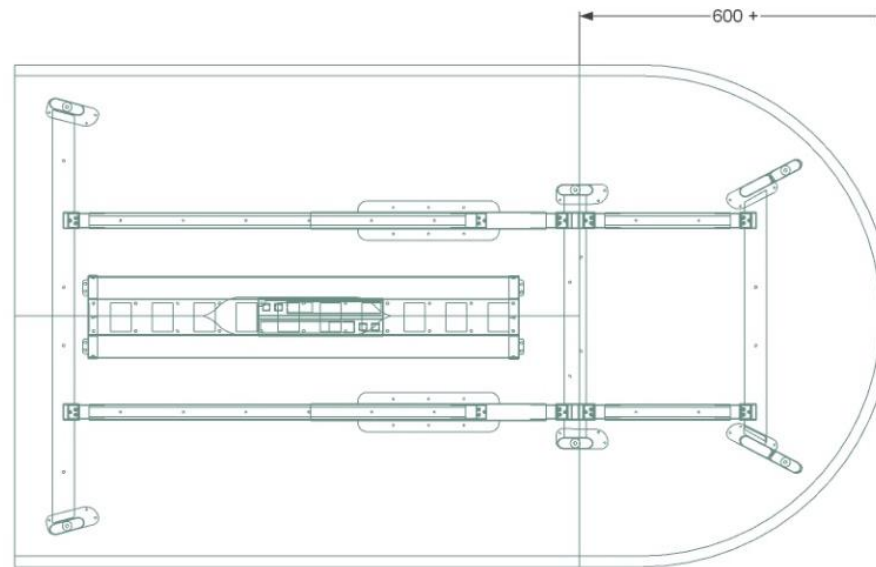
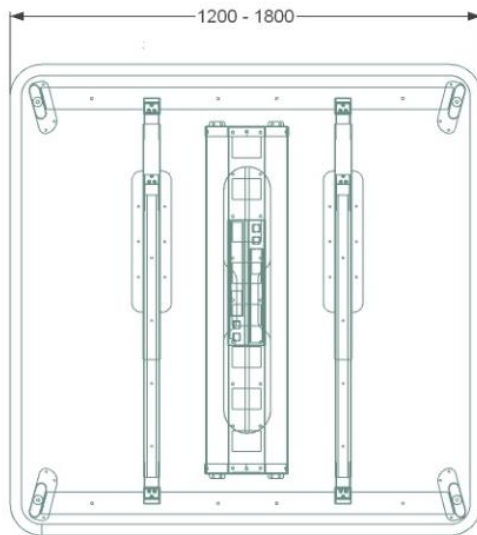
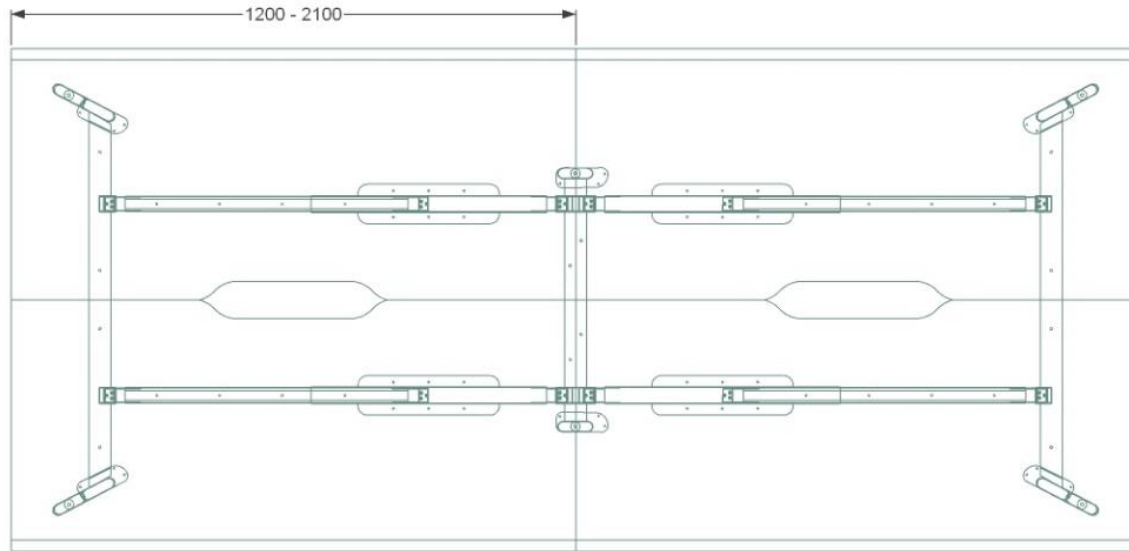


# Product tear sheet

## Standard workstation and table configuration examples



# Product tear sheet



# Product tear sheet

