



# Rosie

Specification Guide

# Rosie

## A Modular System Designed For Collaboration.

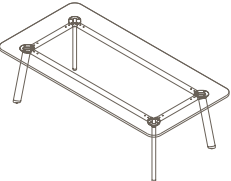
Whether it's a formal staff meeting or a quick catch up over coffee, Rosie's range of accessories and modular components provide the flexibility to suit any environment.

Available in three heights and with the option to add castors, Rosie is just as at home in the centre of a crucial brainstorming session as it is for a casual 1:1 meeting.

# Rosie

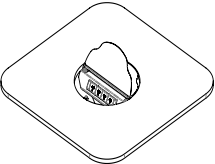
## Tables

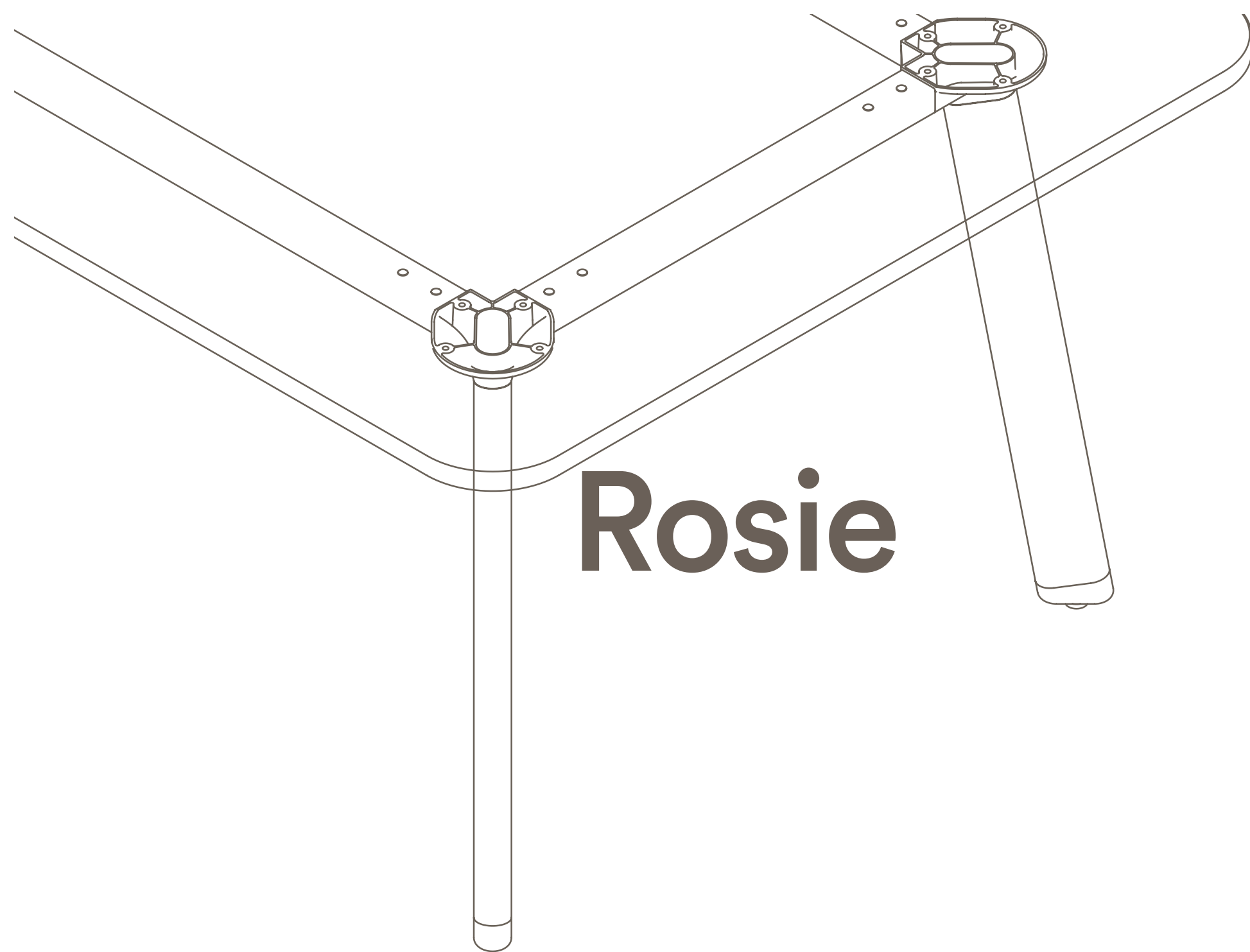
5-12



## Accessories

13





**Rosie**

# Tables Finishes

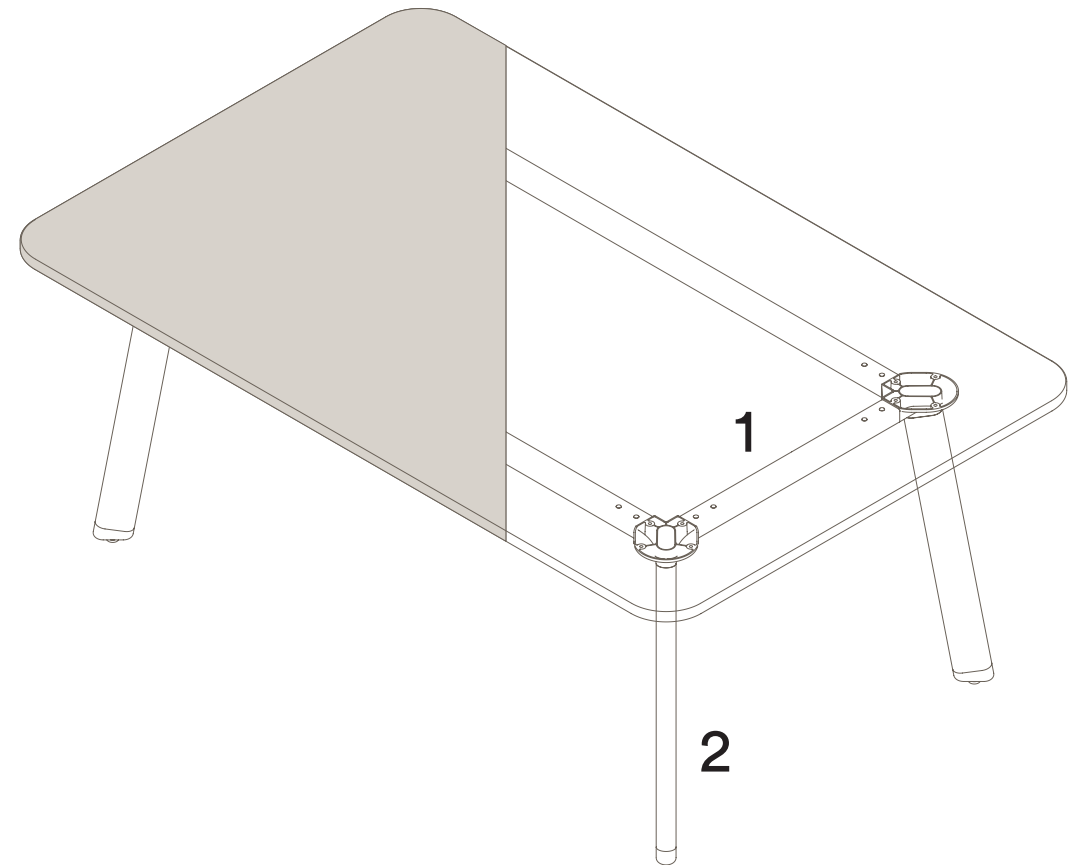
## 1. Standard Finishes

Rosie legs and frame, made from steel and aluminium, are available in Blanc and Noir.



## 2. Premium Leg Finishes

We offer premium Rosie leg finishes in our current season powder coat colours.



Colours are representative only, please check with your Thinking Works consultant to view samples of any specific colour and confirm availability in your country/region. Please note that pricing will vary based on your selected finish.

# Rosie

## Square/Round Tables

### Materials Information

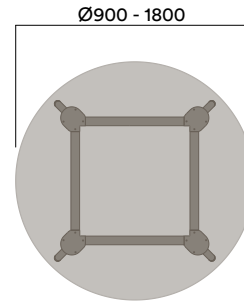
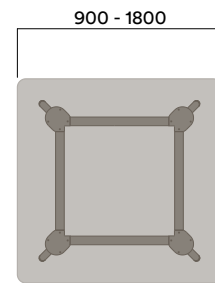
#### Frame Finish

Powdercoat Steel & Aluminium Frame

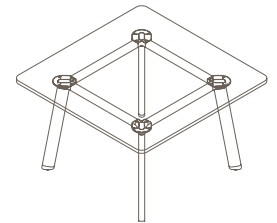
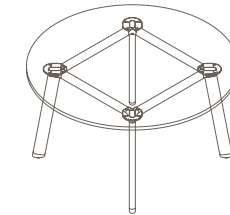
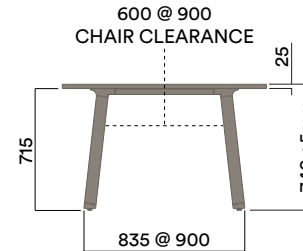
- a. Blanc (standard)
- b. Noir (standard)
- c. Double Cream
- d. Pink Salt
- e. Nocturnelle
- f. Morello
- g. Scotland Sky
- h. Green Smoke
- i. Moonshine
- j. Byron Blue
- k. Axel

Maximum inc. worktop 100kg  
 Maximum Point Load 30kg  
 Seats 2-8

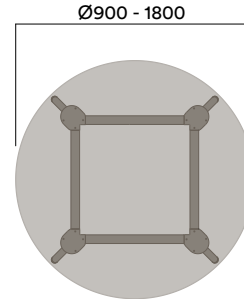
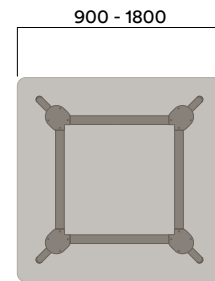
### ROD-1070



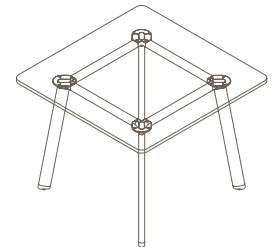
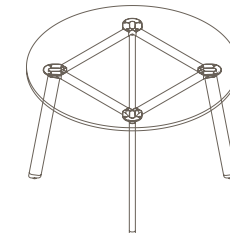
### 740 (sitting height)



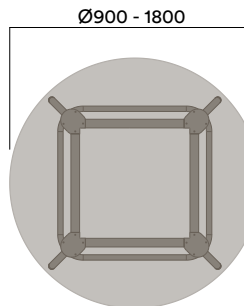
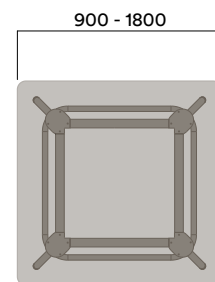
### ROD-9-1070



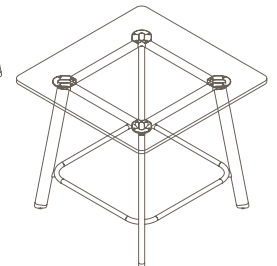
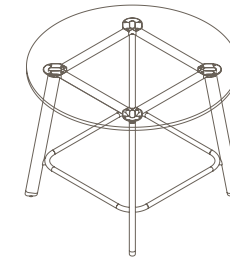
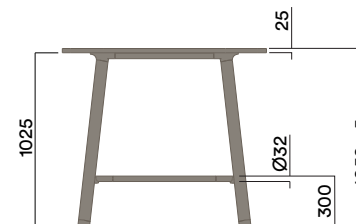
### 900 (bench height)



### ROD-10-1070



### 1050 (standing height)



# Rosie

## Square/Round Tables

### Materials Information

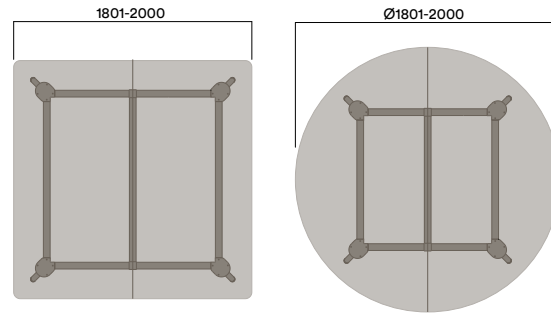
#### Frame Finish

Powdercoat Steel & Aluminium Frame

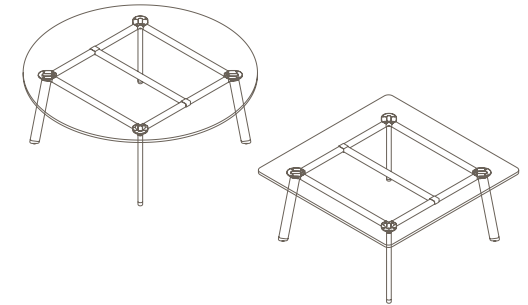
- a. Blanc (standard)
- b. Noir (standard)
- c. Double Cream
- d. Pink Salt
- e. Nocturnelle
- f. Morello
- g. Scotland Sky
- h. Green Smoke
- i. Moonshine
- j. Byron Blue
- k. Axel

Maximum inc. worktop 100kg  
 Maximum Point Load 30kg  
 Seats 2-8

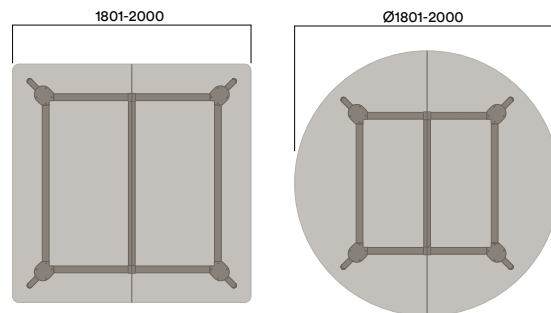
### ROD-1072



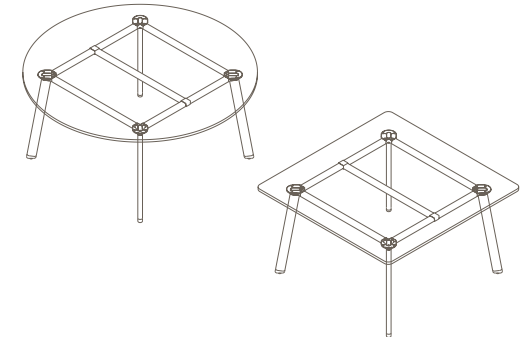
### 740 (sitting height)



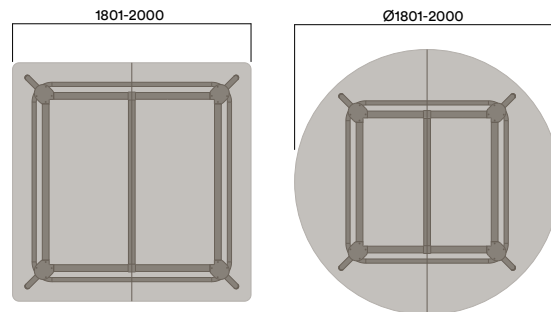
### ROD-9-1072



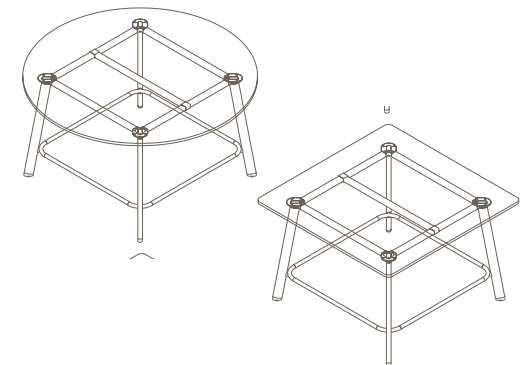
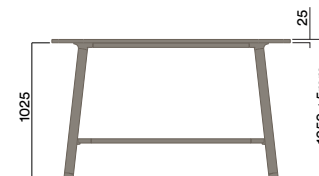
### 900 (bench height)



### ROD-10-1072



### 1050 (standing height)



# Rosie Meeting Tables

## Materials Information

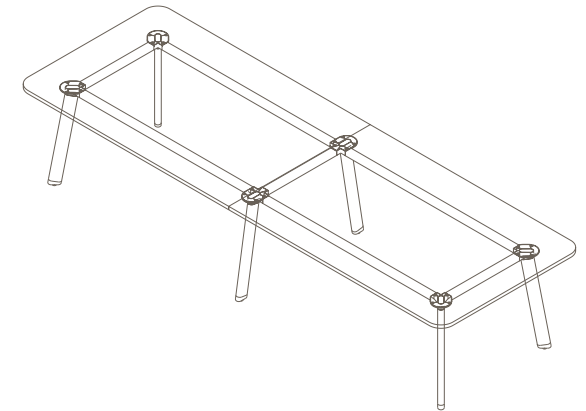
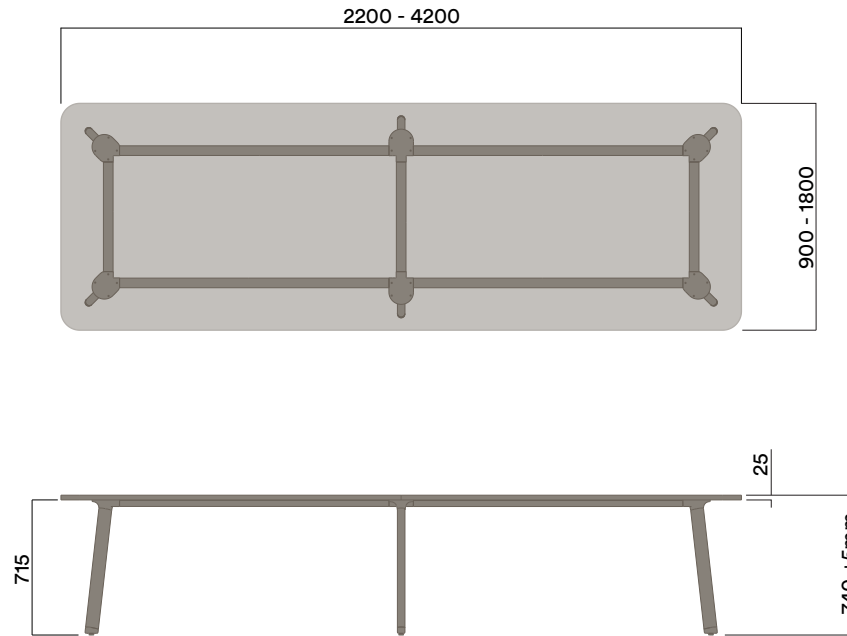
### Frame Finish

Powdercoat Steel & Aluminium Frame

- a. Blanc (standard)
- b. Noir (standard)
- c. Double Cream
- d. Pink Salt
- e. Nocturnelle
- f. Morello
- g. Scotland Sky
- h. Green Smoke
- i. Moonshine
- j. Byron Blue
- k. Axel

ROD-1051

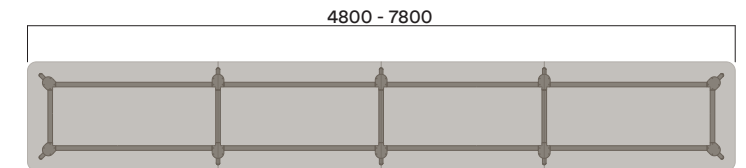
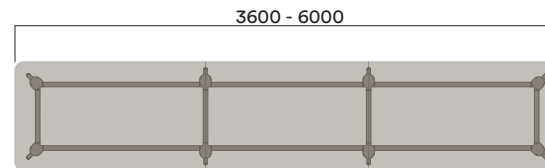
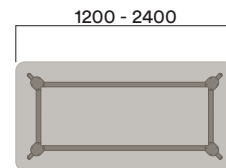
740 (sitting height)



ROD-1050

ROD-1052

ROD-1053



\*Sizes up to 9.6m available. For more information contact your Thinking Works consultant.

Maximum inc. worktop	100kg
Maximum Point Load	30kg
Seats	4-24



# Rosie Meeting Tables

## Materials Information

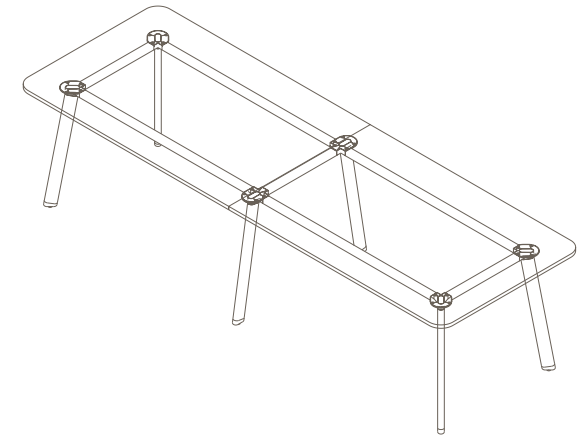
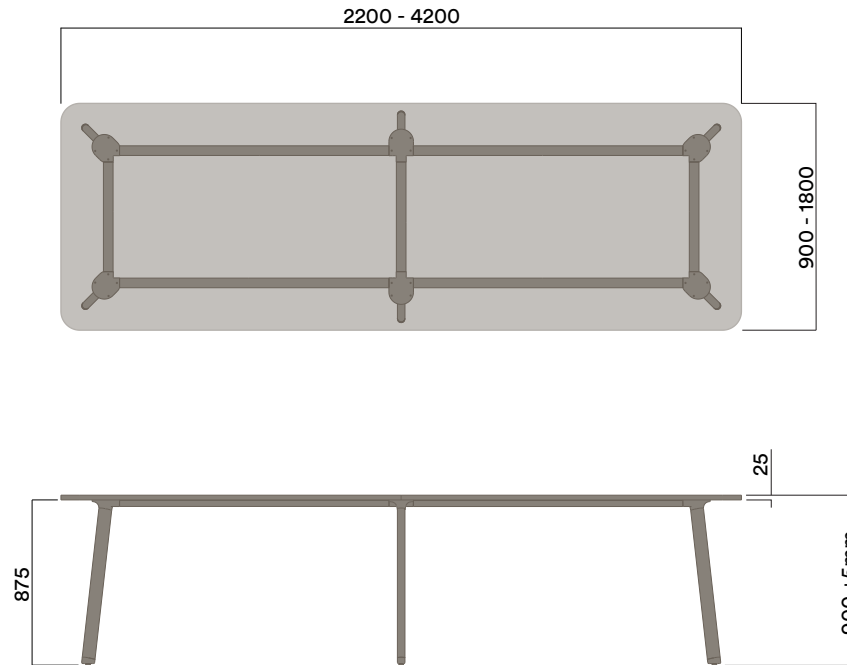
### Frame Finish

Powdercoat Steel & Aluminium Frame

- a. Blanc (standard)
- b. Noir (standard)
- c. Double Cream
- d. Pink Salt
- e. Nocturnelle
- f. Morello
- g. Scotland Sky
- h. Green Smoke
- i. Moonshine
- j. Byron Blue
- k. Axel

ROD-9-1051

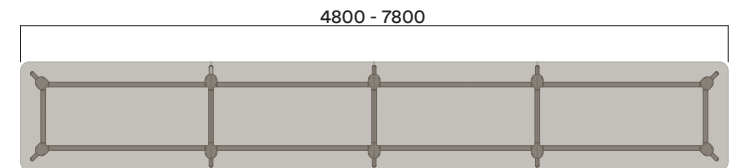
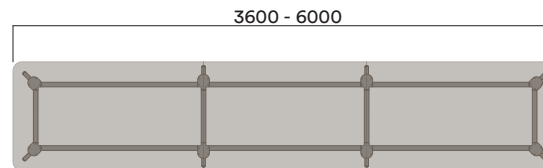
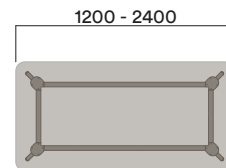
900 (bench height)



ROD-9-1050

ROD-9-1052

ROD-9-1053



\*Sizes up to 9.6m available. For more information contact your Thinking Works consultant.

Maximum inc. worktop	100kg
Maximum Point Load	30kg
Seats	4 - 24

# Rosie Meeting Tables

## Materials Information

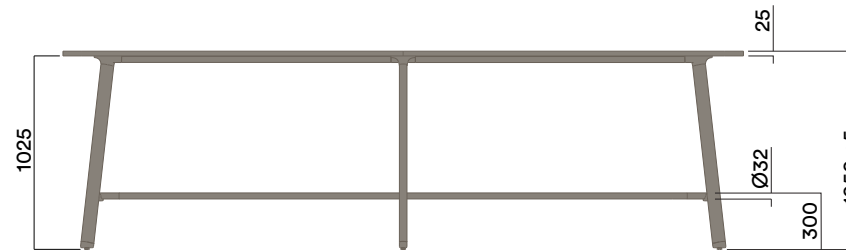
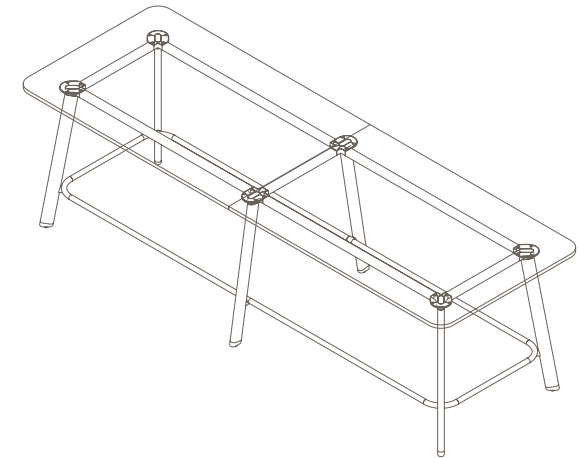
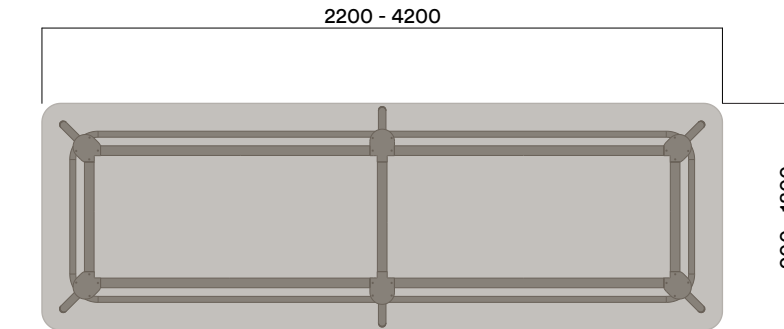
### Frame Finish

Powdercoat Steel & Aluminium Frame

- a. Blanc (standard)
- b. Noir (standard)
- c. Double Cream
- d. Pink Salt
- e. Nocturnelle
- f. Morello
- g. Scotland Sky
- h. Green Smoke
- i. Moonshine
- j. Byron Blue
- k. Axel

ROD-10-1051

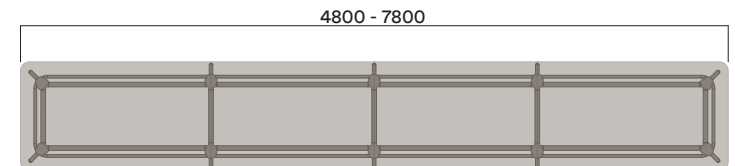
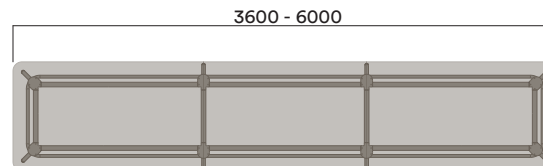
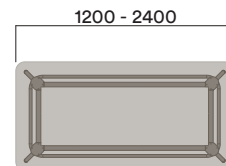
1050 (standing height)



ROD-10-1050

ROD-10-1052

ROD-10-1053



\*Sizes up to 9.6m available. For more information contact your Thinking Works consultant.

Maximum inc. worktop	100kg
Maximum Point Load	30kg
Seats	4-24

# Rosie

## Square/Round Tables on Castors

### Materials Information

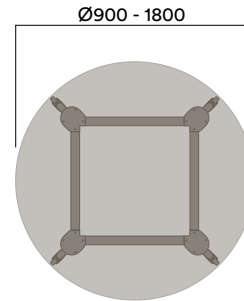
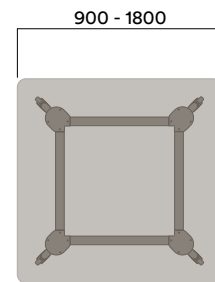
#### Frame Finish

Powdercoat Steel & Aluminium Frame

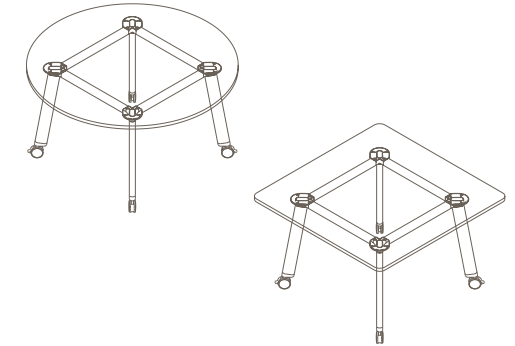
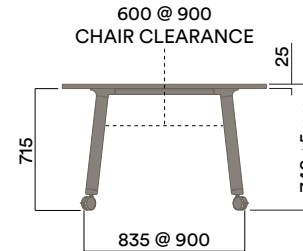
- a. Blanc (standard)
- b. Noir (standard)
- c. Double Cream
- d. Pink Salt
- e. Nocturnelle
- f. Morello
- g. Scotland Sky
- h. Green Smoke
- i. Moonshine
- j. Byron Blue
- k. Axel

Maximum inc. worktop 100kg  
 Maximum Point Load 30kg  
 Seats 2-8

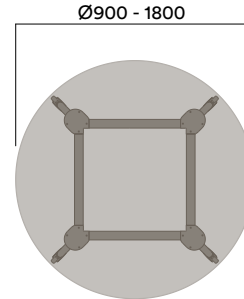
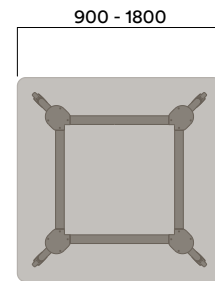
### ROD-1070-CA



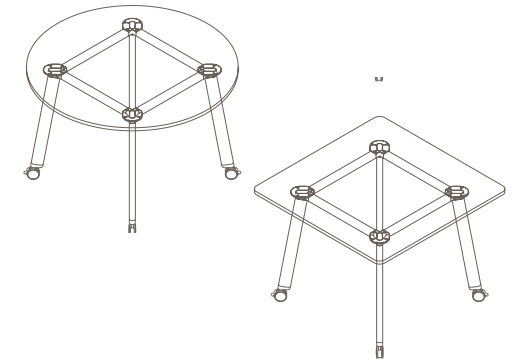
### 740 (sitting height)



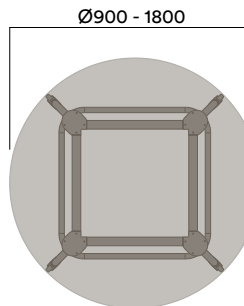
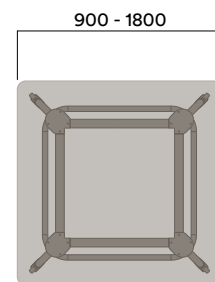
### ROD-9-1070-CA



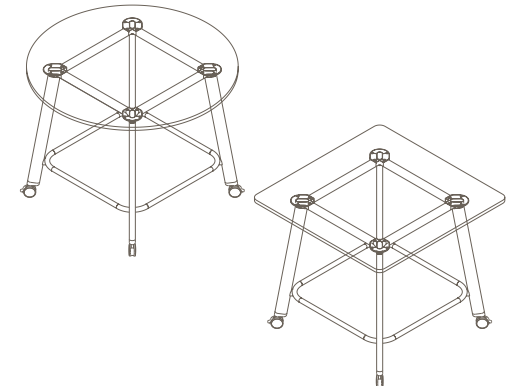
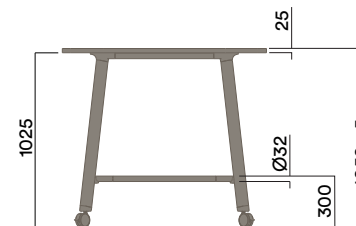
### 900 (bench height)



### ROD-10-1070-CA



### 1050 (standing height)



# Rosie

## Square/Round Tables on Castors

### Materials Information

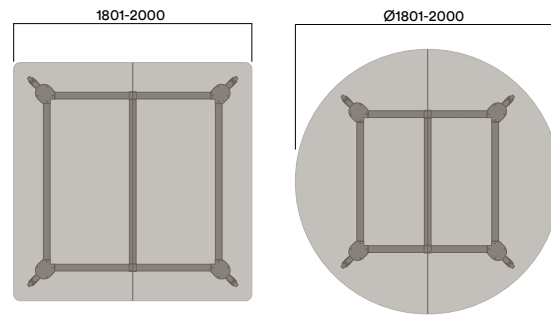
#### Frame Finish

Powdercoat Steel & Aluminium Frame

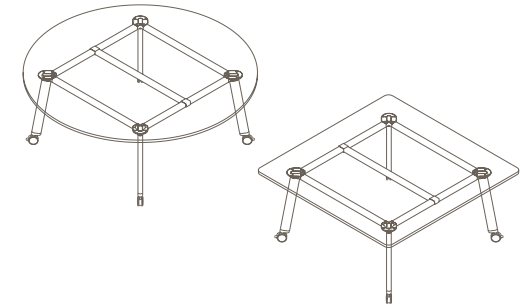
- a. Blanc (standard)
- b. Noir (standard)
- c. Double Cream
- d. Pink Salt
- e. Nocturnelle
- f. Morello
- g. Scotland Sky
- h. Green Smoke
- i. Moonshine
- j. Byron Blue
- k. Axel

Maximum inc. worktop 100kg  
 Maximum Point Load 30kg  
 Seats 2 - 8

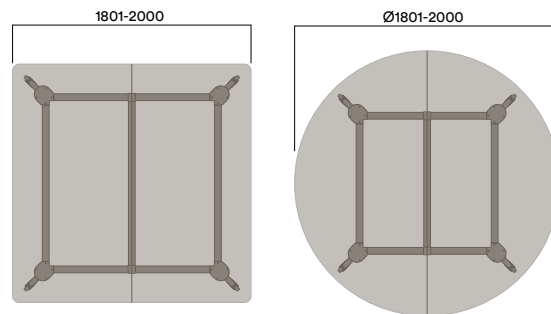
### ROD-1072-CA



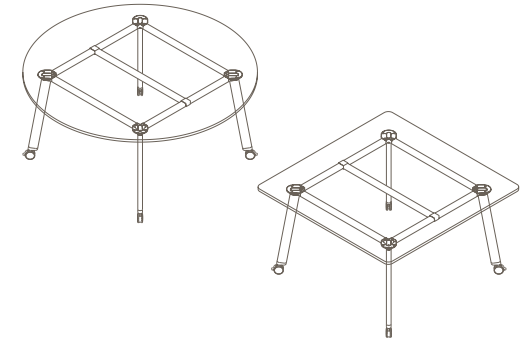
### 740 (sitting height)



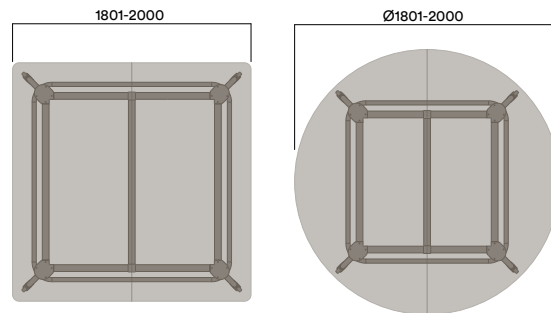
### ROD-9-1072-CA



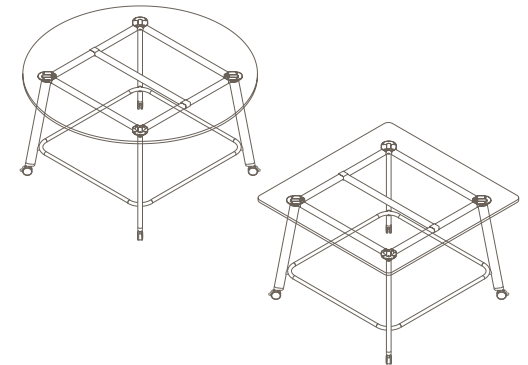
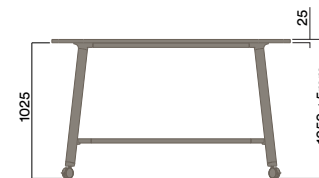
### 900 (bench height)



### ROD-10-1072-CA



### 1050 (standing height)



# Rosie Meeting Tables on Castors

## Materials Information

### Frame Finish

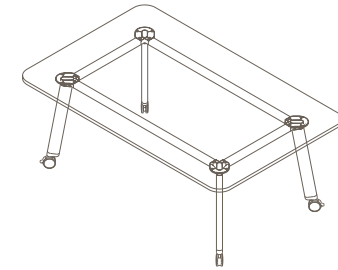
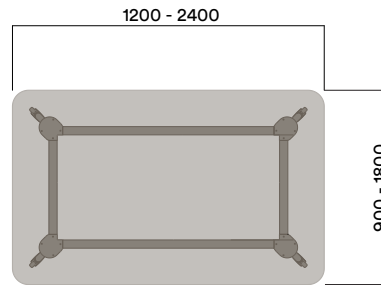
Powdercoat Steel & Aluminium Frame

- a. Blanc (standard)
- b. Noir (standard)
- c. Double Cream
- d. Pink Salt
- e. Nocturnelle
- f. Morello
- g. Scotland Sky
- h. Green Smoke
- i. Moonshine
- j. Byron Blue
- k. Axel

Maximum inc. worktop 100kg  
 Maximum Point Load 30kg  
 Seats 2 - 8

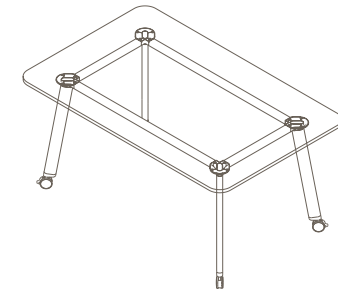
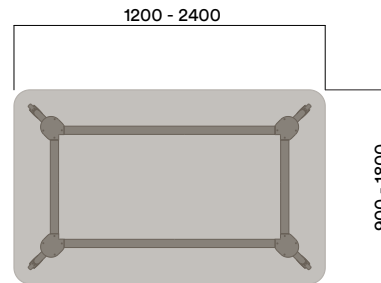
## ROD-1050-CA

740 (sitting height)



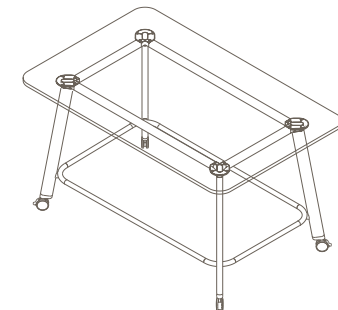
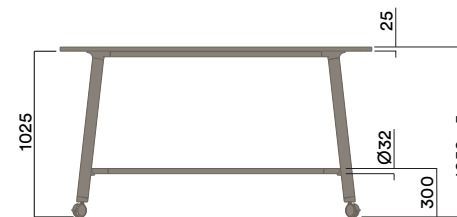
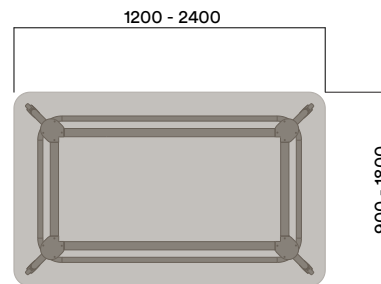
## ROD-9-1050-CA

900 (bench height)



## ROD-10-1050-CA

1050 (standing height)



# Accessories

## Power Vortex

### Materials Information

#### Power Pocket Lid

Powder coat Steel

- a. Noir
- b. Blanc
- c. Other Colour

#### Power Pocket Bracket

Powder coat Steel

- a. Noir

#### Fabric Cable Pocket

Fabric

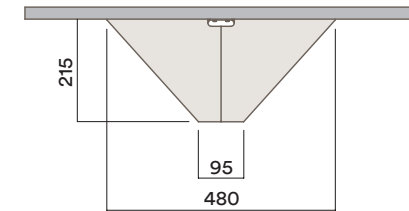
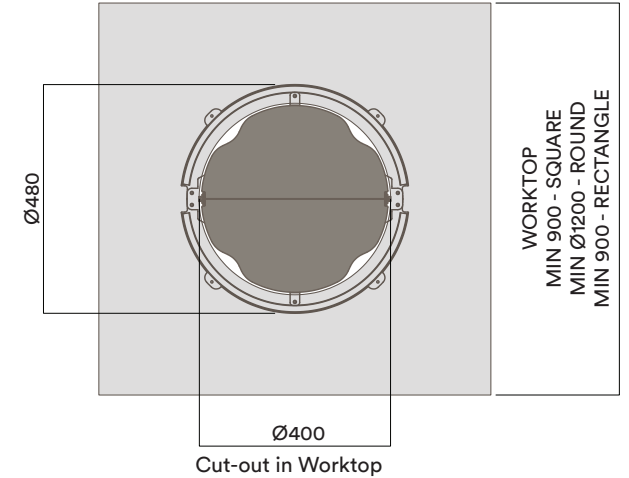
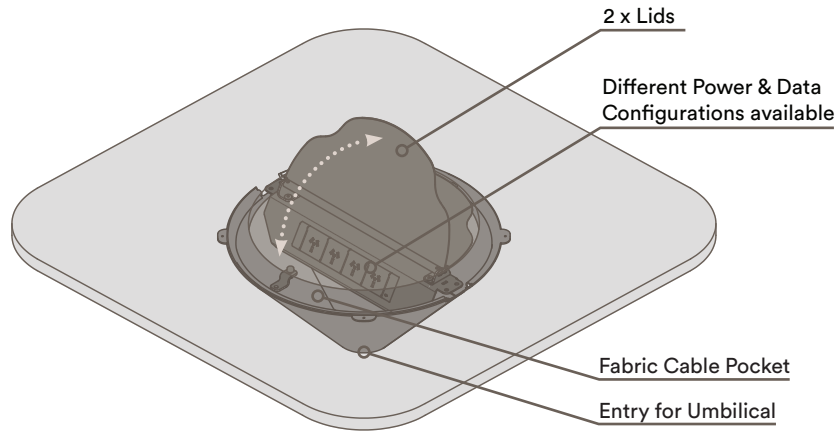
- a. Light Grey
- b. Dark Grey

#### Available Power & Data Options:

- a. 2 x Power & 2 x Data (AUS)
- b. 4 x Power (AUS)

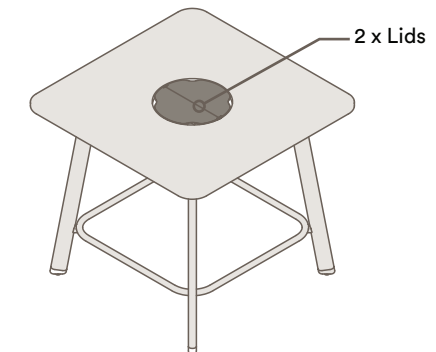
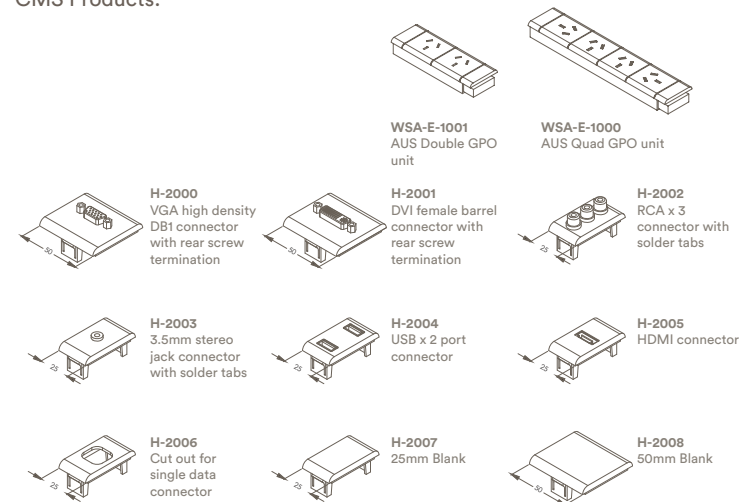
RL-8050

Power Vortex



#### Power & Data Configurations:

Powerbox has 2 x 236 x 41.5 cut-outs and is compatible to a wide range of CMS Products:



# Accessories

## Power Plant-er

### Materials Information

#### Power Planter Frame

Powder coat Steel

- a. Noir
- b. Blanc
- c. Other Colour

#### Power Planter Top and Base

Painted MDF

- a. Noir
- b. Blanc
- c. Other Colour

#### Curved PET

Fabric

- a. Light Grey
- b. Dark Grey

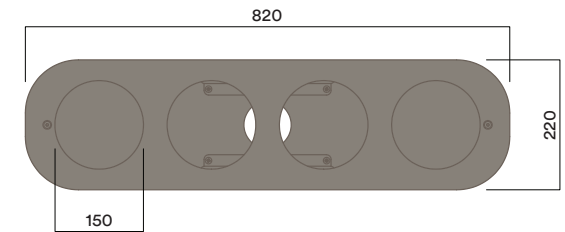
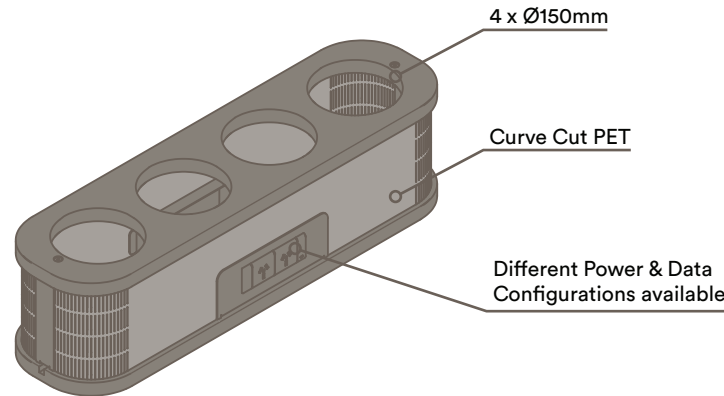
#### Available Power & Data Options:

- a. 2 x Power & 2 x Data (AUS)
- b. 2 x 2 Power (AUS)

Sold exclusively through Burgtec

RL-8051

Power Plant-er

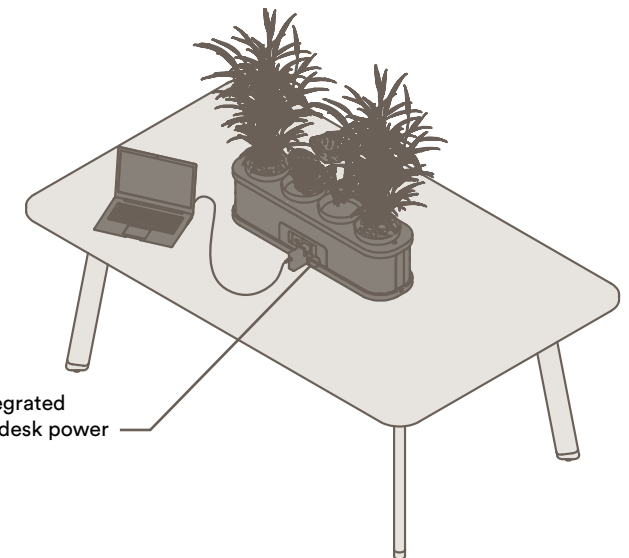
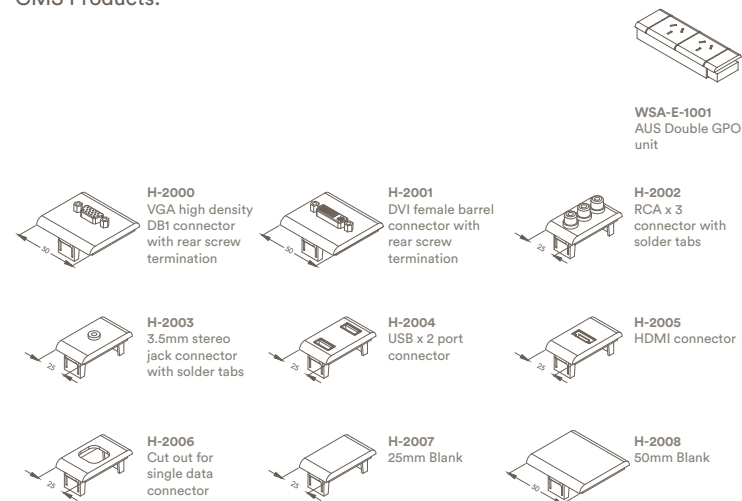


Placed on Worktop  
powered through Gromet



#### Power & Data Configurations:

Powerbox has 2 x 136 x 41.5 cut-outs and is compatible to a wide range of CMS Products:





## Specification

If you would like a sample set of any of our finishes, please call us on 61 (0)2 9726 7177 or e-mail at [sales@thinkingw.com](mailto:sales@thinkingw.com).

Due to our policy of continuous product development, specifications and finishes may change without prior notice.

## Sustainability Policy

We realise the importance of responsible business practices and have in place numerous product and company sustainability certifications. We would encourage you to download our annual Sustainability Report from the Thinking Works website to get a full overview of our sustainability program.

Thinking Works  
© Copyright 2022  
All right reserved

Thinking Works  
15-23 Helles Avenue  
Moorebank  
New South Wales 2170

[www.thinkingw.com](http://www.thinkingw.com)  
61 (0)2 9726 7177  
[sales@thinkingw.com](mailto:sales@thinkingw.com)