
Ocular Table



Understanding

Ocular Table	2
--------------	---



Specifying

Ocular Table	4
Power Options	5

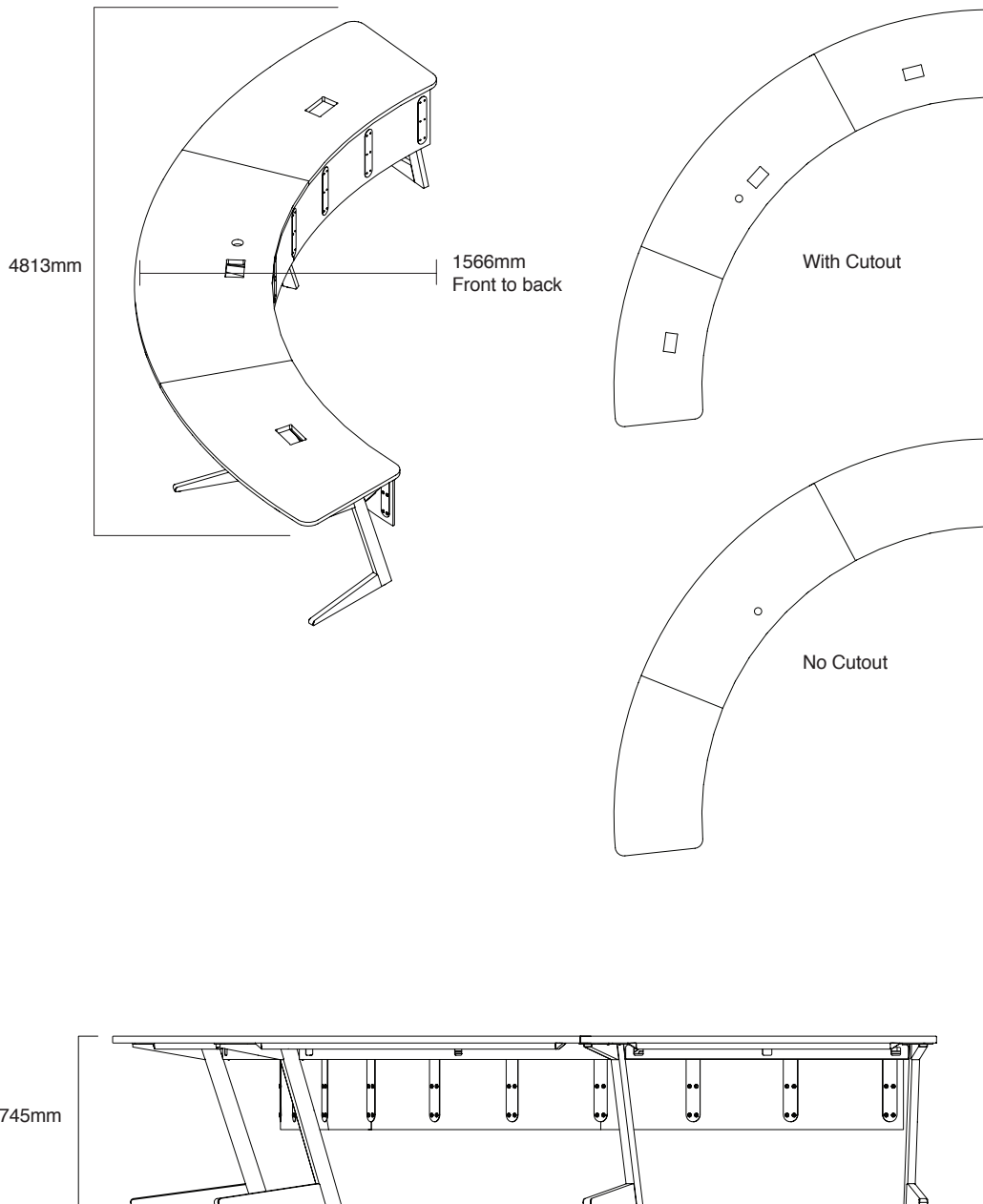


Surface Materials

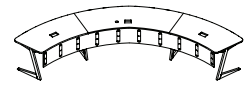
8

Ocular Table

Ocular Arc7



Product Details



Ocular Arc7 is a curved table designed specifically for video centered meetings. All seats (up to seven) are placed on a single side of the table to provide a premier video meeting experience for both in-room and virtual participants.

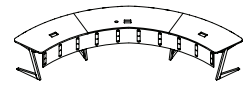
Three cutout options are currently available for the Ocular Table:

- **Without cutout:** Power module cutouts are not included with this configuration.
- **With cutout:** includes three 140.50x77.50mm cutouts for AH Meyer Netbox Line power module
- **With grommet:** includes a single 63.5mm grommet hole to accommodate for a room controller. Grommet cover not provided.

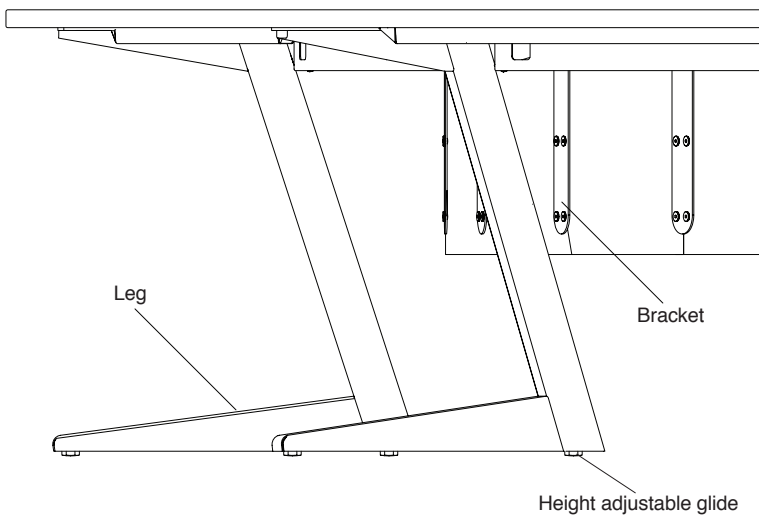
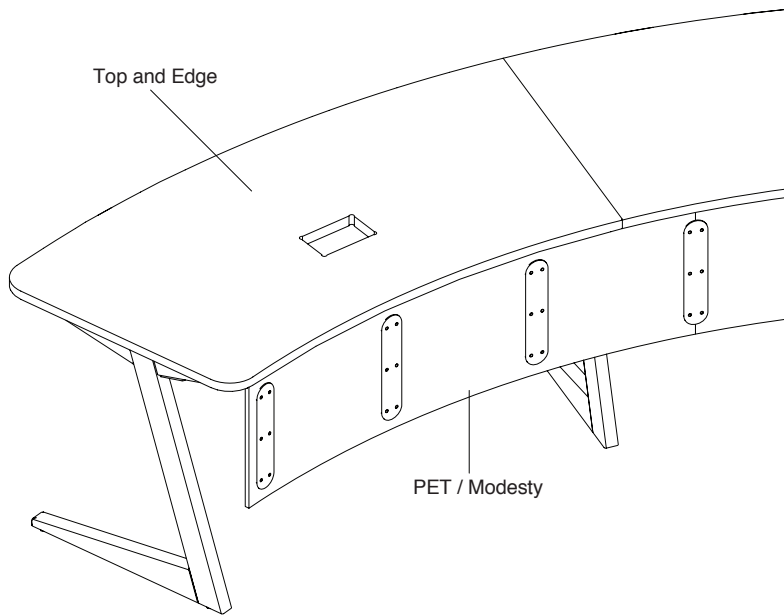
Actual Dimensions

Width	4813mm
Height	745mm
Depth	1566mm

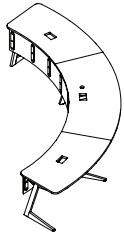
Product Details



Glides are height adjustable and have a range of 15mm.



Ocular Table



Standard Includes	Required to Specify
-------------------	---------------------

<ul style="list-style-type: none"> ▶ Need help? Product details, page 2 	<ul style="list-style-type: none"> • Top: Low-Pressure Laminate price group 1 with 1 and 2 mm plastic edge, curved shape, three sections • Legs: paint price group 1 • Modesty screen: PET, three sections with matching mounting brackets 	<ol style="list-style-type: none"> 1 Style number 2 Surface type (see below under Required Selections) 3 Surface power (see below under Required Selections) 4 Laminate color number for top 5 Plastic color number for 1 and 2 mm plastic edge 6 Paint color number for legs 7 PET color number for modesty screen
----------------------------------------------------------------------------------------	-----------------------------------------------------------------------------------------------------------------------------------------------------------------------------------------------------------------------------------------------------------------------------	------------------------------------------------------------------------------------------------------------------------------------------------------------------------------------------------------------------------------------------------------------------------------------------------------------------------------------------------------------------------------------------

Surface Type	Required Selections	List Price	Required to Specify
--------------	---------------------	------------	---------------------

Surface Type	• With grommet	No cost	Specify <i>with grommet</i> .
	• Without grommet	No cost	Specify <i>without grommet</i> .

Surface Power	• With cutout	No cost	Specify <i>with cutout</i> .
	• Without cutout	No cost	Specify <i>without cutout</i> .

Surface Materials	Low-Pressure Laminate Top		
	• Solid Laminate	No cost	Specify laminate color number.
	• Woodgrain Laminate	No cost	Specify laminate color number.

Surface Materials	Leg Finish		
	• Paint price group 1	No cost	Specify paint color number.
	• Paint price group 2	+\$800	Specify paint color number.
	• Paint price group 3	+\$1,200	Specify paint color number.

Surface Materials	Screen Finish		
	• BZ03 Dark Grey	No cost	Specify <i>with BZ03 Dark grey</i> .
	• BZ11 Silver	No cost	Specify <i>with BZ11 Silver</i> .

Surface Materials	Plastic Edgeband		
• Plastic price group 1	No cost	Specify plastic color number.	

Specification Information

• Style Number	• Dimensions			• List Price (USD)
	H	W	D	

Ocular Arc7

OCULAR7	745	4813	1566	\$8,300
----------------	-----	------	------	---------

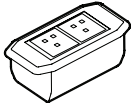
Power Options

Standard Includes	Required to Specify
<ul style="list-style-type: none"> Power module: paint 	Style number and country

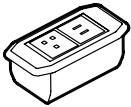
Specification Information

Style Number	List Price (USD)
--------------	------------------

AH Meyer Netbox Line Power Module



CF4TPWR	2 power	\$657
----------------	---------	-------



CF4USB	1 power, 2 USB	\$1,308
---------------	----------------	---------

Tip: Choose power option if you choose table top with power cutout.

Resources



Surface Materials

8

Surface Materials

Paint

Applies to:
• Legs

Price Group 1

BK Black
7241 Arctic White
Textured
4799 Platinum Metallic
7360 Merle

Price Group 2

4CZ6 Lagoon
1ATB Cloud
1ATJ Sea Salt
1ATH Olivine

Price Group 3

4B22 Matte Brass
4B23 Burnish Bronze
4B25 Matte Copper

LPL

Applies to:
• Top

Solid Laminate

AW01 Arctic White
2L83 Seagull
2LMG Merle

Woodgrain Laminate

160 Maple
25L8 Clear Walnut
2LAT Acacia

Plastic

Applies to:
• Edgeband

6009 Arctic White
6053 Seagull
6213 Acacia
6527 Merle
6537 Maple
6245 Clear Walnut

PET

Applies to:
• Modesty screen

BZ03 Dark Grey
BZ11 Silver