

---

# WorkValet Specification Guide

**Overview** **2**

**Statement of Line** **3**

## Understanding

WorkValet Overview **7**  
Specifying Logic **9**  
Product Details **16**  
Thought Starters **24**

## Specifying

Carcass **26**  
Drawer **28**  
Wardrobe Unit **30**  
Base **31**  
Cladding **32**  
Accessories **35**  
Locks **37**

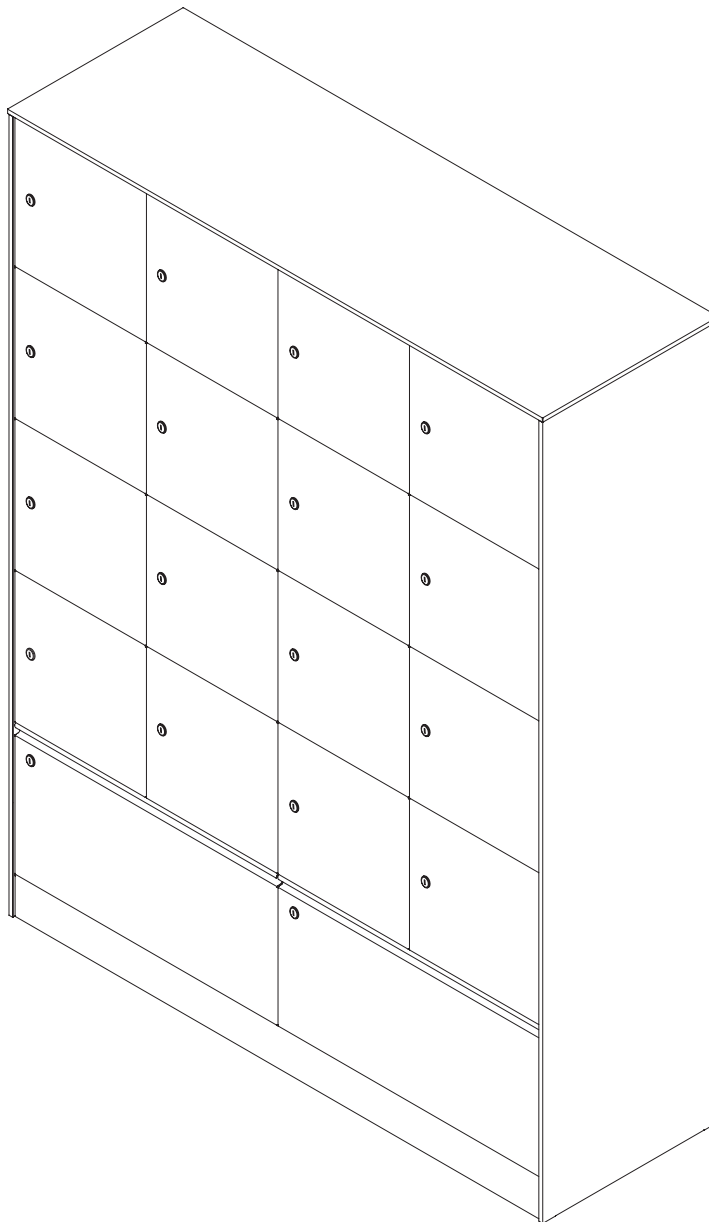
**Surface Materials** **42**

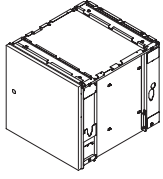
# Overview

: Reimagining lockers beyond storage, WorkValet is a blueprint for  
: organizations adopting flexible office landscapes. This storage system  
: pairs personal locker space with neighborhood applications and future  
: thinking technology to create relevant destinations in ever evolving hybrid  
: workspaces.

: WorkValet was designed as a simple locker system with a sophisticated  
: scalable design. The modular structure comes with integrated cable  
: routing and accessible hardware storage for network technology, bringing  
: organizations a smart locker system that helps them manage scale.

: WorkValet is lock agnostic system, compatible with multiple lock types.  
: The system can be fitted with mechanical key, dial and combination  
: locks, digital RFID locks and Network locks.

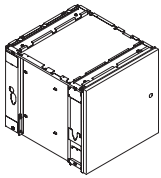




- Understanding
- ▶ Page 16
- Specifying
- ▶ Page 26

## Carcass Unit with Left Opening Door

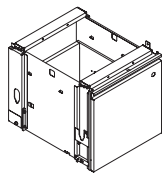
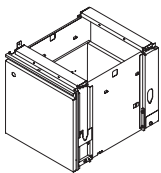
	400W	450W	500W
400H	●		
450H		●	
500H			●



- Understanding
- ▶ Page 16
- Specifying
- ▶ Page 26

## Carcass Unit with Right Opening Door

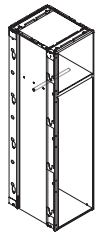
	400W	450W	500W
400H	●		
450H		●	
500H			●



- Understanding
- ▶ Page 18
- Specifying
- ▶ Page 28

## Drawer Unit

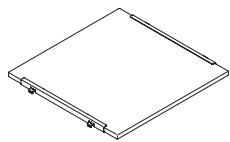
	Single Width			Double Width	
	400W	450W	500W	800W	900W
400H	●			●	
450H		●			●
500H			●		



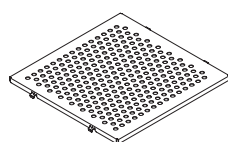
Understanding  
 ▶ Page 19  
 Specifying  
 ▶ Page 30

### Wardrobe Unit

	1200H	1350H	1500H	1600H	1800H	2000H
400W	●			●		
450W		●			●	
500W			●			●



LPL



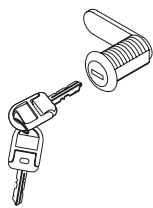
Metal

Understanding  
 ▶ Page 23  
 Specifying  
 ▶ Page 35

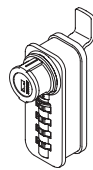
### Shelf

	400W	450W	500W
500D	●	●	●

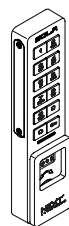
### Lock



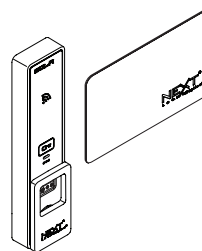
Key Lock



Dial Lock



Keypad Lock



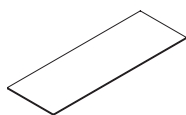
Digital - RFID Lock and User Card



Specifying  
▶ Page 32

### Side Cladding

	800H	900H	1000H	1200H	1350H	1500H	1600H	1800H	2000H
500D	●	●	●	●	●	●	●	●	●



Specifying  
▶ Page 33

### Top Cladding

	800W	900W	1000W	1200W	1350W	1500W	1600W	1800W	2000W
500D	●	●	●	●	●	●	●	●	●

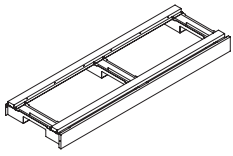


Specifying  
▶ Page 34

### Back Cladding

	2 Column Wide		1000W	2+1 Column Wide		
	800W	900W		1200W	1350W	1500W
800H	●			●		
900H		●			●	
1000H			●			●
1200H	●			●		
1350H		●			●	
1500H			●			●
1600H	●			●		
1800H		●			●	
2000H	●		●	●		●

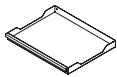




Specifying  
▶ Page 31

**Plinth Base**

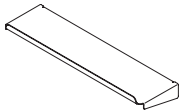
	800W	900W	1000W	1200W	1350W	1500W	1600W	1800W	2000W
500D	●	●	●	●	●	●	●	●	●



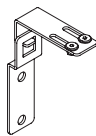
Specifying  
▶ Page 36

**Plinth Tray**

	800W	900W	1000W	1200W	1350W	1500W	1600W	1800W	2000W
	●	●	●	●	●	●	●	●	●

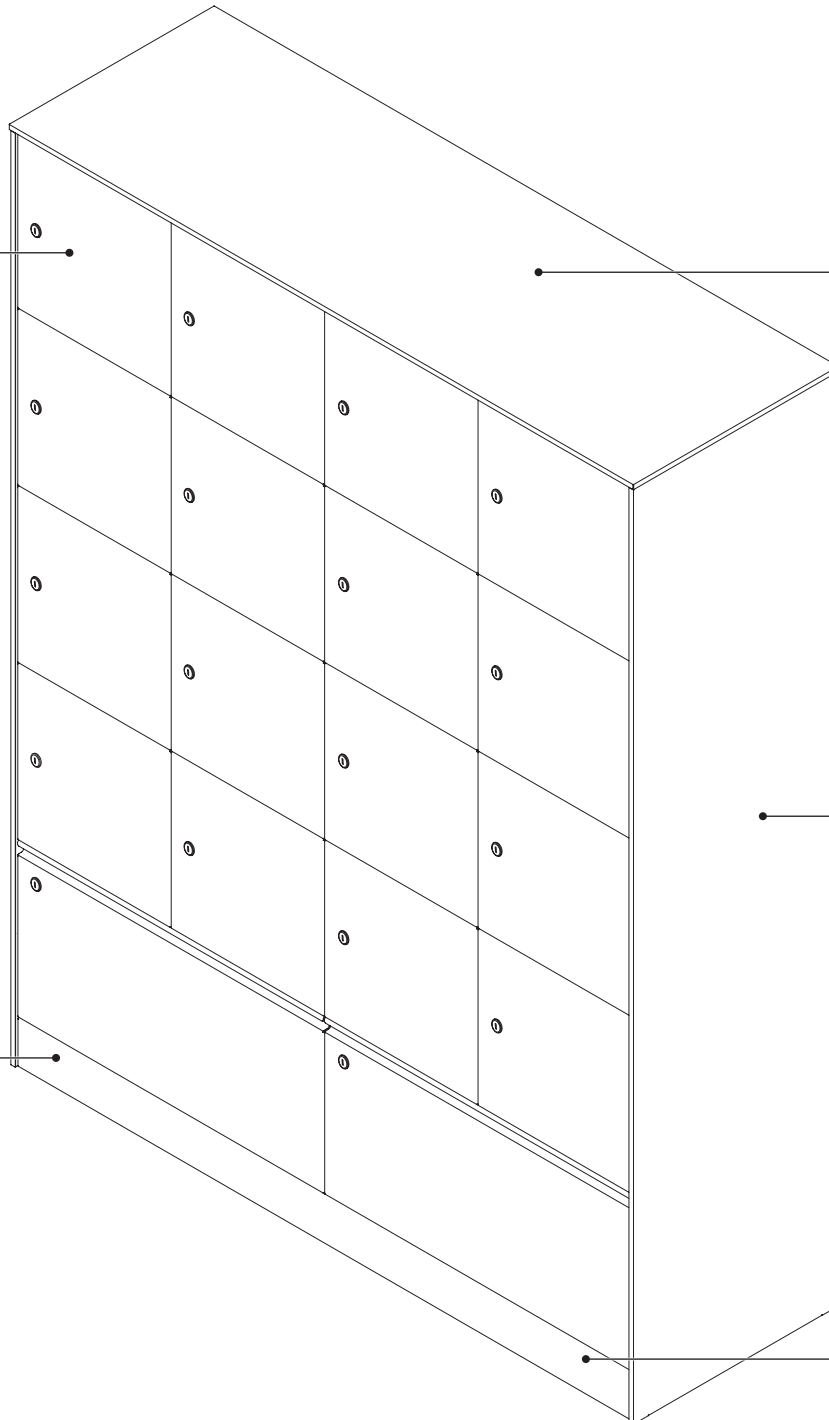


**Organizer**



**Wall Mount Bracket  
For Carcass**

**WorkValet** locker system is a combination of different style numbers such as base, carcass, drawers, cladding etc.



To start specifying, users need to determine the basic cell size of the **carcass**.

**Claddings** are applicable for free standing units. These are available for Top, back and side surfaces and act as covers hiding structural elements on carcass.

*Note: Claddings are optional for niche/structural fit out applications where the side, top and back surfaces will not be visible. users can opt out to not choose claddings.*

The height of the final tiers will depend on the base chosen and whether the drawer is specified or not.

**Drawer** is an individual style number.

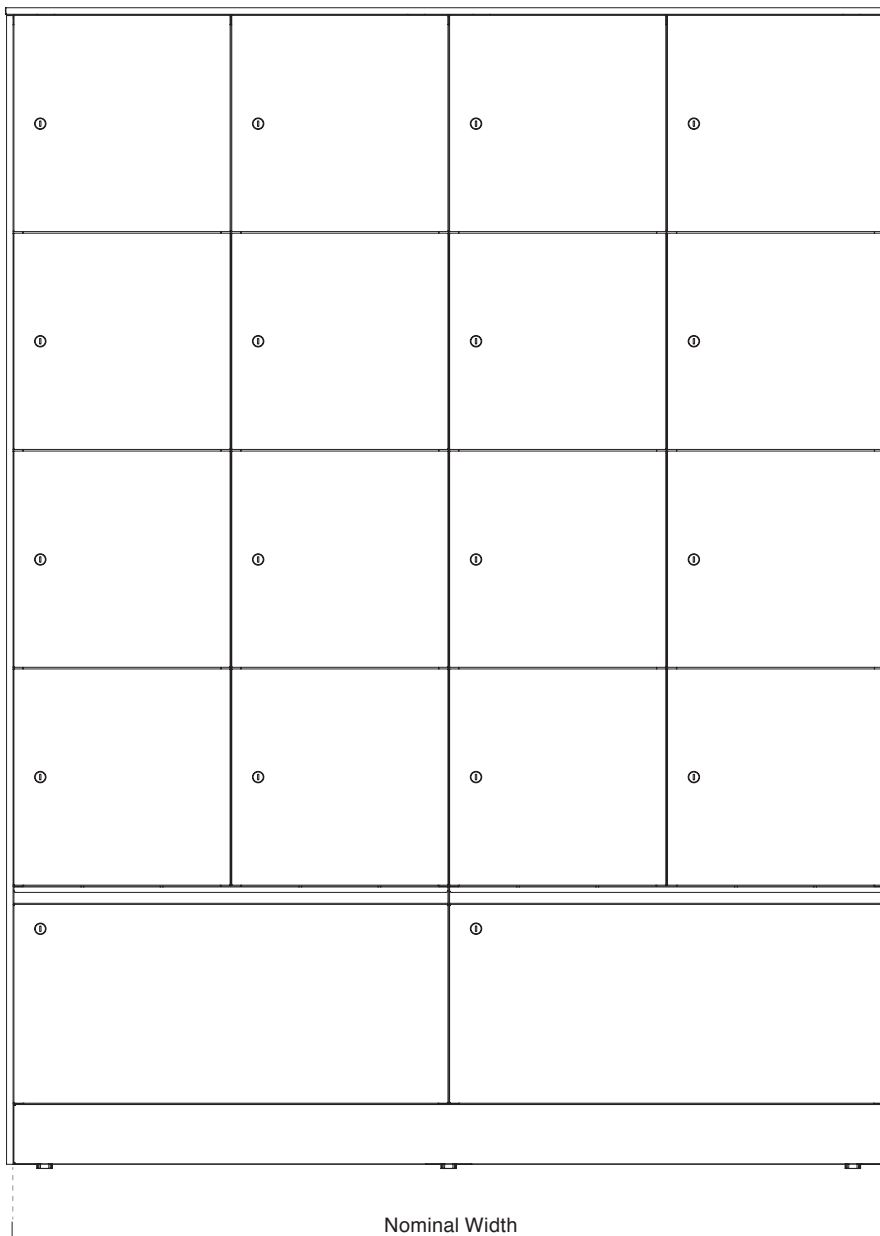
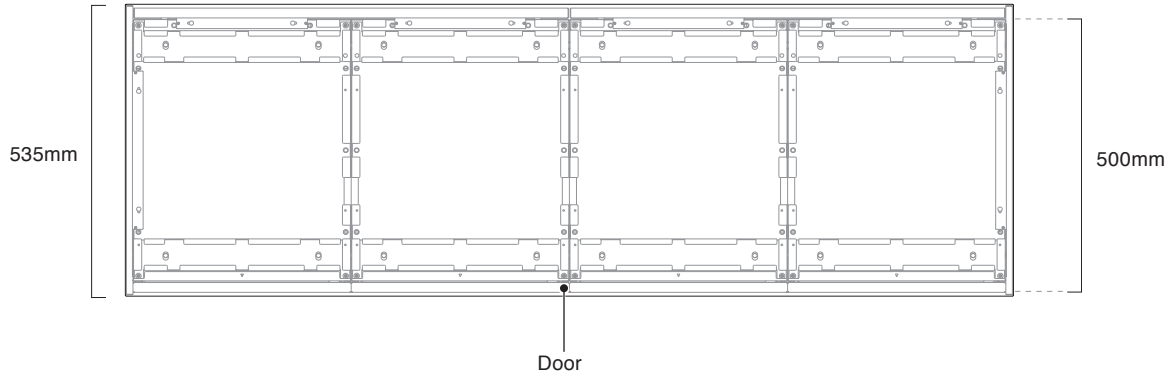
Note that the total height of the locker will depend on whether there is a drawer added to the bottom of carcass.

Choose the cladding height carefully considering whether the carcass comes with/without drawer.

**Base** is an individual style number and needed to be specified for each carcass. It comes with a base cover.

For Network locks – please choose the optional **plinth tray** inside the base for cables and technology to rest. Plinth tray will be accessible after removing the front base cover.

**WorkValet** overall dimension:





## Steps in configuring Lockers:

### 1. Choose Base

- Select the Base and Cable Tray option.

### 2. Choose Size

- Select With/ Without Drawer at the bottom.
- Select Locker Tiers in Carcass – Tier 2, 3, 4, 5.

### 3. Choose Locker Options

- Select type of Locker in Carcass – Default size, Half size, Wardrobe.
- Select Door options – Mail slot, name tag, materials.
- Choose Personalization options – Shelves, Organizer etc.

### 4. Choose Locks

- Select type of Locks – Key, Dial, Keypad, RFID, Network lock.

### 5. Choose Surface Options

- Select different materiality for Top, Back, and Side Surfaces and accessories.

## Carcass

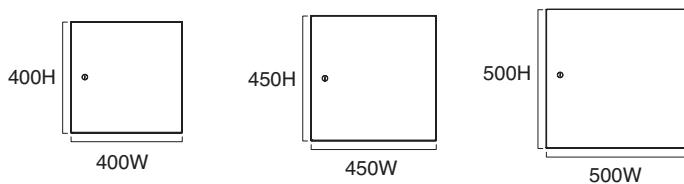
To start specifying, users need to determine the **basic cell size** of the carcass.

The 3 available **sizes** are:

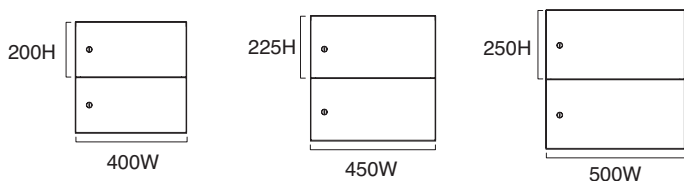
- 400W x 400H
- 450W x 450H
- 500W x 500H

Each **Tier** comes with options to specify sizes – **default, halves** and **double**.

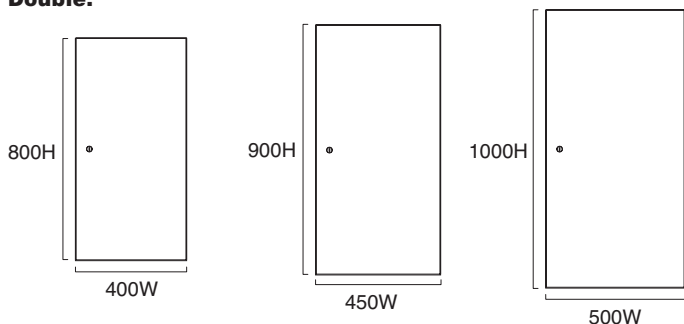
### Default:



### Halves:

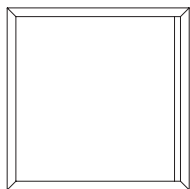


### Double:

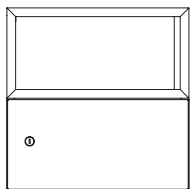


All Units come as **default with doors**, but can be specified as “**open**” when needed.

Open default:

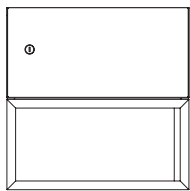


Top open:

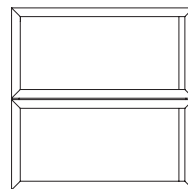
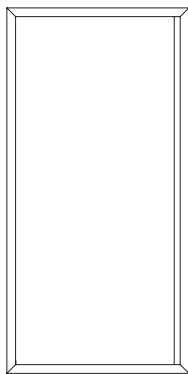


*or*

Bottom open:



Open double size:

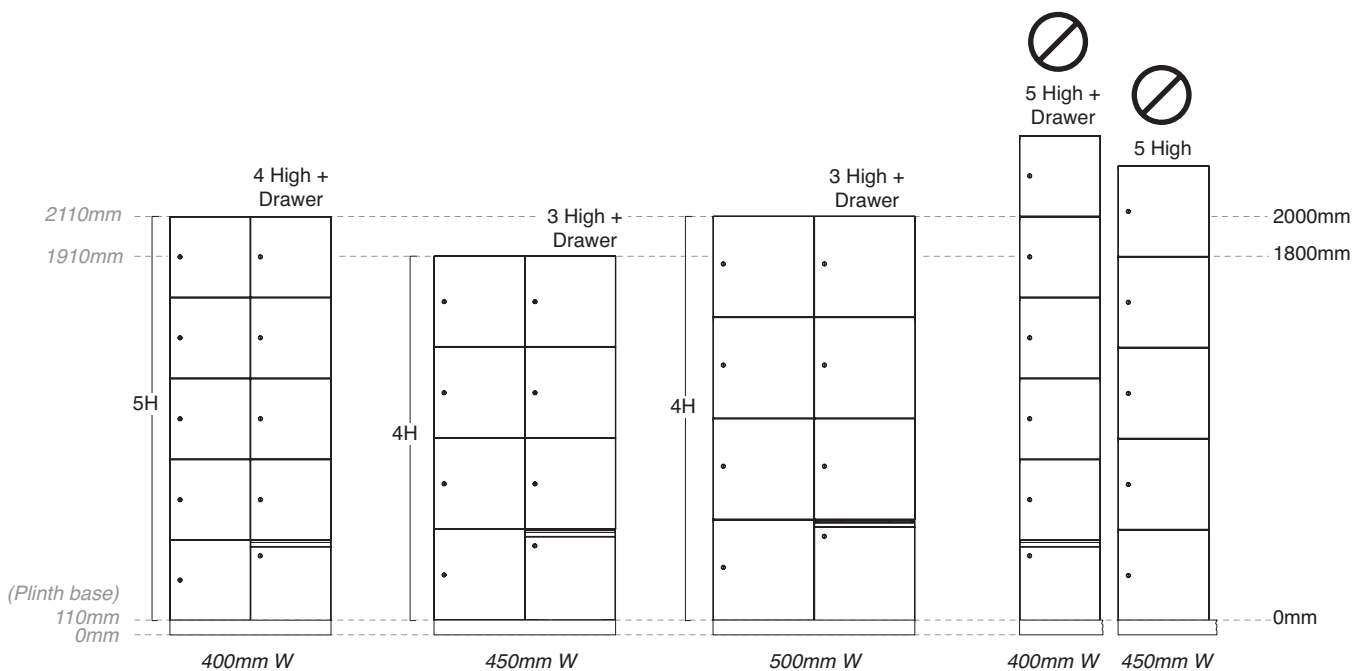


*Note: Not possible to open both half height lockers.*

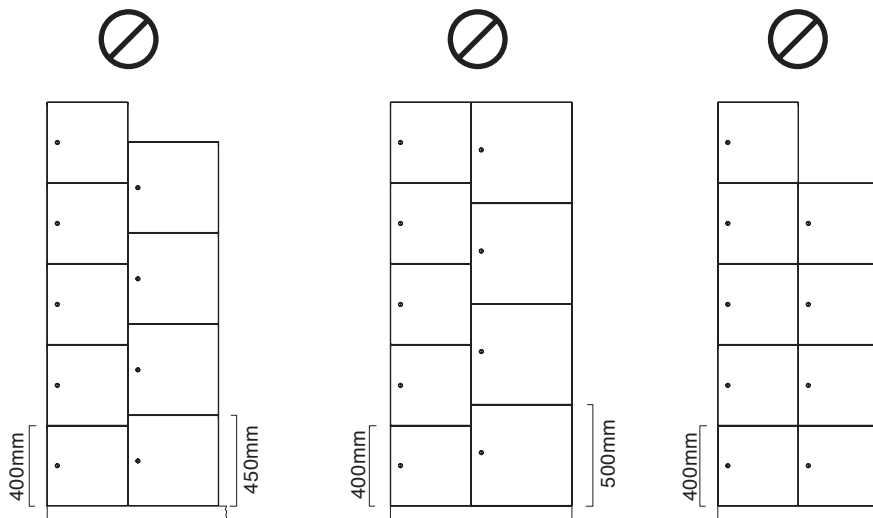
**Carcass**

**Height Logics and Limitation:**

- Total number of tiers** will depend on configuration:
  - With/ without drawer
  - Total height required for locker
- A **5 tier** locker is only available in W400 carcass **without drawer**.
- If there is a **drawer** at the bottom:
  - 400W lockers will have maximum 4 tiers
  - 450W and 500W lockers will have maximum 3 tiers.
- Total height of the combination should **not exceed 2000mm (excluding the claddings and base)**.



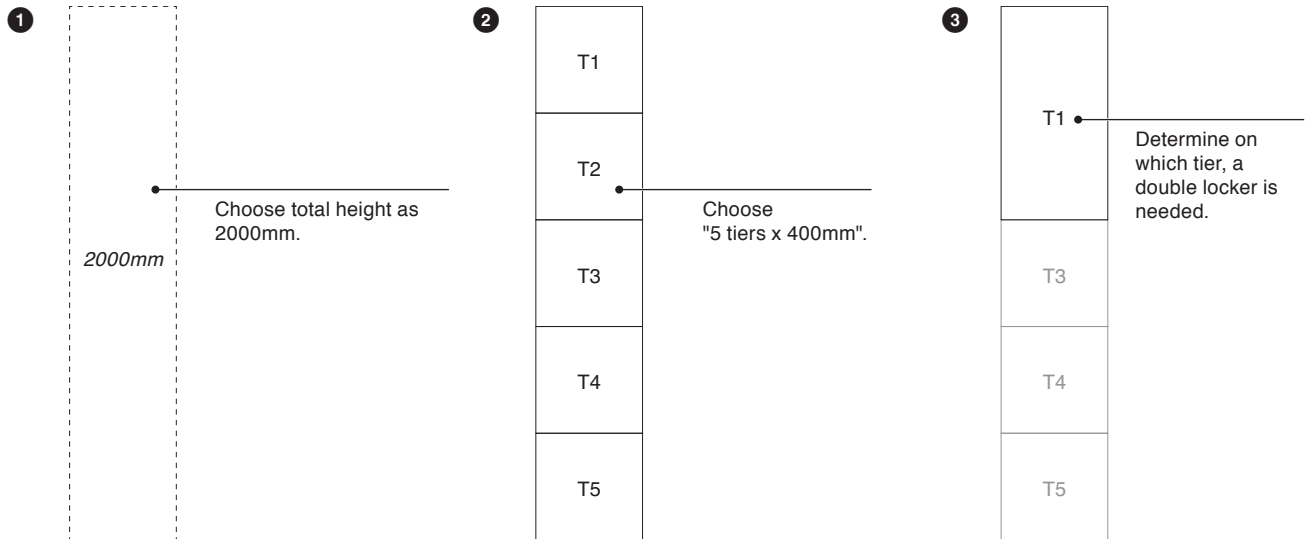
- Different column heights in the same locker set – **is not possible**.



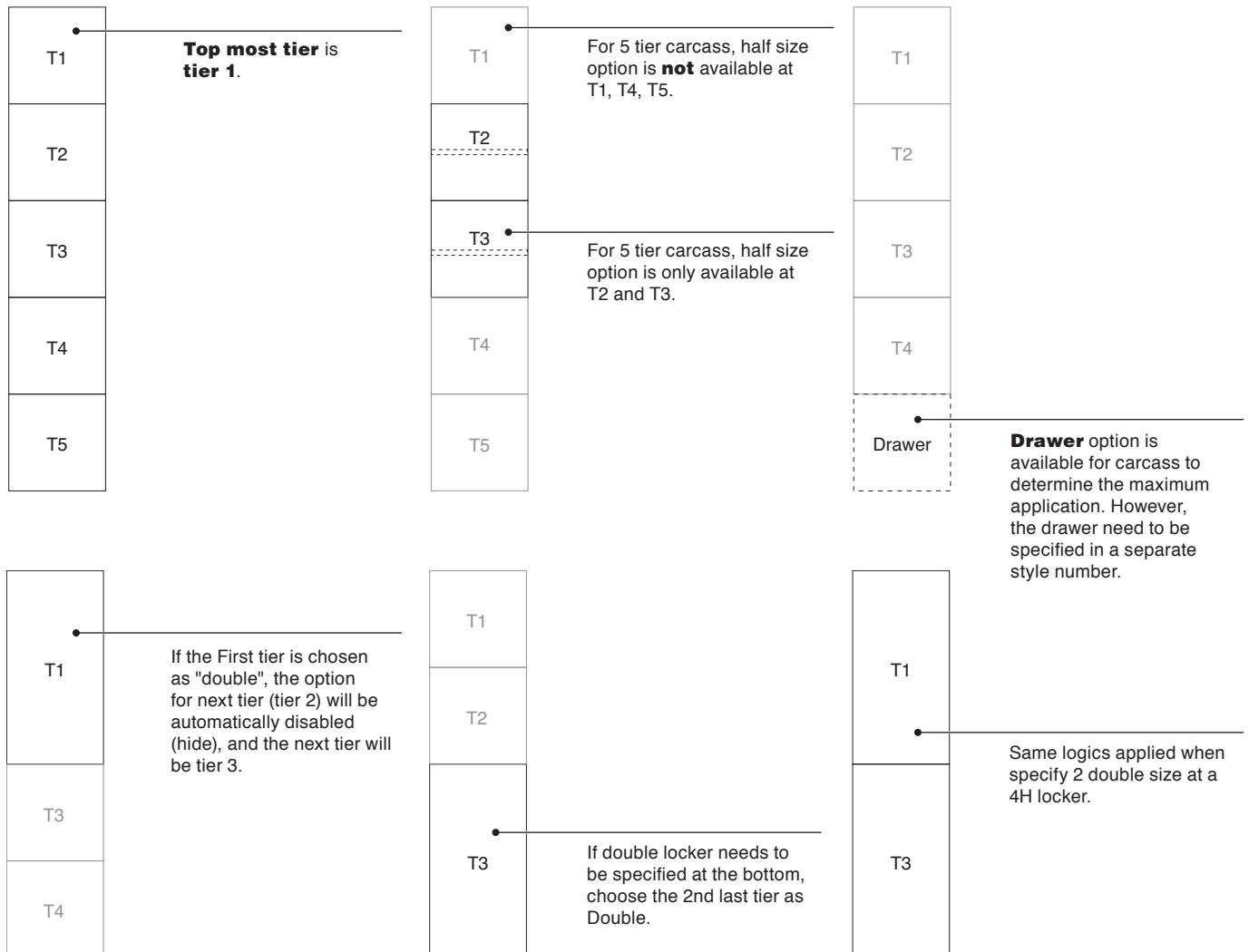
**Carcass**

**Configuration Logics:**

Users need to determine total height needed before specifying and choose the variations of the carcass sizes and tiers accordingly.  
 For Example – Choose total height as 2000mm, choose "5 tiers x 400mm" and then determine on which tier, a double locker is needed.



Other Rules and Limitations are as below:



## Drawer

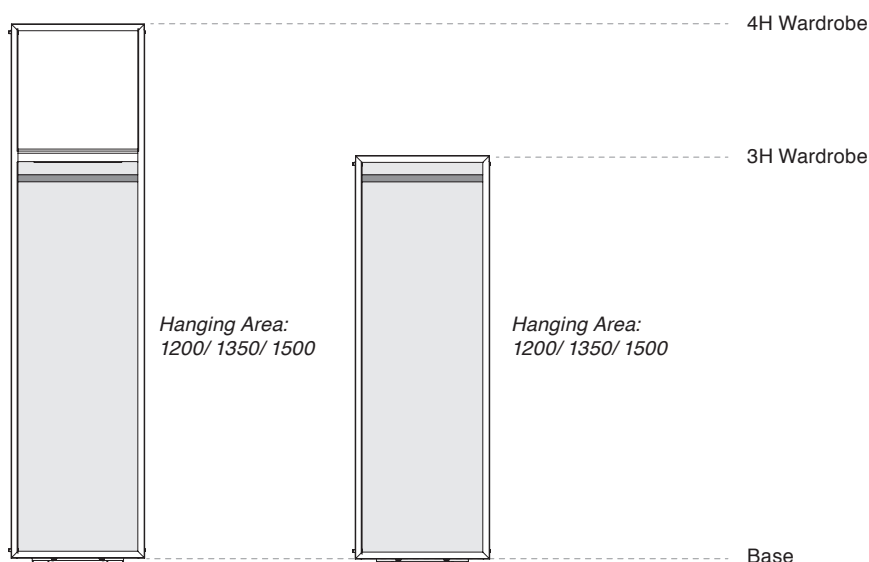
**Drawer** is an individual style number. It comes with a Drawer body and the drawer itself. Drawer is available in **single** width and **double** width options.

Default unit	Single Drawer	Double Drawer
400W x 400H	400W x 400H	800W x 400H
450W x 450H	450W x 450H	900W x 450H
500W x 500H	500W x 500H	N/A

**Please remember to specify with and without drawer option for all carcasses.**

## Wardrobe

**Wardrobe** is only offered in 3 tier and 4 tier heights.



Total height of the combination should **not exceed 2000mm (excluding the claddings)**.

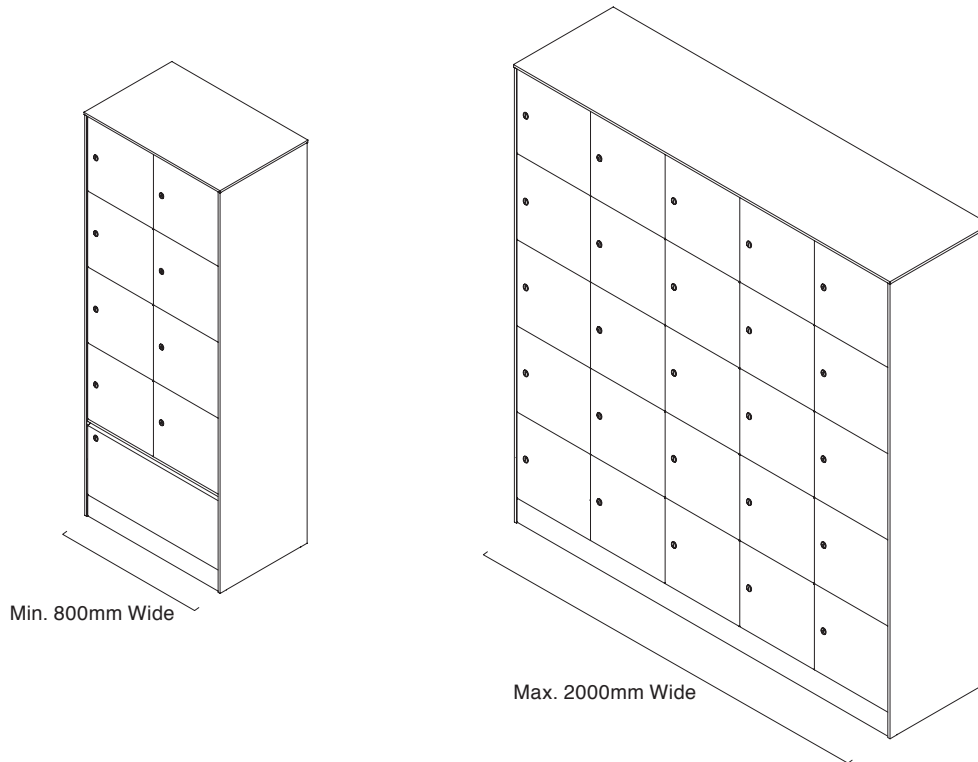
If wardrobe is specified with **drawer**, only 400W will have the maximum 4H. While other sizes are only available in 3H.

The **4H** wardrobe always **comes with an open unit at the top**.

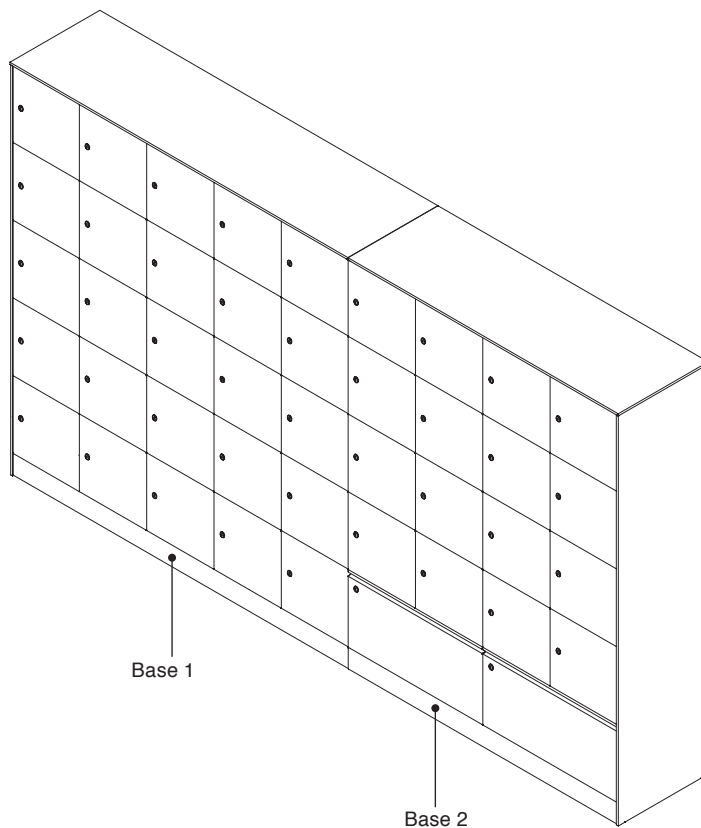
Please note that the **hanger area** will always be in 3H.

## Base

The base is **minimum** 800mm Wide and **maximum** 2000mm wide.

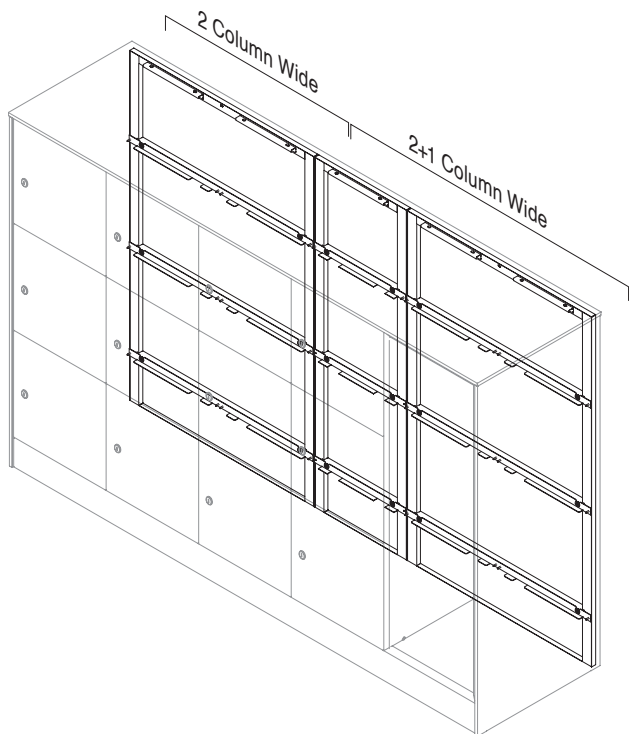


In case of continuous columns of lockers, After 2000mm users need to order a separate base to continue building a configuration. For 450 x 450 unit, maximum width is 1800mm.

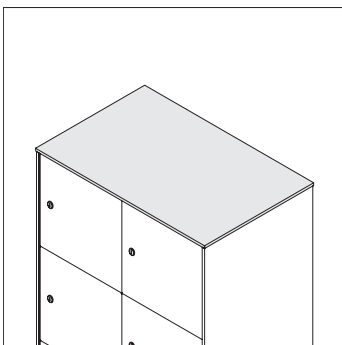


### Cladding

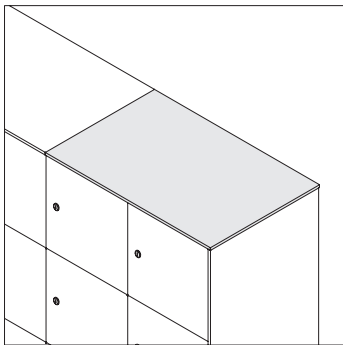
**Back cladding** only applies to 2 column width.



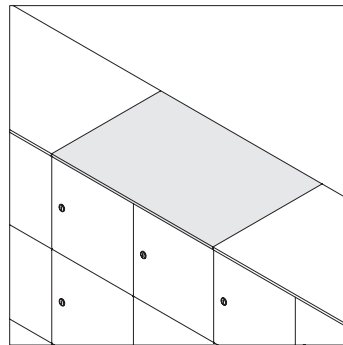
**Top cladding** comes in 3 application options.



End-to-end



End-to-intermediate



Intermediate-to-Intermediate

# Carcass

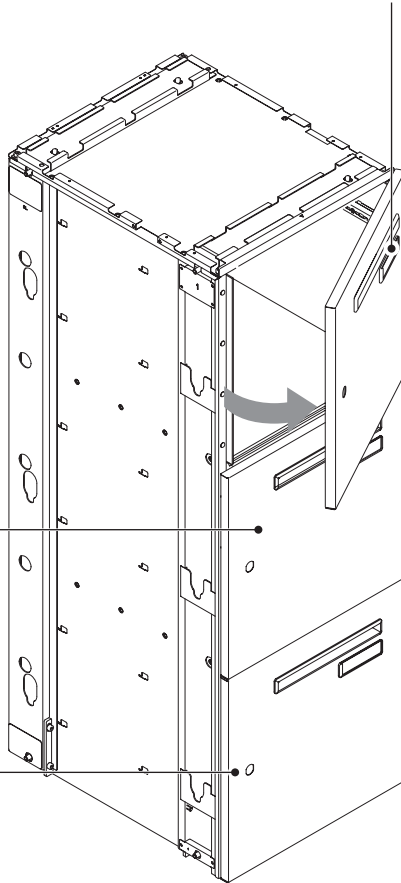
A **carcass** typically consists of multiple tiers in a vertical structure. Tiers range from min 2H to max of 4H/5H.

**Name Tag** and **mail slot** are available as options for default size and double size unit.

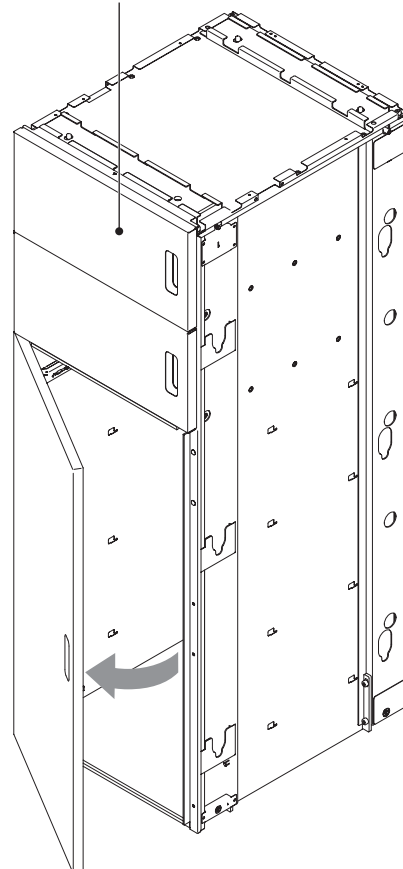
Users must know the side to which the **door opens** (Lock at Left side or Lock at Right side) when specifying the carcass.

**Door finishes** come as default in metal, however, can be changed to LPL or specified in different colors at door level.

Users must also know the **type of lock** when specifying the carcass.



**Left opening**



**Right opening**

## Actual Dimensions

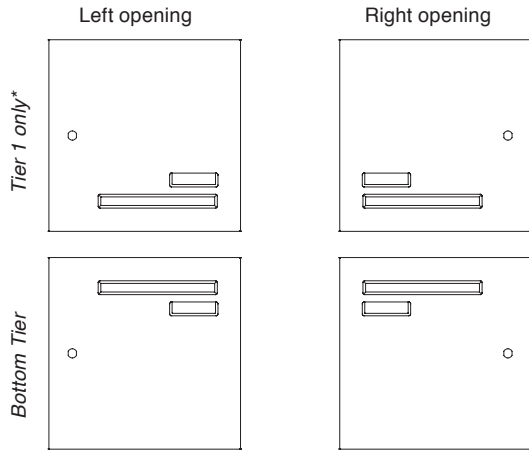
	2H	3H	4H	5H
Overall Height	800mm, 900mm, 1000mm	1200mm, 1350mm, 1500mm	1600mm, 1800mm, 2000mm	2000mm
Overall Width	400mm, 450mm, 500mm	400mm, 450mm, 500mm	400mm, 450mm, 500mm	400mm
Depth	500mm	500mm	500mm	500mm



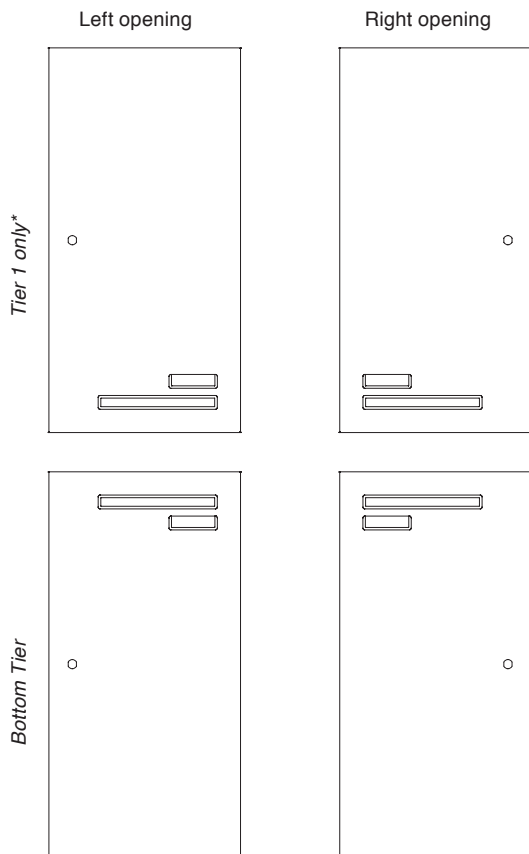
**Product Details**

Name Tag and Mail Slot Position:

Default size:



Double size:

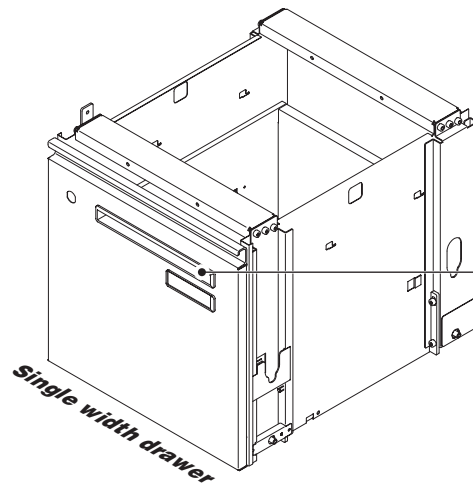


\*For 2H/3H locker without drawer and 2H locker with drawer, the name tag and mail slot position at Tier 1 are same as Bottom Tier.

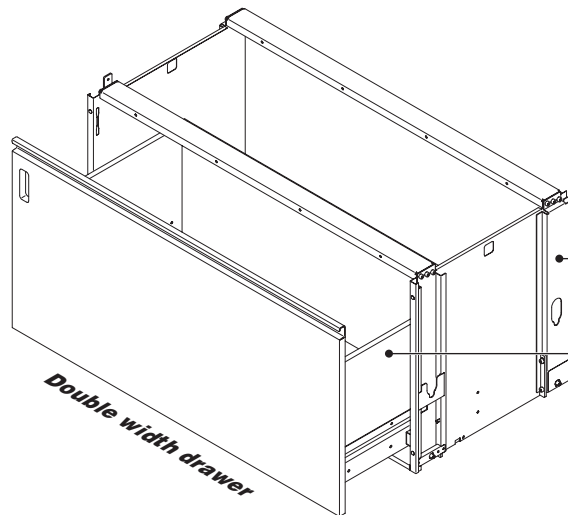
# Drawer

**Drawer** is an individual style number. It comes with a Drawer body and the drawer itself. Drawer is available in single width and double width options.

Please remember to specify with and without drawer option for all carcasses.



**Name Tag and mail slot** are available as options for default size drawer.



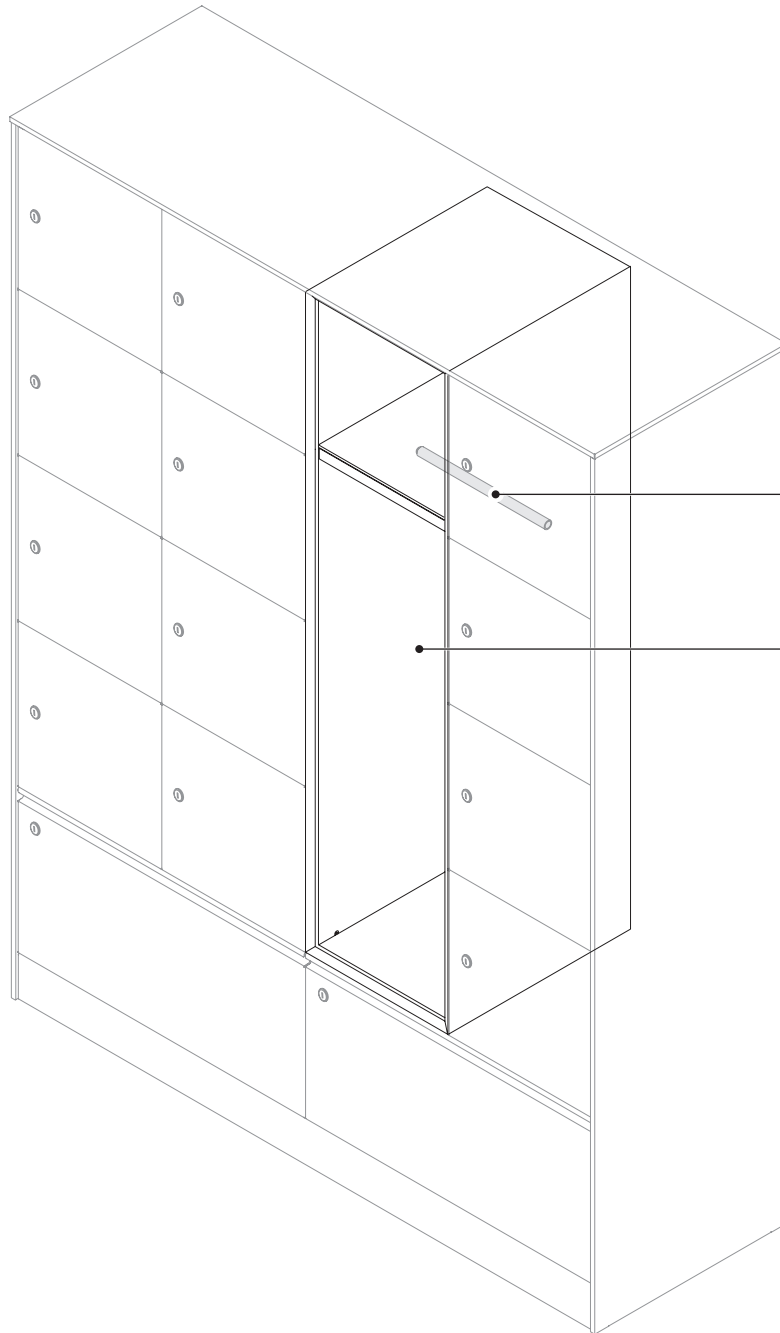
**Drawer body.**

**Drawer.**

## Actual Dimensions

	Single Width	Double Width
Overall Height	400mm, 450mm, 500mm	400mm, 450mm
Overall Width	400mm, 450mm, 500mm	800mm, 900mm
Depth	500mm	500mm

Wardrobe is only offered in 3 tier and 4 tier heights.



By default, wardrobe comes with a **coat rod**.

As wardrobe is a separate style number than the carcass, it is recommended to be sure to match it with the height of other carcass in the complete configuration.

## Actual Dimensions

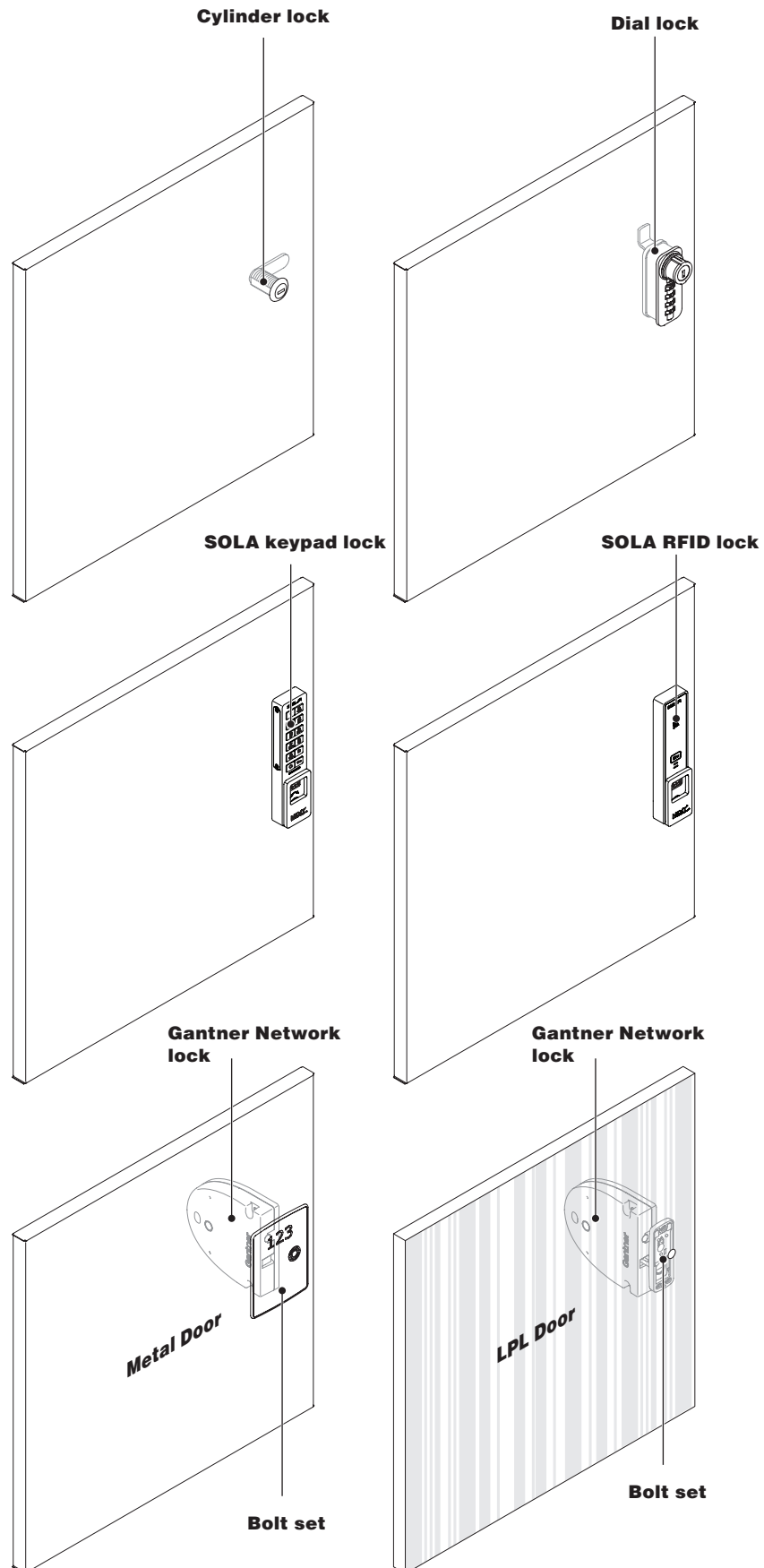
Overall Height	1200mm, 1350mm, 1500mm, 1600mm, 1800mm, 2000mm
Overall Width	400mm, 450mm, 500mm
Depth	500mm

# Locks

WorkValet comes with **4 types of different locks**. Each lock needs to be specified through its own style number.

WorkValet is also built to be compatible with **Network locks**. The gantner network locks need to be ordered separately and directly through the vendor.

However when specifying carcass, make sure to enter the "Lock type" in the options for door cutout to match with the type of lock you specify.



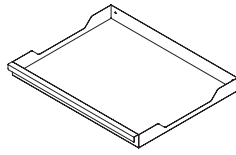
WorkValet is a lock agnostic product, compatible with different lock types ranging from key, dial, combination, RFID and network locks.

Please see the below table for the complete kit for each lock type. Please remember to buy the complete set for each lock.

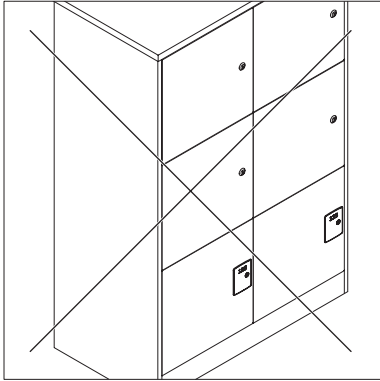
<b>Lock Supplier</b>	<b>Lock Options</b>	<b>Complete kit of each Lock type</b>	<b>Style Number</b>
Cyberlock	Key Lock	Lock Cylinder: 1pc Key: 2pcs	<b>SNGLOCKKY</b>
Lehmann	Dial Lock	Dial Lock: 1pc	<b>SNGLOCKDL</b>
		Emergency Key: 1pc – 3pcs (depends on the number of customer administrators needed)	<b>SNGLOCKDLEK</b>
Digilock	SOLA Keypad Lock	SOLA Keypad Lock	<b>SNGLOCKKP</b>
		Programming Key or Programing Key Replacement	<b>SNGSOLAKEYPK or SNGSOLAKEYPKR</b>
		Manager Key	<b>SNGSOLAKEYMK</b>
		User Label	<b>SNGSOLARFIDUL</b>
Digilock	SOLA RFID Lock	SOLA RFID Lock	<b>SNGLOCKDG</b>
		Programming Key or Programing Key Replacement	<b>SNGSOLAKEYPK or SNGSOLAKEYPKR</b>
		Manager key	<b>SNGSOLAKEYMK</b>
		User Label	<b>SNGSOLARFIDUL</b>
		RFID User Card	<b>SNGSOLARFIDUC</b>
		RFID User Sticker	<b>SNGSOLARFIDUS</b>

**Application Topics**

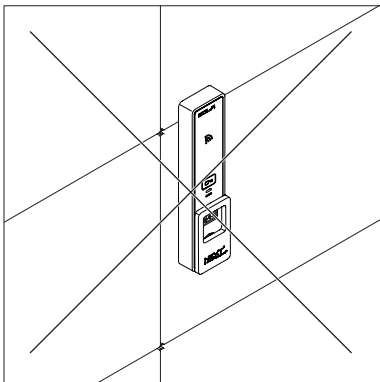
**Please note: If there's a mismatch in the carcass "lock type" option and in the lock type users specify separately, the locks will not fit and the order will have to be re-placed.**



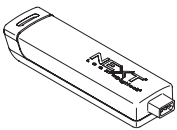
When choosing Network lock option, please remember to choose the **Optional cable tray** that sits in the base for Power and routing needs.



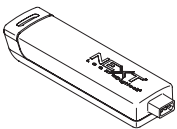
Different lock type in the same column – **not** possible.



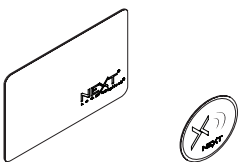
Digilock SOLA – Keypad/RFID lock **does not** apply to half height lockers. Hence any column with half height lockers cannot have Digilock application.



**Manager key**



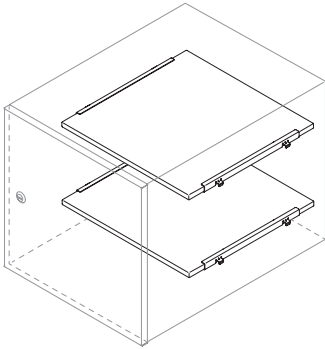
**Programming key**



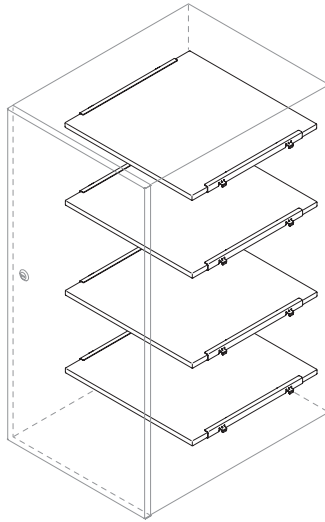
**RFID credential**

## Application Topics

### Shelf position



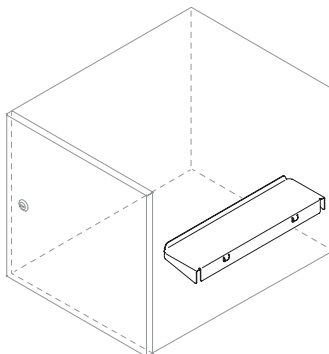
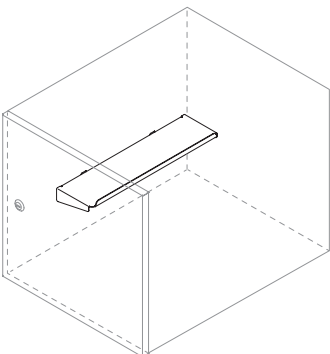
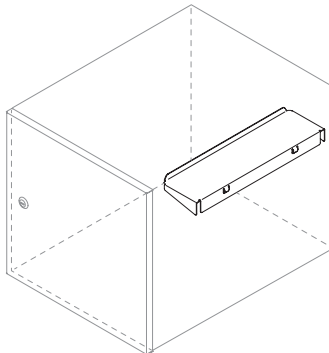
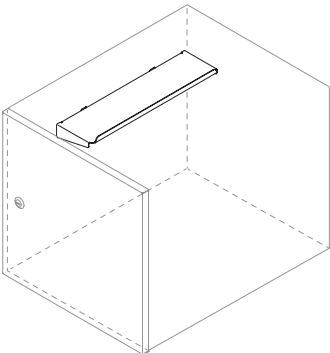
Default size locker can accommodate up to 2 shelves.



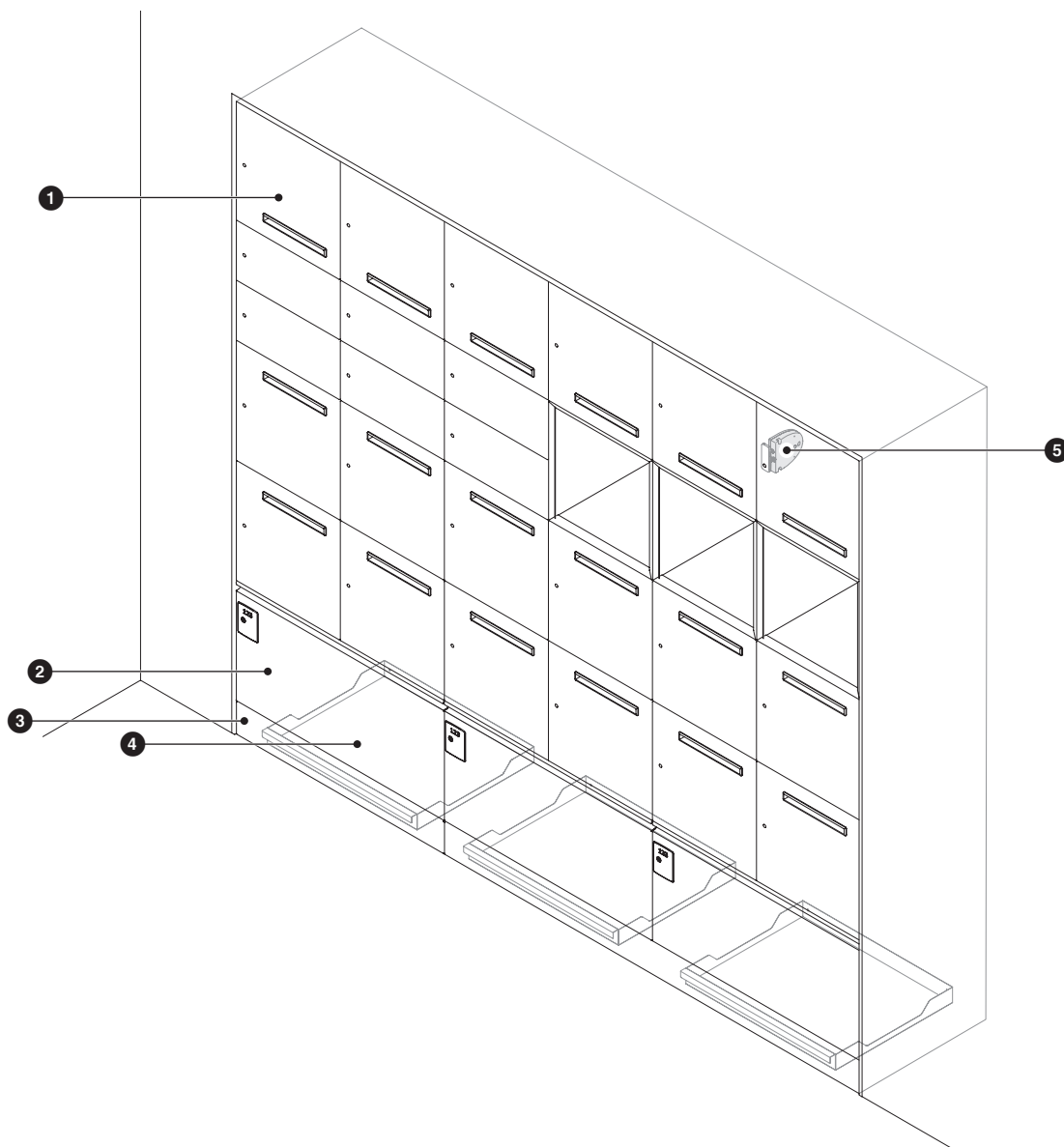
Double size locker can accommodate up to 4 shelves.

### Organizer position

Organizer can be placed inside the locker for additional storage.



# Thought Starters



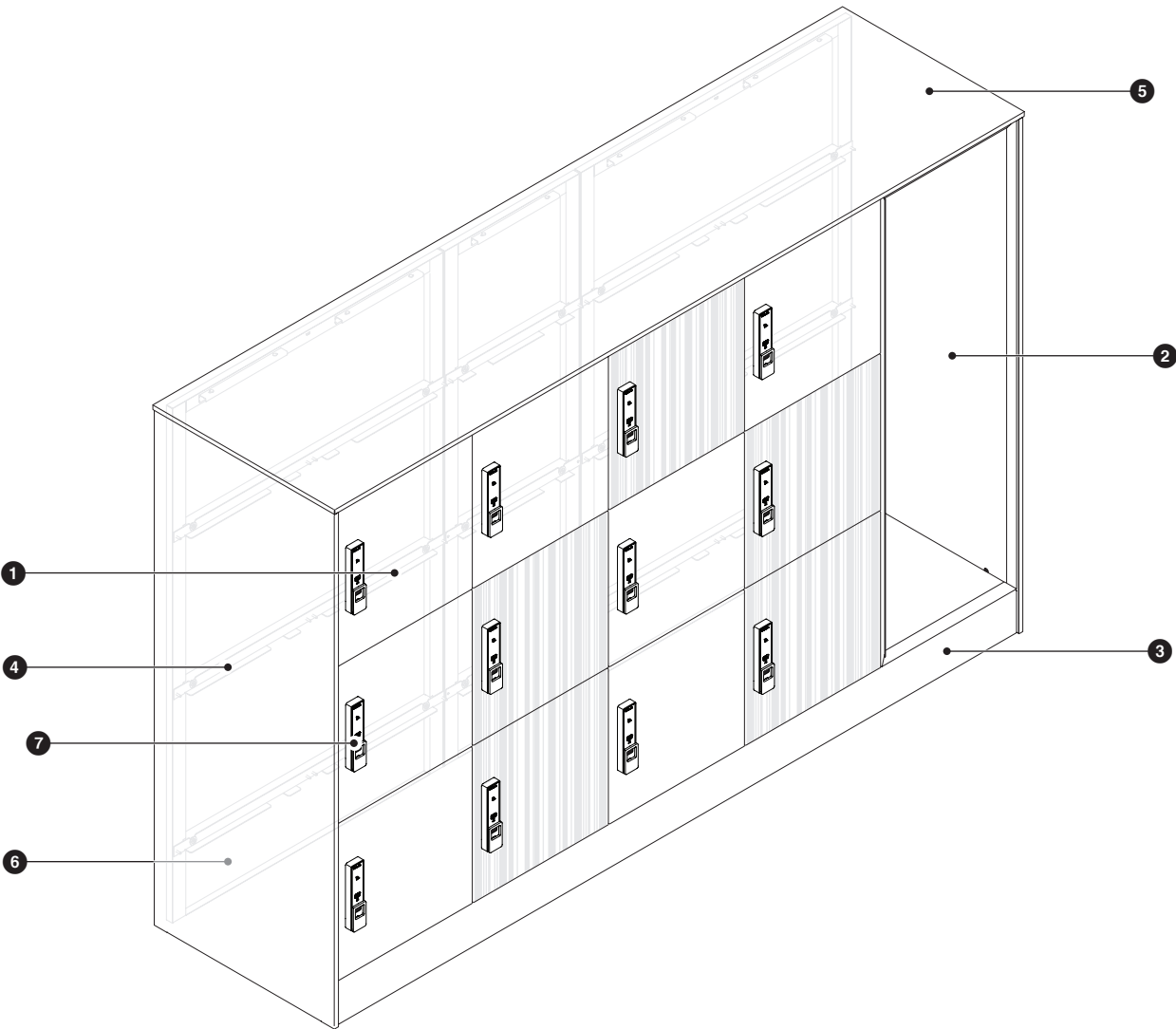
## Thought Starter 1 – Locker Bay

### Recommended Components

	Quantity	Style Number	Description	Options
1	6	<b>SNGCAR400L</b>	400W Carcass, Left Opening	4H, With Drawer, With Mail Slot, With Network Lock Cutout, T1: Default, With LPL Door, T2: Half; Both Closed, With LPL Door, T3: Default, With LPL Door, T4: Default, With LPL Door x 3  4H, With Drawer, With Mail Slot, With Network Lock Cutout, T1: Default, With LPL Door, T2: Default, Without Door, T3: Default, With LPL Door, T4: Default, With LPL Door x 3
2	3	<b>SNGDRAWERR</b>	Drawer Unit	Double Width, 800W, Lock at Left Side, With Network Lock Cutout
3	2	<b>SNGBASEPL</b>	Plinth Base	800W x 1 1600W x 1
4	3	<b>SNGPLNTHTRAY</b>	Plinth Tray	800W
5	27	-	Gantner Network Lock*	Without USB

\*Please refer sales support for estimation.



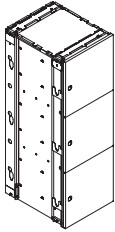


**Thought Starter 2**

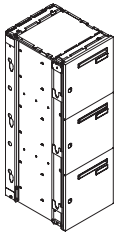
Recommended Components

	Quantity	Style Number	Description	Options
1	4	<b>SNGCAR400L</b>	400W Carcass, Left Opening	3H, Without Drawer, With RFID Lock Cutout, T1: Default, With Metal Door, T2: Default, With Metal Door, T3: Default, With Metal Door x 1  3H, Without Drawer, With RFID Lock Cutout, T1: Default, With Metal Door, T2: Default, With LPL Door, T3: Default, With LPL Door x 2  3H, Without Drawer, With RFID Lock Cutout, T1: Default, With LPL Door, T2: Default, With Metal Door, T3: Default, With Metal Door x 1
2	1	<b>SNGWARDROBE</b>	Wardrobe	400W, 1200H
3	1	<b>SNGBASEPL</b>	Plinth Base	2000W
4	2	<b>SNGCLADDINGS</b>	Side Cladding	1200H
5	1	<b>SNGCLADDINGT</b>	Top Cladding	2000W, End-to-End
6	2	<b>SNGCLADDINGB</b>	Back Cladding	2 Column Wide, 800W  2+1 Column Wide, 1200W
7	12	<b>SNGLOCKDG</b>	RFID Digital Lock	

## Carcass



Without name tag and mail slot



With name tag and mail slot

Tip: For 5 tiers carcass, there is NO half size option for tier 1, 4, or 5.

Tip: Numpad and RFID lock is not applicable for half size door.

Tip: User must specify must be same lock type for all door in the carcass.

Tip: Filler frame is default if open shelf is specified.

### Standard Includes

- Carcass: paint price group 1
- Mail slot: without
- Name tag: without
- Key lock cutout

### Options

<b>Drawer</b>	With drawer	No cost
	Without drawer	No cost
<b>Carcass Finish</b>	Paint Price Group 1	No cost
	Paint Price Group 2	+\$30
	Paint Price Group 3	+\$80
<b>Unit Height (each tier)</b>	Default	No cost
	Half	+\$150
	Double	-\$100
<b>Door (each tier)</b>	With door	See below
	Without door	-\$100
<b>Half Unit Door (each tier)</b>	Top closed	No cost
	Bottom closed	No cost
	Both closed	No cost
<b>Door Option (each door)</b>	Default	See below
	Half	See below
	Double	See below
<b>Lock Cutout (each door)</b>	Key lock	No cost
	Dial lock	No cost
	Numpad lock	No cost
	RFID lock	No cost
	Network lock	No cost
<b>Door Type (each door)</b>	Metal	See below
	LPL	+\$20
<b>Door Finish Paint Group</b>	Paint Price Group 1	No cost
	Paint Price Group 2	+\$8
	Paint Price Group 3	+\$15
<b>Inner PET finish</b>	PET Price Group 1	No cost
<b>Filler Frame Finish Paint Group</b>	Paint Price Group 1	No cost
	Paint Price Group 2	+\$30
	Paint Price Group 3	+\$60
<b>Accessories</b>	None	No cost
	Name Tag	No cost
	Mail Slot	No cost
	Name Tag and Mail Slot	No cost

► **Product Information continued on next page**

► Product Information continued from previous page

**Specification Information**

Style Number	Base Price Tiers					Door option (each)		
	1H	2H	3H	4H	5H	Default Size	Half Size	Double Size

**Door opening at Left side**

**400 x 400**

<b>SNGCAR400L</b>	\$206	\$416	\$623	\$831	N.A.	+\$39	+\$19	+\$77
-------------------	-------	-------	-------	-------	------	-------	-------	-------

**400 x 400, 5 tier, without drawer**

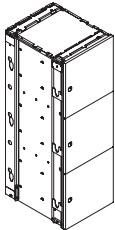
<b>SNGCAR4005TL</b>	\$206	N.A.	N.A.	N.A.	\$1,039	+\$39	+\$19	+\$77
---------------------	-------	------	------	------	---------	-------	-------	-------

**450 x 450**

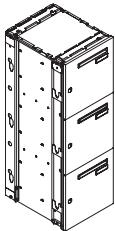
<b>SNGCAR450L</b>	\$233	\$466	\$699	\$932	N.A.	+\$44	+\$22	+\$87
-------------------	-------	-------	-------	-------	------	-------	-------	-------

**500 x 500**

<b>SNGCAR500L</b>	\$260	\$519	\$779	\$1,039	N.A.	+\$48	+\$24	+\$97
-------------------	-------	-------	-------	---------	------	-------	-------	-------



Without name tag and mail slot



With name tag and mail slot

**Door opening at Right side**

**400 x 400**

<b>SNGCAR400R</b>	\$206	\$416	\$623	\$831	N.A.	+\$39	+\$19	+\$77
-------------------	-------	-------	-------	-------	------	-------	-------	-------

**400 x 400, 5 tier, without drawer**

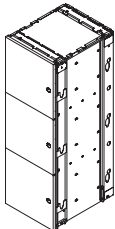
<b>SNGCAR4005TR</b>	\$206	N.A.	N.A.	N.A.	\$1,039	+\$39	+\$19	+\$77
---------------------	-------	------	------	------	---------	-------	-------	-------

**450 x 450**

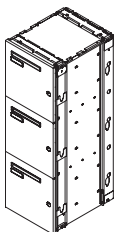
<b>SNGCAR450R</b>	\$233	\$466	\$699	\$932	N.A.	+\$44	+\$22	+\$87
-------------------	-------	-------	-------	-------	------	-------	-------	-------

**500 x 500**

<b>SNGCAR500R</b>	\$260	\$519	\$779	\$1,039	N.A.	+\$48	+\$24	+\$97
-------------------	-------	-------	-------	---------	------	-------	-------	-------

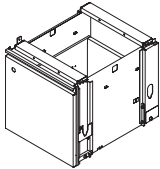


Without name tag and mail slot

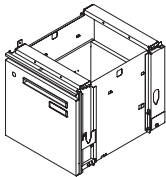


With name tag and mail slot

## Drawer



Without name tag and mail slot



With name tag and mail slot

### Standard Includes

- Drawer body: paint price group 1
- Drawer door: metal with paint price group 1
- Handle: paint price group 1
- Key lock cutout

### Options

<b>Width</b>	Single	See below
	Double	See below
<b>Lock Type Cutout</b>	Key lock	No cost
	Dial lock	No cost
	Numpad lock	No cost
	RFID lock	No cost
	Network lock	No cost
<b>Drawer Body Finish</b>	Paint Price Group 1	No cost
	Paint Price Group 2	+\$15
	Paint Price Group 3	+\$20
<b>Door Finish</b>	Paint	See below
	LPL	+\$20
<b>Door Finish Paint Group</b>	Paint Price Group 1	No cost
	Paint Price Group 2	+\$30
	Paint Price Group 3	+\$80
<b>Handle Finish</b>	Paint Price Group 1	No cost
	Paint Price Group 2	+\$10
	Paint Price Group 3	+\$15
<b>Accessories</b> (Single Width only)	None	No cost
	Name Tag	No cost
	Mail Slot	No cost
	Name Tag and Mail Slot	No cost

► **Product Information continued on next page**

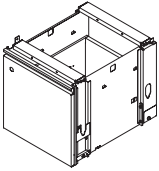
► **Product Information continued from previous page**

**Specification Information**

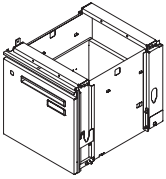
<b>Style Number</b>	<b>Dimension W</b>	<b>Base Price</b>
---------------------	--------------------	-------------------

**Lock at Left Side**

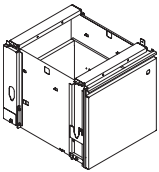
<b>SNGDRAWERL</b>	Single width	400	\$294
	Single width	450	\$331
	Single width	500	\$367
	Double width	800	\$588
	Double width	900	\$661



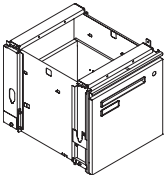
*Without name tag and mail slot*



*With name tag and mail slot*



*Without name tag and mail slot*



*With name tag and mail slot*

**Lock at Right Side**

<b>SNGDRAWERR</b>	Single width	400	\$294
	Single width	450	\$331
	Single width	500	\$367
	Double width	800	\$588
	Double width	900	\$661

## Wardrobe Unit



3H



4H

### Standard Includes

- Carcass: paint group 1
- Filler frame: paint group 1
- Coat rod

### Options

<b>Drawer</b>	With drawer	No cost
	Without drawer	No cost
<b>Carcass Finish</b>	Paint Price Group 1	No cost
	Paint Price Group 2	+\$40
	Paint Price Group 3	+\$100
<b>Filler Frame Finish</b>	Paint Price Group 1	No cost
	Paint Price Group 2	No cost
	Paint Price Group 3	No cost

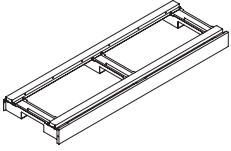
### Specification Information

Style Number	Dimension H	Base Price		
		400W	450W	500W

### Wardrobe Unit

Style Number	Dimension H	400W	450W	500W
<b>SNGWARDROBE</b>	3 High	\$626	\$705	\$783
	4 High	\$1,088	\$1,224	\$1,360

## Base



### Standard Includes

- Cover: paint price group 1
- Leveling glides
- Base: merle

### Options

Base Finish		
	Paint Price Group 1	No cost
	Paint Price Group 2	+\$8
	Paint Price Group 3	+\$15

### Specification Information

Style Number	Dimension W	Base Price
--------------	-------------	------------

#### Plinth Base

<b>SNGBASEPL</b>	800	\$144
	900	\$162
	1000	\$182
	1200	\$215
	1350	\$242
	1500	\$272
	1600	\$286
	1800	\$321
	2000	\$362

## Side Cladding



### Standard Includes

- Cladding: paint price group 1

### Options

<b>Cladding Finish</b>	Painted metal LPL	No cost +\$30
<b>Cladding Finish Paint Group</b>	Paint Price Group 1 Paint Price Group 2 Paint Price Group 3	No cost +\$15 +\$40

### Specification Information

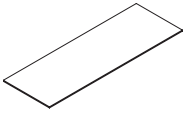
Style Number	Dimension H	Base Price		
		400W	450W	500W

### Side Cladding

Style Number	Dimension H	400W	450W	500W
<b>SNGLCLADDINGS</b>	2 High	\$132	\$149	\$166
	3 High	\$186	\$210	\$233
	4 High	\$225	\$254	\$282
	5 High	\$284	N.A.	N.A.



## Top Cladding



### Standard Includes

- Cladding: paint price group 1

### Options

<b>Cladding Type</b>	End to end	No cost
	End to intermediate	No cost
	Intermediate to intermediate	No cost
<b>Cladding Finish</b>	Painted metal	No cost
	LPL	+\$30
<b>Cladding Finish Paint Group</b>	Paint Price Group 1	No cost
	Paint Price Group 2	+\$15
	Paint Price Group 3	+\$40

### Specification Information

Style Number	Dimension W	Base Price
--------------	-------------	------------

#### Top Cladding

<b>SNGCLADDINGT</b>	800	\$76
	900	\$85
	1000	\$96
	1200	\$113
	1350	\$128
	1500	\$143
	1600	\$151
	1800	\$170
	2000	\$191

## Back Cladding



### Standard Includes

- Cladding: paint price group 1

### Options

<b>Width</b>	2 Column Wide 2+1 Column Wide	See below See below
<b>Cladding Finish</b>	Painted metal LPL PET	No cost -\$80 No cost
<b>Cladding Finish Paint Group</b>	Paint Price Group 1 Paint Price Group 2 Paint Price Group 3	No cost +\$15 +\$40

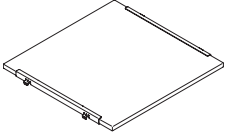
### Specification Information

Style Number	Dimension H	Base Price					
		2 Column Wide		1000W	2+1 Column Wide		
		800W	900W			1200W	1350W

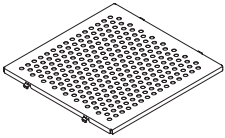
### Back Cladding

Style Number	Dimension H	800W	900W	1000W	1200W	1350W	1500W
<b>SNGCLADDINGB</b>	2 High	\$175	\$197	\$219	\$262	\$295	\$328
	3 High	\$262	\$295	\$328	\$393	\$443	\$492
	4 High	\$350	\$393	\$437	\$525	\$590	\$656
	5 High	\$437	N.A.	N.A.	\$656	N.A.	N.A.

## Shelf



LPL



Metal

### Standard Includes

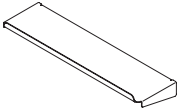
#### Options

<b>Body Finish</b>	Painted metal LPL	See below See below
<b>Body Finish Paint Group</b>	Paint Price Group 1 Paint Price Group 2 Paint Price Group 3	No cost +\$15 +\$20
<b>Bracket Finish</b> (LPL only)	Paint Price Group 1 Paint Price Group 2 Paint Price Group 3	No cost No cost No cost

#### Specification Information

Style Number	Material	Base Price		
		400W	450W	500W
<b>Shelf</b>				
<b>SNGSHELF</b>	Metal	\$47	\$59	\$74
	LPL	\$37	\$49	\$64

## Organizer



### Standard Includes

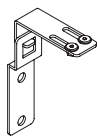
#### Options

<b>Paint Finish</b>	Paint Price Group 1 Paint Price Group 2 Paint Price Group 3	No cost +\$15 +\$20
---------------------	---	---------------------------

#### Specification Information

Style Number	Base Price
<b>Organizer</b>	
<b>SNGORGANIZER</b>	\$47

## Wall Mount Bracket For Carcass



### Standard Includes

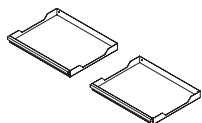
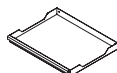
### Specification Information

Style Number	Base Price
--------------	------------

### Wall Mount Bracket For Carcass

**SNGWALLBRACKET** \$47

## Plinth Tray



### Standard Includes

- Single plinth tray for 800W to 1000W
- 2 plinth trays for 1200W to 2000W

### Options

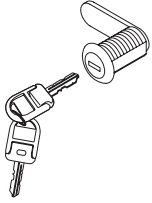
### Specification Information

Style Number	Dimension W	Base Price
--------------	-------------	------------

### Plinth Tray

<b>SNGPLNTHTRAY</b>	800	\$47
	900	\$71
	1000	\$106
	1200	\$71
	1350	\$106
	1500	\$159
	1600	\$106
	1800	\$159
	2000	\$238

## Key Lock



### Standard Includes

- Cyberlock key lock
- A pair of flip keys

### Options

<b>Direction</b>	Left hand	No cost
	Right hand	No cost

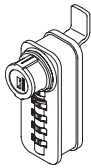
### Specification Information

Style Number	Base Price
--------------	------------

### Key Lock

<b>SNGLOCKKY</b>	\$23
------------------	------

## Dial Lock



### Standard Includes

- Leymann dial lock

### Options

<b>Lock Code Type</b>	Type 58 (Free code)	No cost
	Type 59 (Fixed code)	No cost
<b>Direction</b>	Vertical Handle Top	No cost
<b>Body Finish Paint</b>	Black	No cost
	Merle	No cost
	White	No cost

### Specification Information

Style Number	Base Price
--------------	------------

### Dial Lock

<b>SNGLOCKDL</b>	\$82
------------------	------

## Emergency Key for Dial Lock



### Standard Includes

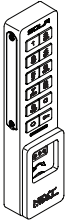
### Specification Information

Style Number	Base Price
--------------	------------

### Emergency Key for Dial Lock

<b>SNGLOCKDLEK</b>	\$63
--------------------	------

## Keypad Lock



### Standard Includes

- Digilock Sola keypad

### Options

<b>Unlock Position</b>	90 : 09 Left hand	No cost
	90 : 03 Right hand	No cost
<b>Functionality</b>	Assigned	No cost
	Shared	No cost
<b>Body Finish Paint</b>	Black	No cost
	Nickel	No cost

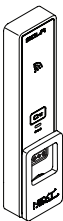
### Specification Information

Style Number	Base Price
--------------	------------

#### Keypad lock

<b>SNGLOCKKP</b>	\$147
------------------	-------

## Digital Lock – RFID Lock



### Standard Includes

- Digilock Sola RFID

### Options

<b>Unlock Position</b>	90 : 09 Left hand	No cost
	90 : 03 Right hand	No cost
<b>Functionality</b>	Assigned	No cost
	Shared	No cost
<b>Body Finish Paint</b>	Black	No cost
	Nickel	No cost

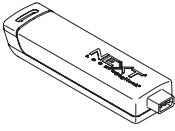
### Specification Information

Style Number	Base Price
--------------	------------

#### RFID lock

<b>SNGLOCKDG</b>	\$169
------------------	-------

## Programming Key – Keypad and RFID Lock



### Standard Includes

- For Digital Sola keypad and RFID lock

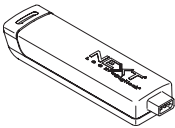
### Specification Information

Style Number	Base Price
--------------	------------

### Programming Key

<b>SNGSOLAKEYPK</b>	\$127
---------------------	-------

## Programming Key, Replacement – Keypad and RFID Lock



### Standard Includes

- For Digital Sola keypad and RFID lock

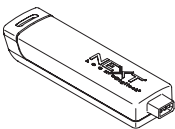
### Specification Information

Style Number	Base Price
--------------	------------

### Programming Key, Replacement

<b>SNGSOLAKEYPKR</b>	\$255
----------------------	-------

## Manager Key – Keypad and RFID Lock



### Standard Includes

- For Digital Sola keypad and RFID lock

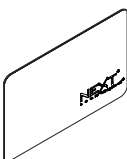
### Specification Information

Style Number	Base Price
--------------	------------

### Manager Key

<b>SNGSOLAKEYMK</b>	\$93
---------------------	------

## RFID User Card – RFID Lock



### Standard Includes

- For Digital Sola RFID lock

### Specification Information

Style Number	Base Price
--------------	------------

### RFID User Card

<b>SNGSOLARFIDUC</b>	\$23
----------------------	------

## RFID User Sticker



### Standard Includes

- For Digital Sola RFID lock

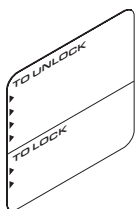
### Specification Information

Style Number	Base Price
--------------	------------

### RFID User Sticker

<b>SNGSOLARFIDUS</b>	\$13
----------------------	------

## User Label – RFID Lock



### Standard Includes

- For Digital Sola RFID lock

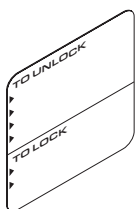
### Specification Information

Style Number	Base Price
--------------	------------

### User Label

<b>SNGSOLARFIDUL</b>	\$10
----------------------	------

## User Label – Keypad Lock



### Standard Includes

- For Digital Sola keypad lock

### Specification Information

Style Number	Base Price
--------------	------------

### User Label

<b>SNGSOLAKEYUL</b>	\$7
---------------------	-----



---

# Surface Materials

# Surface Materials

## Paint

Applies to:

- Carcass
- Wardrobe

### Price Group 1

#### Mesh Paint

BK Black

#### Gloss Paint

4140 Arctic White Gloss

#### Smooth Metallic

SL Silver  
4750 Champagne Metallic  
4798 Sterling Metallic  
4799 Platinum Metallic

#### Smooth Paint

NI Nickel  
4AQ7 Tangerine  
4AQ8 Wasabi  
4AQ9 Scarlet  
4AV3 Blue Jay  
4BG7 Taxi

#### Textured Paint

7241 Arctic White  
7360 Merle

#### Textured Metallic

7246 Midnight Metallic

### Price Group 2

#### Smooth Paint

1ATB Cloud  
1ATH Olivine  
1ATJ Sea Salt  
1ATK Citrine  
1ATR Blush  
4138 Graphite Met Gloss  
4145 Milk Gloss  
4242 Milk Smooth  
4CZ1 Aubergine  
4CZ2 Peacock  
4CZ3 Jungle  
4CZ4 Merlot  
4CZ5 Honey  
4CZ6 Lagoon  
4CZ7 Saffron  
4EE9 Electric Indigo

### Price Group 3

#### Smooth Metallic

4B20 Obsidian  
4B22 Matte Brass  
4B23 Burnished Bronze  
4B24 Night Bronze  
4B25 Matte Copper  
4B26 Smoked Mica  
4B27 Blue steel  
4B28 Silver Lilac  
4B29 Cast Iron  
4B30 Bright gold

## Paint

Applies to:

- Door
- Filler frame
- Drawer body and door
- Shelf

### Price Group 1

#### Mesh Paint

BK Black

#### Gloss Paint

4140 Arctic White Gloss

#### Smooth Metallic

SL Silver  
4750 Champagne Metallic  
4798 Sterling Metallic  
4799 Platinum Metallic

#### Smooth Paint

NI Nickel  
4AQ7 Tangerine  
4AQ8 Wasabi  
4AQ9 Scarlet  
4AV3 Blue Jay  
4BG7 Taxi

#### Textured Paint

7241 Arctic White  
7360 Merle

#### Textured Metallic

7246 Midnight Metallic

### Price Group 2

#### Smooth Paint

1ATB Cloud  
1ATH Olivine  
1ATJ Sea Salt  
1ATK Citrine  
1ATR Blush  
4138 Graphite Met Gloss  
4145 Milk Gloss  
4242 Milk Smooth  
4CZ1 Aubergine  
4CZ2 Peacock  
4CZ3 Jungle  
4CZ4 Merlot  
4CZ5 Honey  
4CZ6 Lagoon  
4CZ7 Saffron  
4EE9 Electric Indigo

### Price Group 3

#### Smooth Metallic

4B20 Obsidian  
4B22 Matte Brass  
4B23 Burnished Bronze  
4B24 Night Bronze  
4B25 Matte Copper

## Laminate

Applies to:

- Door
- Drawer door
- Cladding

### Price Group 1

#### Solid Laminate

AW01 Arctic White  
2L83 Seagull  
2LMG Merle

#### Woodgrain Laminate

160 Maple  
25L8 Clear Walnut  
24L0 Graphite Walnut  
2LAT Acacia  
2LWE Warm Elm  
2LGO Grey Oak

## Edgeband

Applies to:

- Door
- Drawer door
- Cladding

6009 Arctic White  
6053 Seagull  
6213 Acacia  
6231 Graphite Walnut  
6237 Maple  
6245 Clear Walnut  
6527 Merle  
6LWE Warm Elm  
6LGO Grey Oak

## PET

Applies to:

- Back Surface Cladding

1902 Flax  
1904 Sea Salt  
1907 Denim  
BZ03 Dark Grey  
BZ11 Silver  
BZ47 Cloud

*Please note – Open lockers and wardrobe come with PET cladding on the inner side. However there is no option available to change the PET from the default Flax 1902.*

*Kindly raise an equote to specify a special color for above mentioned exceptions.*