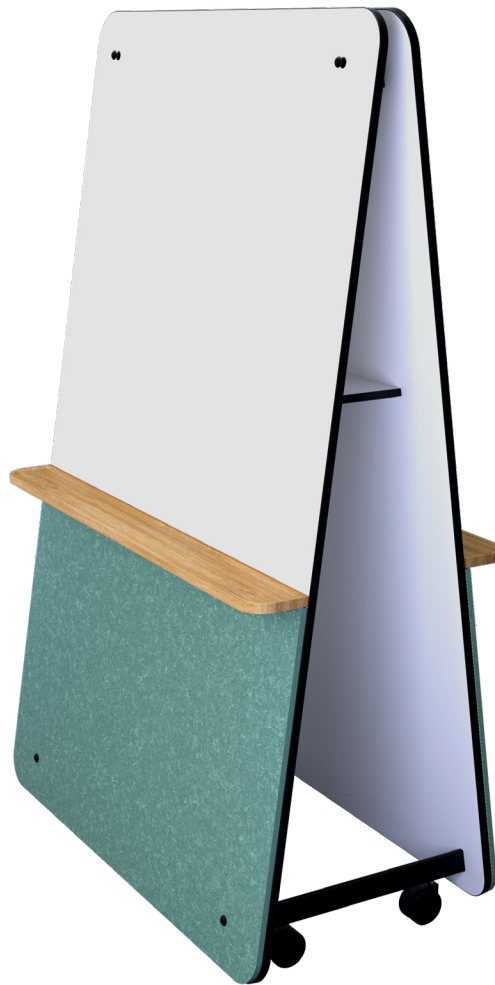


WEDGE THOUGHTBOARD ACOUSTIC

ASSEMBLY INSTRUCTIONS



Luxxbox reserves the right to change the specification, material and colors at any time without notice. Standard warranty terms and conditions apply. All rights reserved © All dimensions and values on specification sheet are nominal. May 2022. LX-WTA-Assembly Instructions-v1.2



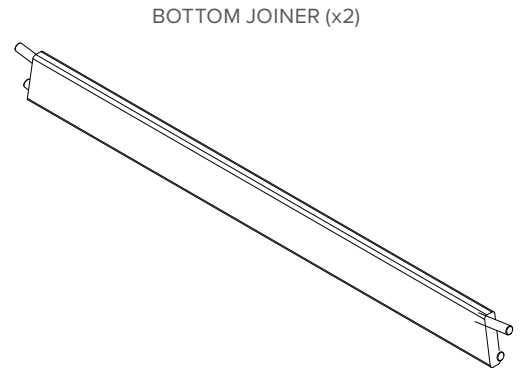
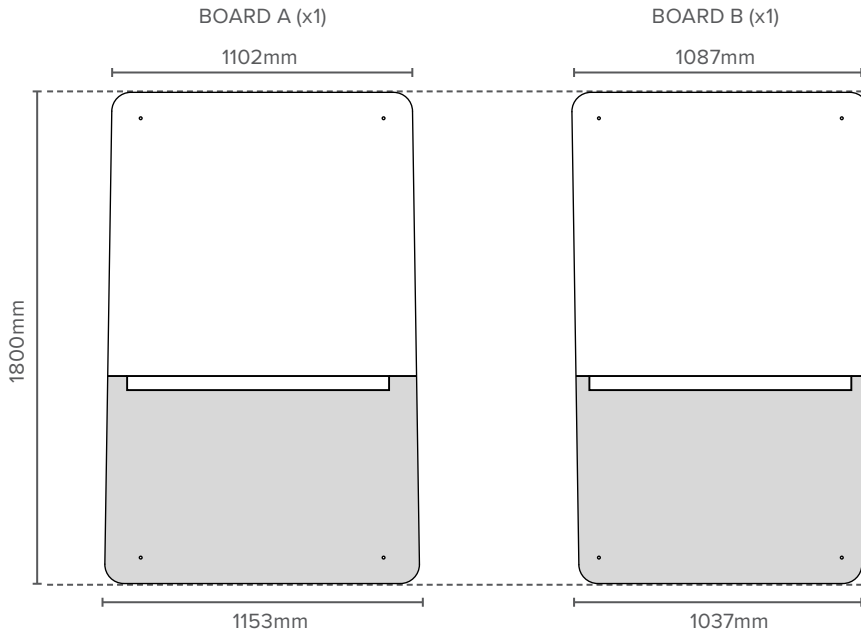
LUXXBOX USA INC × (P)+1 (415) 871 0448 × USA@LUXXBOX.COM
LUXXBOX PTY LTD × (P)+61 7 3257 2822 × INFO@LUXXBOX.COM
WWW.LUXXBOX.COM



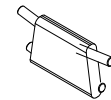


WEDGE THOUGHTBOARD ACOUSTIC Assembly Instructions

COMPONENTS



TOP JOINER(x2)



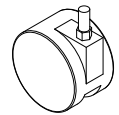
HOOK BUTTONS (x8)



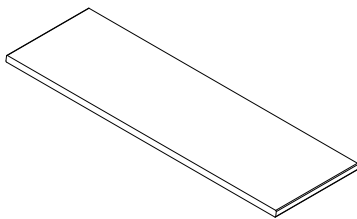
6G 5/8 SCREWS (x32)



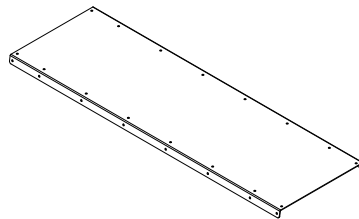
CASTOR WHEELS (x4)



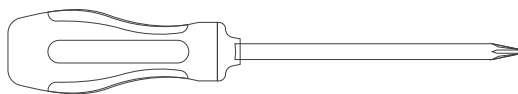
INTERNAL SHELF(x1)



MOUNTING BRACKET(x1)



TOOLS REQUIRED



PHILIPS SCREW DRIVER



PLEASE DON'T USE A DRILL UNTIL STEP 5

Luxxbox reserves the right to change the specification, material and colors at any time without notice. Standard warranty terms and conditions apply. All rights reserved © All dimensions and values on specification sheet are nominal. May 2022. LX-WTA-Assembly Instructions-v1.2



LUXXBOX USA INC × (P)+1 (415) 871 0448 × USA@LUXXBOX.COM
LUXXBOX PTY LTD × (P)+61 7 3257 2822 × INFO@LUXXBOX.COM
WWW.LUXXBOX.COM



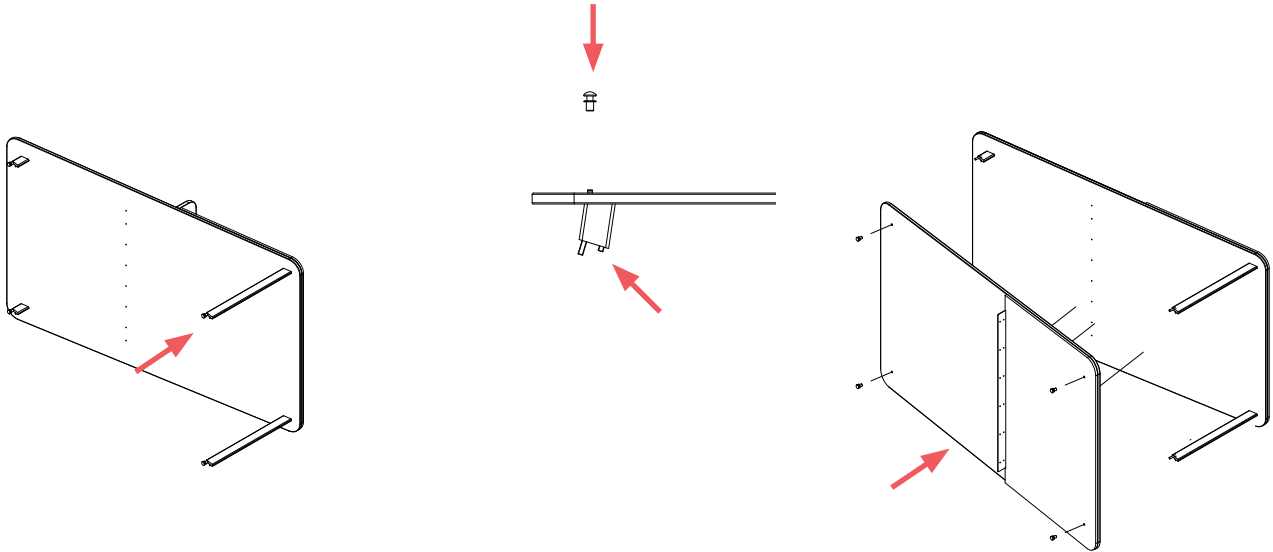


WEDGE THOUGHTBOARD ACOUSTIC

Assembly Instructions

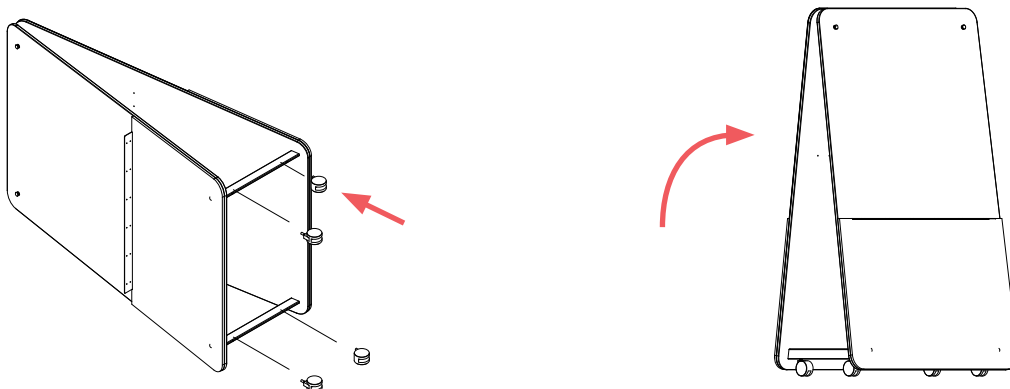
STEP 1

Place Board A on its long edge, we recommend doing this on top of a rug or carpeted surface to avoid scratches. It is recommended that one person holds the board still while the other person fixes top and bottom joiners. To fix the joiners in place, insert the threaded rod into its hole and tighten hook button from the opposite side. The hook button has small hole on its side so that you can insert a small Allen Key and tighten properly. Please note the shorter threaded rod should always be facing down. Once the top and bottom joiners have been fixed to Board A, proceed with Board B in the same way.



STEP 2

Fix castor wheels by gently pushing them inside the holes on the bottom joiner. Once castor wheels have all been assembled, turn the Wedge ThoughtBoard Acoustic so that it stands up.



Luxxbox reserves the right to change the specification, material and colors at any time without notice. Standard warranty terms and conditions apply. All rights reserved © All dimensions and values on specification sheet are nominal. May 2022. LX-WTA-Assembly Instructions-v1.2



LUXXBOX USA INC × (P)+1 (415) 871 0448 × USA@LUXXBOX.COM
LUXXBOX PTY LTD × (P)+61 7 3257 2822 × INFO@LUXXBOX.COM
WWW.LUXXBOX.COM



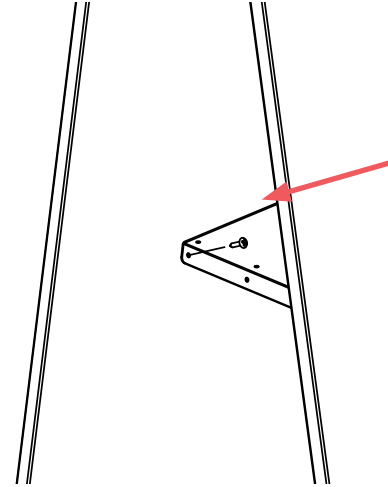
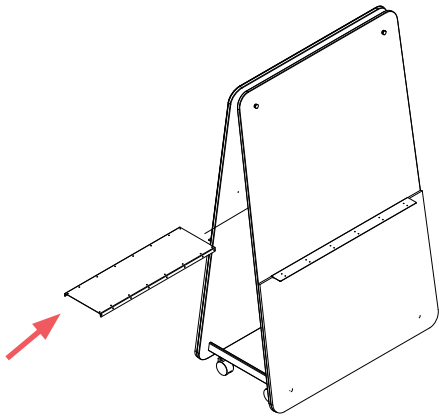


WEDGE THOUGHTBOARD ACOUSTIC

Assembly Instructions

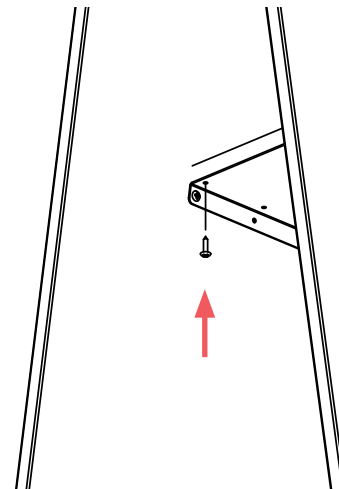
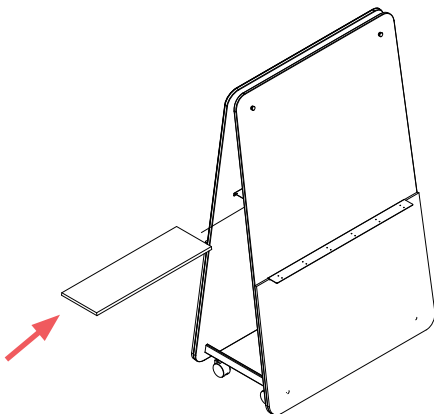
STEP 3

Slide Mounting Bracket inside the Wedge ThoughtBoard from the side and fix to Board A and Board B using the screws provided. It is recommended to have one person holding the bracket in place while the other person fixes the screws.



STEP 4

Slide internal shelf from the side and place on top of mounting bracket. Align pilot holes on the shelf with holes on the bracket and fix using the screws provided



Luxxbox reserves the right to change the specification, material and colors at any time without notice. Standard warranty terms and conditions apply. All rights reserved © All dimensions and values on specification sheet are nominal. May 2022. LX-WTA-Assembly Instructions-v1.2



LUXXBOX USA INC × (P)+1 (415) 871 0448 × USA@LUXXBOX.COM
LUXXBOX PTY LTD × (P)+61 7 3257 2822 × INFO@LUXXBOX.COM
WWW.LUXXBOX.COM



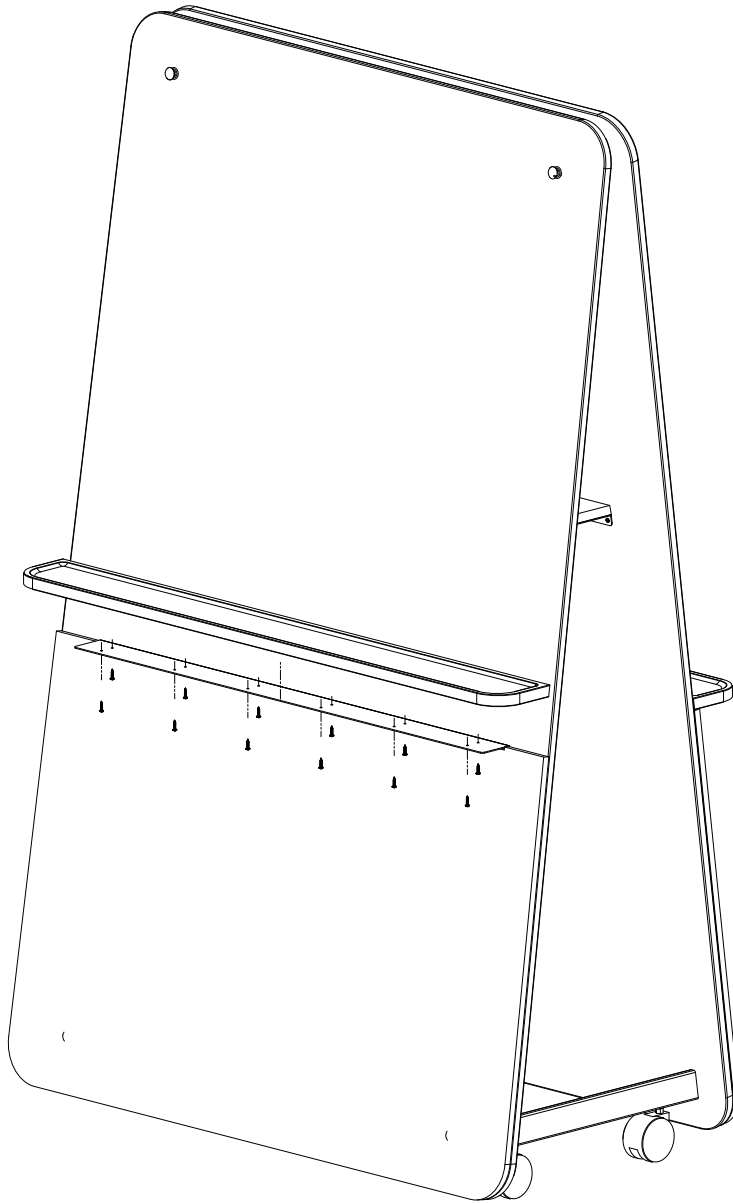


WEDGE THOUGHTBOARD ACOUSTIC

Assembly Instructions

STEP 5

Align outer shelf on top of the outer bracket with sides of the board. Drill pilot holes into shelf and then use screws to attach shelf to bracket. Please note the pilot holes shouldn't be too deep as the shelf is not very thick and there is a risk of drilling through the tray.



Luxxbox reserves the right to change the specification, material and colors at any time without notice. Standard warranty terms and conditions apply. All rights reserved © All dimensions and values on specification sheet are nominal. May 2022. LX-WTA-Assembly Instructions-v1.2



LUXXBOX USA INC × (P)+1 (415) 871 0448 × USA@LUXXBOX.COM
LUXXBOX PTY LTD × (P)+61 7 3257 2822 × INFO@LUXXBOX.COM
WWW.LUXXBOX.COM

