

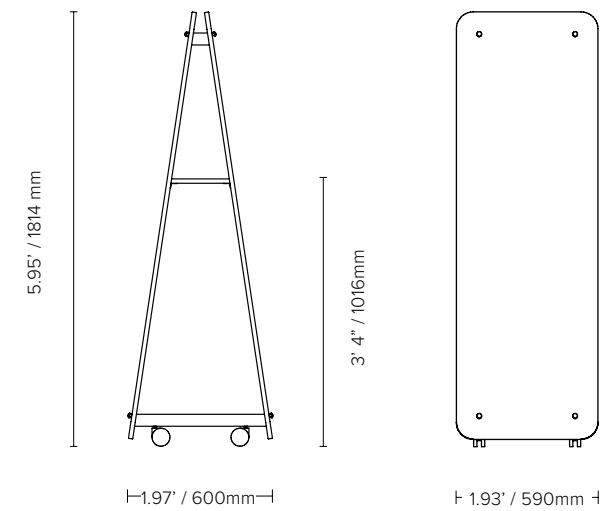
# WEDGE THOUGHTBOARD SLIM

## KEY FEATURES

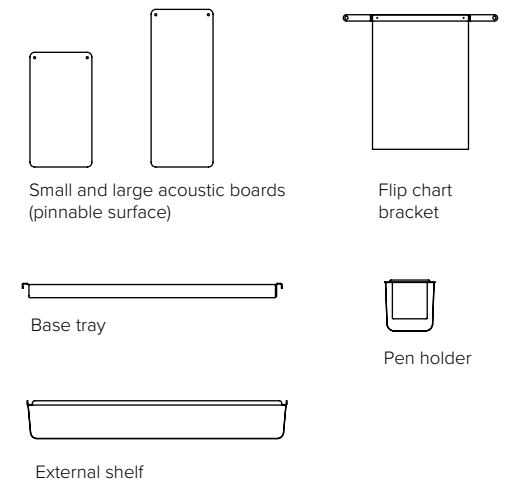
- Only GECA certified agile whiteboard on the market
- Superior quality ceramic steel writing surface
- Use multiple ThoughtBoards to create a straight or curved room divider
- High quality lockable castors for ease of movement, concealed to remove trip hazard
- Non-magnetic option available
- All versions include internal shelf
- Ships flat, easy to assemble, short lead times



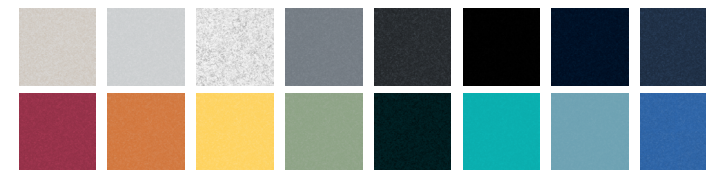
## SIZE



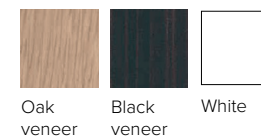
## ACCESSORIES



## PET COLORS



## INTERIOR FINISH



## EDGE PANEL

