



Flowform[®] Soft Seating

Soft Rocker Chair

MODEL#: 55000



OVERVIEW

The soft rocker offers a new style of active seating. The rocking action promotes engaging interaction with others. Children, adolescents and even adults love the rocking motion of the soft rocker.

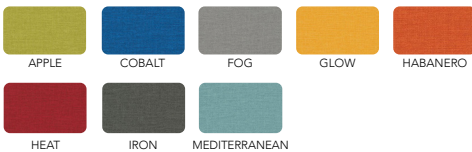
MATERIALS

The STRUCTURE is constructed of durable kiln-dried Pine solid hardwood with a poplar plywood frame, which is corner blocked at load bearing connections. The back frame is webbed for structural integrity. The seating pad is made from high density foam meeting FR CA117 standards and contains no added flame retardant chemicals.

The FABRIC is Designtex 100% vinyl, phthalate free, with a Polyester backing. Highly durable with a 1,000,000 Wyzenbeek double rub (CD) rating. The fabric is easily cleanable with a 10:1 Water: Bleach mixture.

WEIGHT CAPACITY 1 user up to 250 lbs.

STANDARD VINYL COLOR OPTIONS



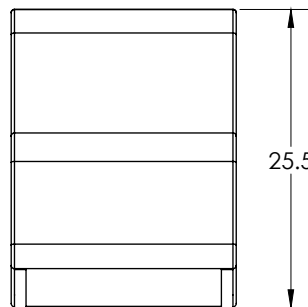
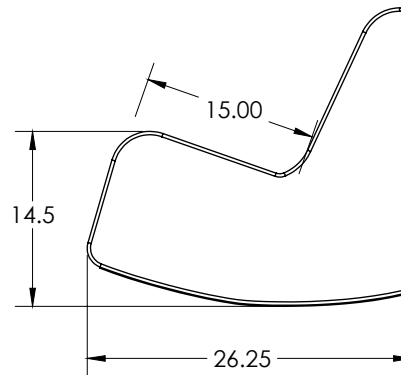
VINYL COLOR OPTIONS WITH LEAD TIME:



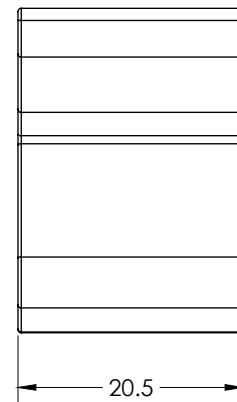
Custom Materials Program Available – Contact Us for Details

DIMENSIONS

Model	Description	D"	W"	H"	F.C.	Cube	WT
55000	Flowform Soft Rocker Chair	26.25	20.5	25.5	125	2	18



FRONT VIEW



TOP VIEW

DESIGNTEX

PATTERN	Alphabet
CONTENT	100% Vinyl
BACKING	Polyester, Knit
FLAME RESISTANCE	CA Bulletin 117-2013
DURABILITY	1,000,000 D. R.
MAINTENANCE	W: Bleach Cleanable (10:1)
FINISH	Advanced Protective Topcoat