

Plantation Desking.

Product **Specifications**



Innovative Thinking • Responsive Support • Open Communication

myolg.online

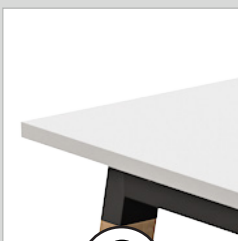
Plantation Desking.

The Plantation family of desking & tables in solid Oak, brings the natural beauty of timber inside the office, and blends it with modern manufacturing methods & materials to ensure longevity.

True to its origin in nature, Plantation can adapt easily, being suitable for individual or group space, focused or social. In fact, it is ideal for today's creative working environments, delivering a practical & thoughtful solution, supporting an array of working styles and configurations.

Modular components increase flexibility & reusability, while simplifying end-of-life strategies. Meanwhile, a minimal chassis structure maximises leg room, storage space and supports the addition of accessories & cable management, keeping the workspace tidy.

Key Features



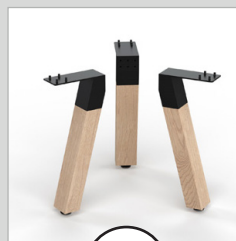
A. E1 Grade Worktop

Commercial grade 25mm melamine worktop with super low emissions grade for a healthier workspace!



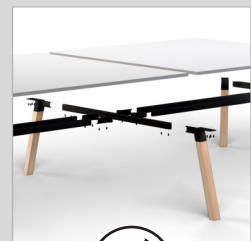
B. Strong & Durable

Black powdercoated rails and connectors for extra strength and stability.



C. Nature Inspired Design

Solid oak leg mimics textures of the outdoors to inspire a natural look and feel in your workplace.



D. Component Based

Supplied in individual components to allow for a wider range of variations in length and width. (Also available in 'Frame Only' options)

Plantation Desking.

In Detail



Fast Assembly

Comes mostly assembled - less than 5 minutes per frame install time.



Sustainably Sourced Oak Legs

All timber is sourced from an FSC certified forest, satisfying your office furniture needs without compromising sustainability.



Various Legs Connections

Straight or splay leg connectors for different applications.



A Family To Choose From

Available in 3 & 4 leg for single sided desks, and 2, 4, 6 user double sided desking combinations.



Slick Look

50 x 70mm sustainably sourced timber legs turned to ensure the maximum room under the desk.

Screen Options

Multiple screen bracket options available to support cable trays & screens with power and data

E1 Grade Worktop

25mm E1 grade substrate finished in studio white with matching 2mm PVC edge



Strength

Black powdercoated rails and connectors for extra strength and stability

Sturdy Feet

25mm adjustable foot with leveling adjustment

Sustainable Materials

Legs are sourced from an FSC certified forest.

10 Year Warranty
Best in it's class.



* Refer to page 8 for Ratings & Certifications details.

Plantation Desking.

Optional Upgrades

AcoustiQ Screens (clamp on)

10 mm AcoustiQ pinnable substrate
100% Polyester recycled PET

Cast aluminium clamps in white/
black powdercoat (3 types available)

Square finishing on bottom
and 50 mm radius on top

Radius18 Screens

Standard height 400 mm above desk
(can be changed on request)

18 mm nominal thickness

Black Clamp Brackets

Studio50 Screens

Standard height 500 mm above desk
(can be changed on request)

50 mm thickness

Hidden Brackets



Plantation Single Sided Desk
with AcoustiQ Modesty
Radius18 & Studio50 screens also available



Plantation 4 User Double Sided Desk
with Radius18 screen
Studio50 & AcoustiQ screens also available



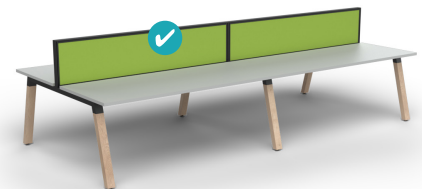
Plantation Double Sided Desk
with Studio50 screen
Radius18 & AcoustiQ screens also available



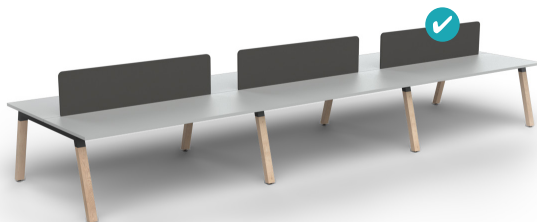
Plantation Single Sided Desk
with return & AcoustiQ modesty
Radius18 & Studio50 screens also available



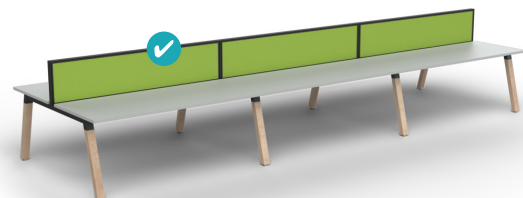
Plantation Double Sided Desk
with Radius18 screen
Studio50 & AcoustiQ screens also available



Plantation 4 User Double Sided Desk
with Studio50 screen
Radius18 & AcoustiQ screens also available



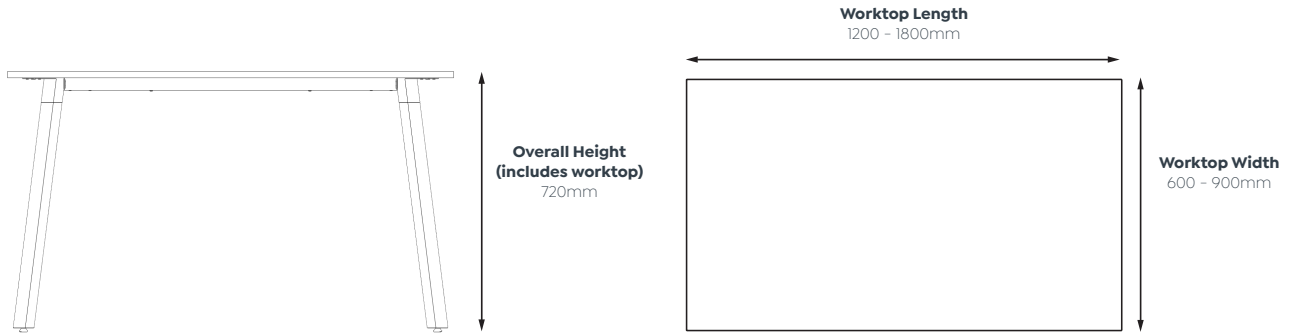
Plantation 6 User Double Sided Desk
with Radius18 screen
Studio50 & AcoustiQ screens also available



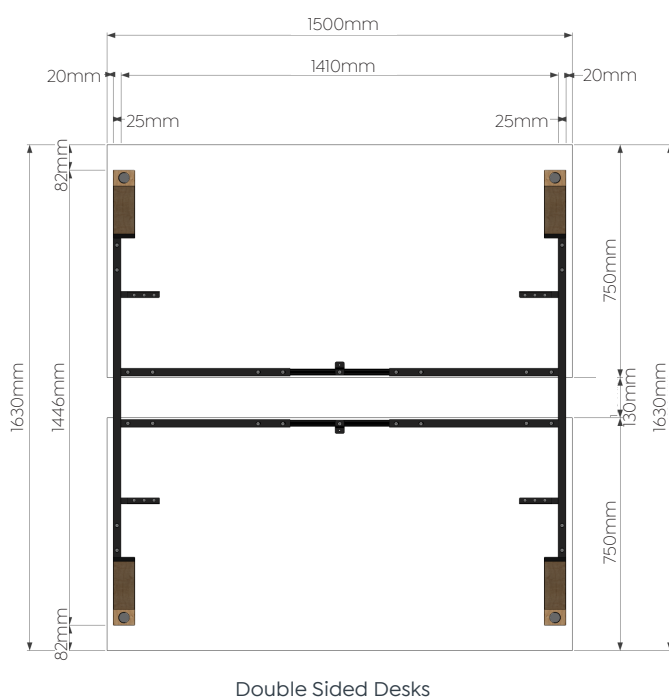
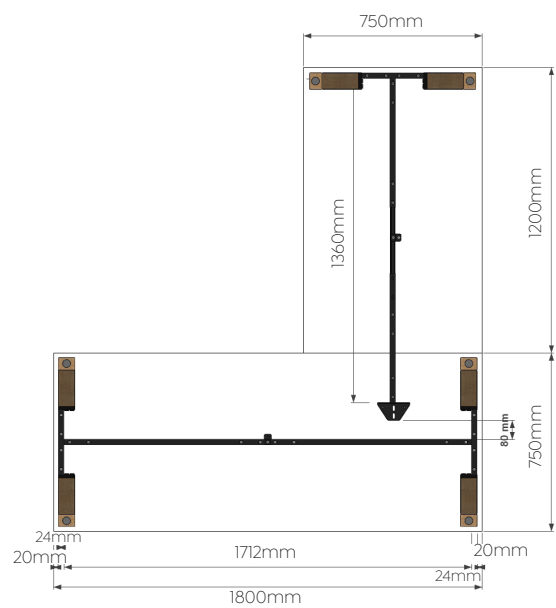
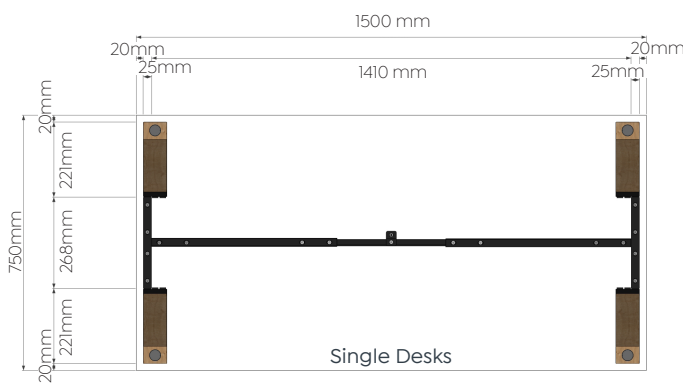
Plantation 6 User Double Sided Desk
with Studio50 screen
Radius18 & AcoustiQ screens also available

Plantation Desking.

Dimension Specifications



Typical Frame Dimensions



Plantation Desking.

Workstation Configurations



Available Sizes

Single Sided Desks

1200 x 750mm	1600 x 800mm
1500 x 750mm	1800 x 750mm
1500 x 800mm	1800 x 800mm
1600 x 750mm	1800 x 900mm

Single Sided Desk with Modesty

1200 x 750mm	1600 x 800mm
1500 x 750mm	1800 x 750mm
1500 x 800mm	1800 x 800mm
1600 x 750mm	1800 x 900mm

Desk & Return (Straight Splay with Full Frame (1200 x 750mm Return))

1500 x 750mm	1800 x 750mm
1500 x 800mm	1800 x 800mm
1600 x 750mm	1800 x 900mm
1600 x 800mm	

Single Sided Desk & Return w/ Modesty

1500x 750mm	1800 x 750mm
1500 x 800mm	1800 x 800mm
1600 x 750mm	1800 x 900mm
1600 x 800mm	

Double Sided Desks

1200 x 600mm	1500 x 800mm	1800 x 600mm
1200 x 750mm	1600 x 600mm	1800 x 750mm
1500 x 600mm	1600 x 750mm	1800 x 800mm
1500 x 750mm	1600 x 800mm	

OLG's Ratings & Certifications.



10 Year Warranty

OLG Warranty promises the original purchaser that it will repair or replace with comparable product, at its option and free of charge (for material and components), any product, part or component which fails under normal use over the duration of the specified warranty term (taken from the date of purchase). Normal commercial usage is defined as the equivalent of a single shift, 40 hour work-week.



Weight Rating

All seating products have an OLG endorsed 120kg minimum weight rating. All OLG seating products are designed with reference to relevant international standards, including ANSI/BIFMA and AS/NZS. These standards stipulate strength & durability requirements and give the user confidence about the product's longevity. OLG's ISO certified factories use propriety test rigs to issue OLG's own weight ratings for chairs.



ISO 14001

ISO 14001 Certification is the international standard that specifies requirements for an effective Environmental Management System (EMS). It provides a framework that OLG as an organization can follow. At OLG we are using this framework as an approach to continuous improvement across all environmental aspects of our business.



ISO 9001

ISO 9001 Certification is the world's most widely recognized Quality Management System (QMS). At OLG its our guiding principle to meet the expectations and needs of our customers through quality management systems that continually monitor and manage quality across all operations to deliver consistent performance and service.



AS/NZS 4801

AS/NZS 4801 is the benchmark to assess Occupational Health & Safety Management systems for organisations. This standard contains vital information about meeting legal requirements and invaluable guidance on how to establish sustained improvement in health and safety performance in your business.



GECA Certification

GECA (The Good Environmental Choice Australia) Ecolabelling Program, operates a national third-party, independently verified ecolabel, in conformance with Environmental labels and declarations (ISO 14024), that can be applied to a wide range of products and services. This certification gives you an independent, reliable and convenient way to select OLG products and services that are certified by GECA to deliver better environmental outcomes. Anvil and Axis (available to GECA specification by special request). EkoSystem approved as EKO Brand.



AFRIDI Certification

AFRDI Certification is a set of standards covering strength, durability, stability and safety (and ergonomics in the case of desks and workstations). This means that OLG are accountable for maintaining the quality of our products, submitting them for regular auditing to ensure they meet the highest standards for commercial use. Applies to: Urban Mesh (Level 6 – Severe Commercial), Modulus Flip Table (Level 3 – Severe Commercial, tested with 1500 x 750 top and Agile+ Single Sided Dual Motor Electric Desk).



BIFMA Certification

BIFMA Certification focuses on safety and performance standards developed by the BIFMA Engineering Committee. The standards provide manufacturers, specifiers, and users with a common basis for evaluating safety, durability, and the structural adequacy of the specified furniture, independent of construction materials. The standards define specific tests, laboratory equipment to be used, the conditions of test, and the minimum acceptance levels to be used in evaluating these products. Applies to: Balance Executive, Balance Task, Optic Chair, Adapta Chair, Game Chair 4 leg, Game Chair 4 leg with seat and back pads, Game Sled, Game Sled with seat and back pads, Agile+, Agile Electric 2-Column single motor, Motion Sync



Australian Trusted Trader

Australian Trusted Trader Certification is a standard that rewards companies showing compliant behaviour, secure supply chain with strong security practices, to enjoy a wide range of trade facilitation benefits. OLG have held this status since 2017.



FSC

FSC is the leading catalyst and defining force for improved forest management and market transformation, shifting the global forest trend toward sustainable use, conservation, restoration, and respect for all. Applies to: Plantation timber legs



GREENGUARD Certification

A GREENGUARD Certification ensures that a product has met some of the world's most rigorous and comprehensive standards for low emissions of volatile organic compounds (VOCs) into indoor air. GREENGUARD Gold Certification offers certification criteria that considers safety factors to account for sensitive individuals (such as children and the elderly), and ensures that a product is acceptable for use in environments such as schools and healthcare facilities.

Plantation Desking.

Cheat Sheet Quick Guide

Standard Features

Legs constructed with black powder coat top housing and natural finish solid oak

Single desks & DSD configurations

Black powdercoat rails and connectors

Worktop height 720 mm

25mm Adjustable Foot

70 x 50mm leg

Melamine Worktop- 25 mm E1 grade substrate finished in studio white with matching 2 mm PVC edge

Cable Management

Prodigy Baskets 750/ 950/ 1250 mm

Cable Clutch

EXCLUDES: power/data

Power Data (optional extra)

Below Desks in basket

Above Desk Pixel

Screen Options

Radius18 Screens (standard height 400mm above worktop)

Studio50 Screens (standard height 500mm above worktop)

AcoustiQ Screens (standard height 300mm above worktop)

Melamine Worktop Colour Option



White



Studio50 Screens are Australian Made.

Studio50 & Radius18 Screen Colour Options

Breathe



Splice



Motion Felt (Price on Application)



AcoustiQ Screen Colour Options





Plantation Single Sided Desk with Modesty and Mode Midback



Plantation double sided desks with Radius18 screens, Motion Sync with lumbar, and Agile Steel mobile.

Additional Options.

Storage



Axis Mobile Drawers
Two Box Drawers + One File Drawer - Gang Locking



Axis Mobile Drawers
Four Box Drawers Gang Locking



Axis Caddy Mobile Bookcase
2 x Adjustable Shelves



Axis Caddy Mobile Bookcase
1 x Drawer Insert
Left or Right Handed Configuration



Axis Caddy Mobile
2 x Drawer Insert



Axis Caddy Mobile Bookcase
1 x Tambour Insert
Left or Right Handed Configuration



Axis Caddy Mobile Bookcase
1 x Tambour Insert
1 x Drawer Insert
Left or Right Handed Configuration



Axis Caddy Mobile
2 x Tambour Insert



Agile Steel Caddy L/H
Metal caddy unit with tambour and 3 drawers. Available in 2 Powdercoats



Agile Steel Caddy R/H
Metal caddy unit with tambour and 3 drawers. Available in 2 Powdercoats



Agile Regular Steel Mobile
Metal mobile drawer unit with 2 drawers and 1 file. Available in 2 Powdercoats



Agile Narrow Steel Mobile
Metal mobile drawer unit with 2 drawers and 1 file. Available in 2 Powdercoats



Axis Credenza 1200 Two Levels
2 x 25 mm adjustable shelves



Axis Credenza 1800 Two Levels
1 x 18 mm adjustable shelves
4x hinged locking doors



Axis Bookshelf Three Levels
2 x 25 mm adjustable shelves



Axis Bookshelf Five Levels
3 x 25 mm adjustable shelves
1 x fixed shelf



Axis Cupboard Locking Three Levels
2 x 18mm adjustable shelves



Axis Cupboard Locking Five Levels
3 x 18 mm adjustable shelves
1 x fixed shelf



Axis Tower Bookcase
2 x Adjustable Shelves



Axis Tower Bookcase
1 x Drawer Insert

Accessories



Monitor Arms
Axis / Studio50 Brackets



Cable Management
Above Desk / Below Desk



Modesties
Melamine / Metal



Laptop Riser
Available in Black



Deskmount Shelves
Studio White
243 high x 600 wide x 300 deep



We'd love to help.

02 8188 2732

info@olgoffice.com

myolg.online

olgoffice.com

officedesigner.net

motionoffice.com

officefitoutcalculator.com.au

myolgpricelist.online

acoustiq.com.au

Innovative Thinking • Responsive Support • Open Communication