



*ELEVAR NEW VISION (ENV)
technical specifications*

ELEVAR NEW VISION (ENV)

Workstation

Introducing the next generation in Ergonomic Desking, the ENV system. Available in 2-leg or 4-leg back-to-back systems, the ENV takes ergonomics into consideration from the moment you begin assembly. Equipped with the latest in mounting technology and designed by Elevar and their European partners, ENV brings a faster, quieter, more enjoyable sit-to-stand experience that must be seen to be believed.

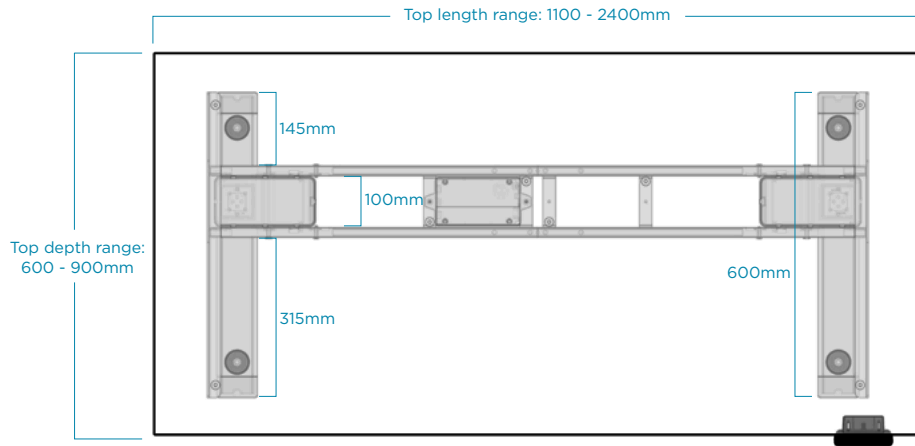
ENV Workstations by Elevar - Raising the Standard.

Product Type	Three Stage Electric Leg - One Motor per Leg
Configuration	180° Freestanding 180° Back to Back
Height Range	620mm - 1282mm with 25mm Top AS/NZS 4442 Standard Compliant
Top Size	1200mm - 2400mm L x 600mm - 900mm D Freestanding 1300mm - 2000mm L x 600mm - 900mm D Back to Back
Frame Type	Quick Frame Pre-Assembled Cabling and Electrics Virtually Tool-less Assembly QuickRim™ Fast Assembly System
Foot Type	600mm C-Foot with 30° Angle on Freestanding 600mm T-Foot with 30° Angle on Freestanding with Cable Tray Post Legs on Back to Back System Adjustable Glides +/- 15mm
Controller	3 Programmable favourite height buttons Container / Shelf stop for custom min and max height Collision control with adjustable sensitivity Gyroscopic tilt sensor with adjustable sensitivity Desk lock USB-C charging port
Cable Tray / Screen	Telescopic cable tray with lid Punchouts for up to 16x power and data points Quick Rim system 1300mm - 1900mm adjustability Optional joiners for seamless cable management Segregated for power and data Punchout and anchor points for Umbilical Integrated screen brackets included for screen sizes between 10mm - 50mm
Travel Speed / Volume	50mm/second <45dB
Weight Capacity	120kg per frame
Finish	Pearl White, Jet Black
Warranty	10 Years Frame, Mechanics, and Electrics

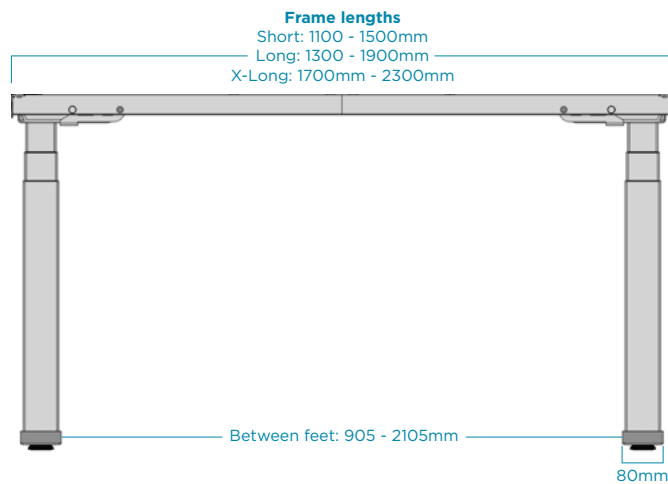
ENV2

Freestanding 2-Leg

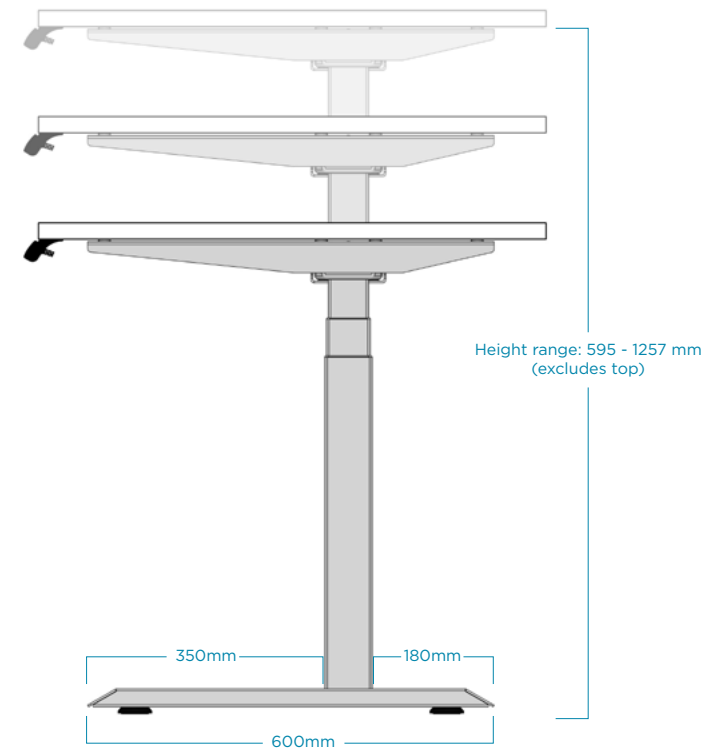
Top Dimensions



Frame Dimensions



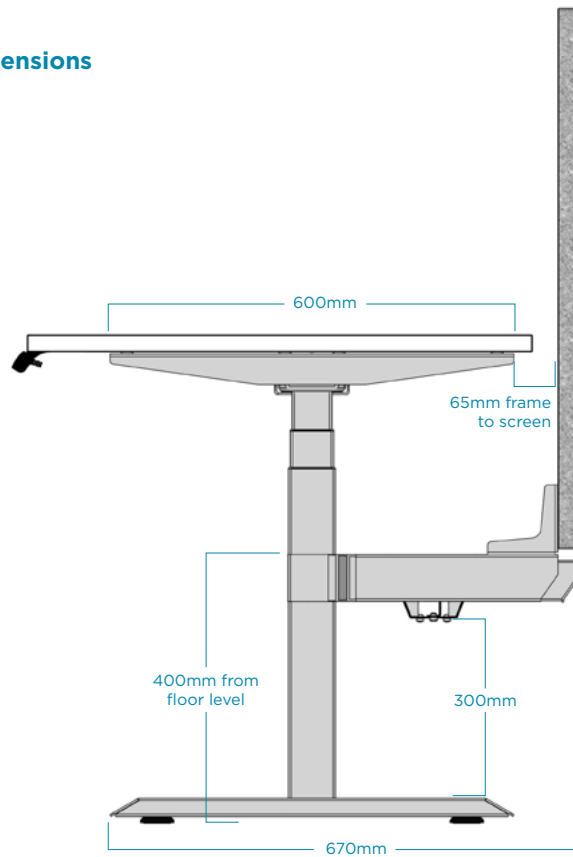
Frame / Height Dimensions



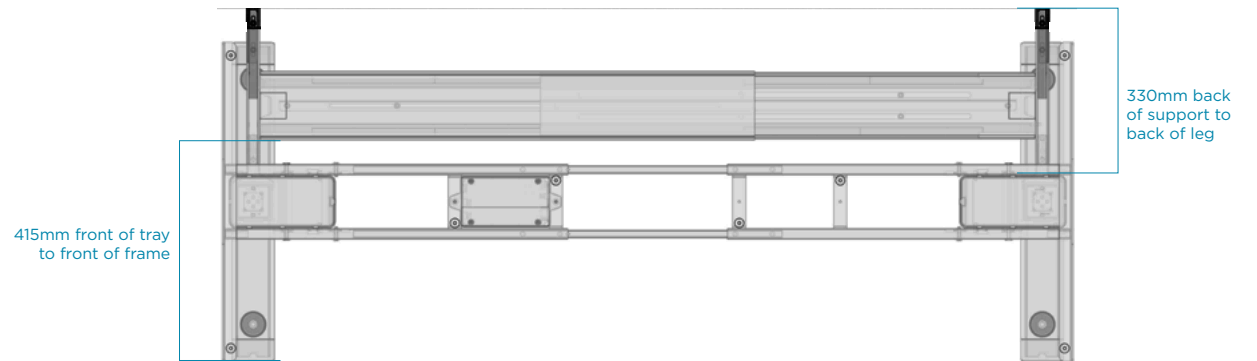
ENV2-TRAY

Quickrim Cable Tray and Screen Brackets

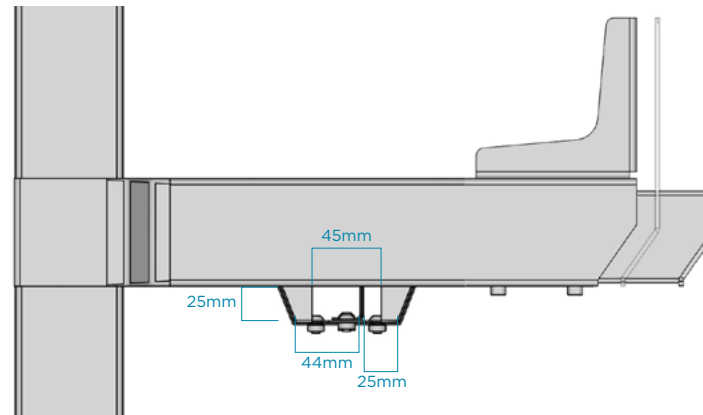
Dimensions



Frame Dimensions (top view)



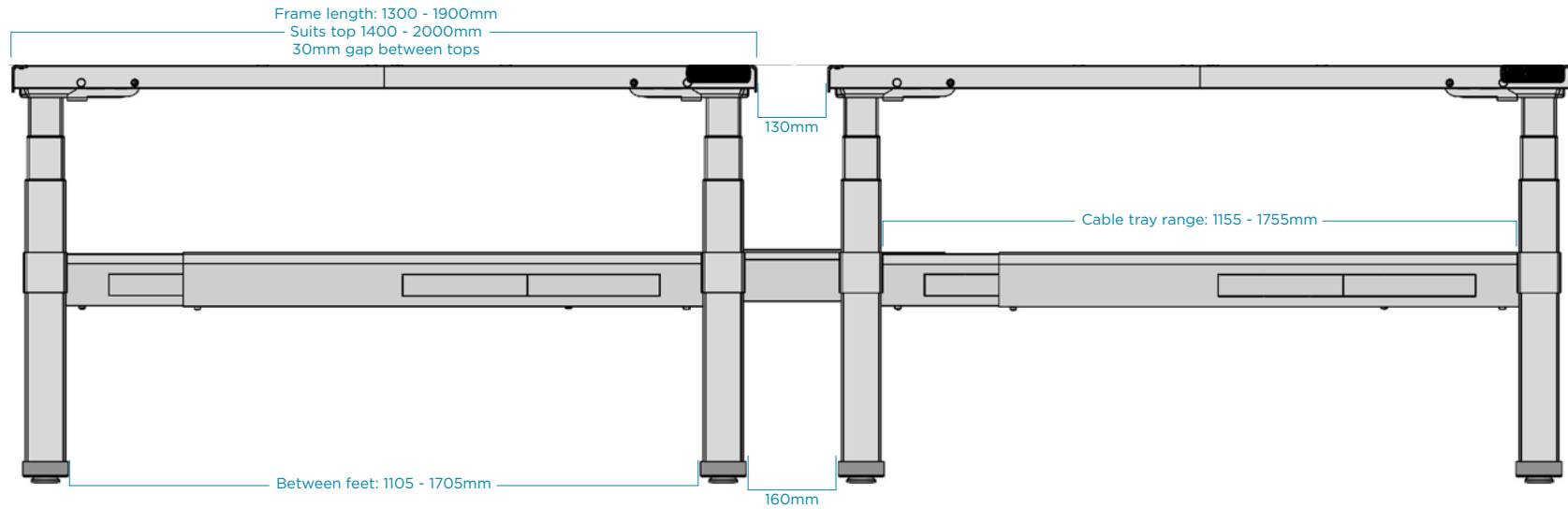
Frame Dimensions (side view)



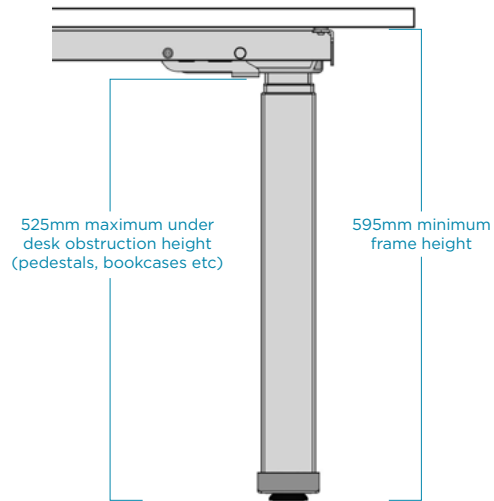
ENV2-TRAY

Quickrim Cable Tray and Screen Brackets

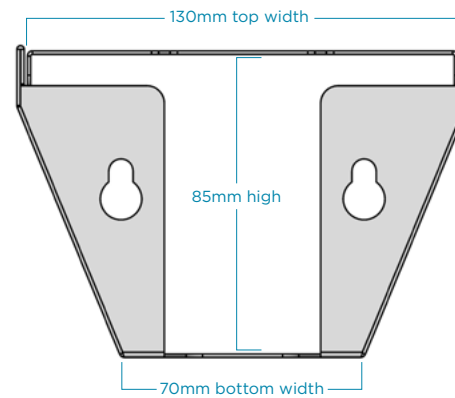
Frame Dimensions



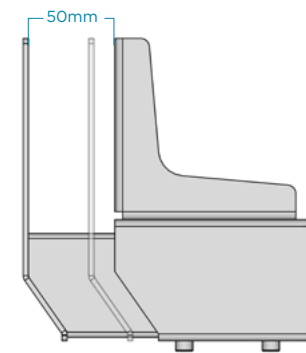
Frame Height Dimensions



Joiner Box Dimensions



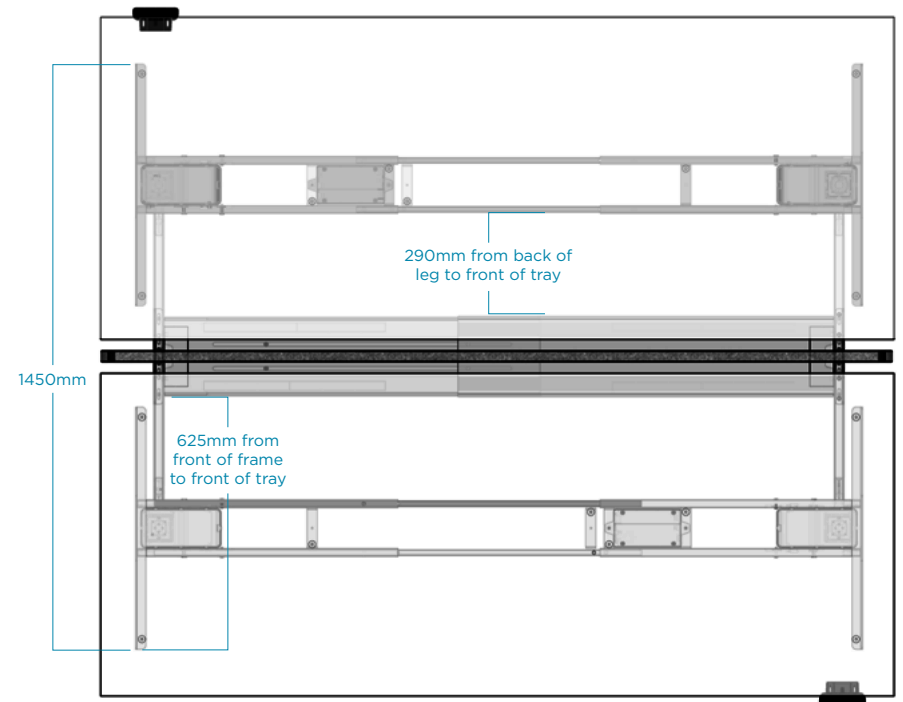
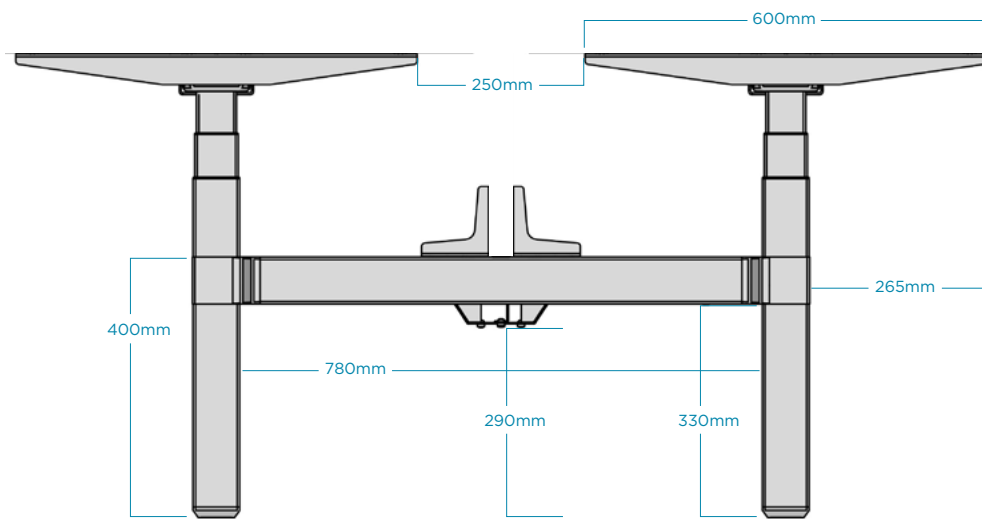
Acoustic/Extruded Screen Bracket



ENV4

Back to back workstation system

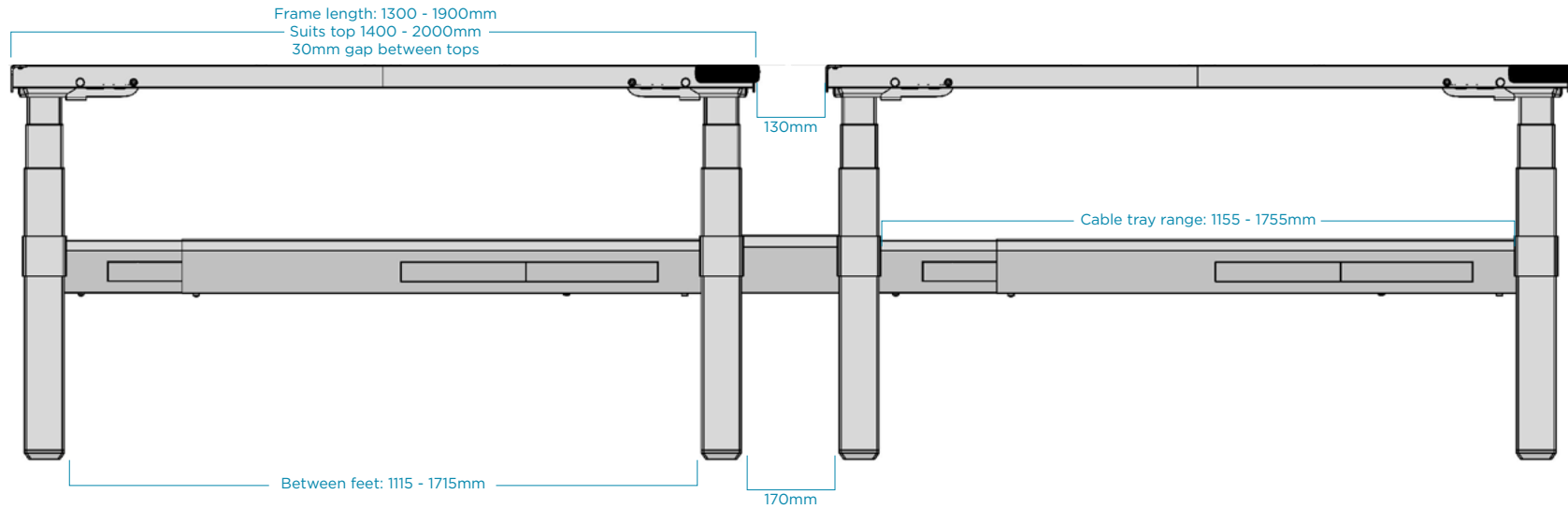
Frame Dimensions



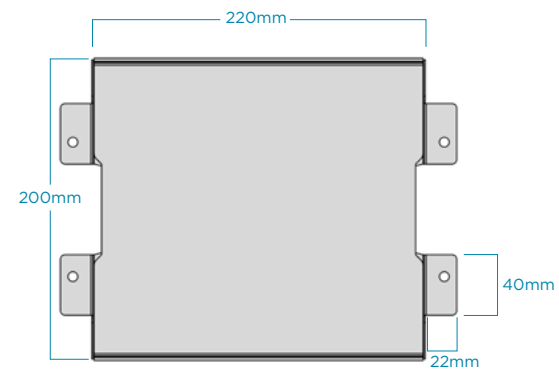
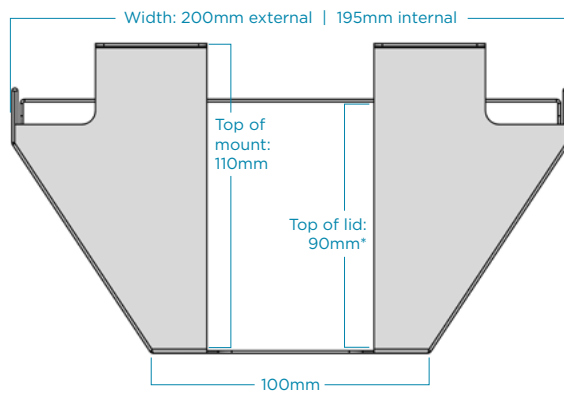
ENV4

Back to back workstation system

Frame Dimensions



Joiner Box Dimensions

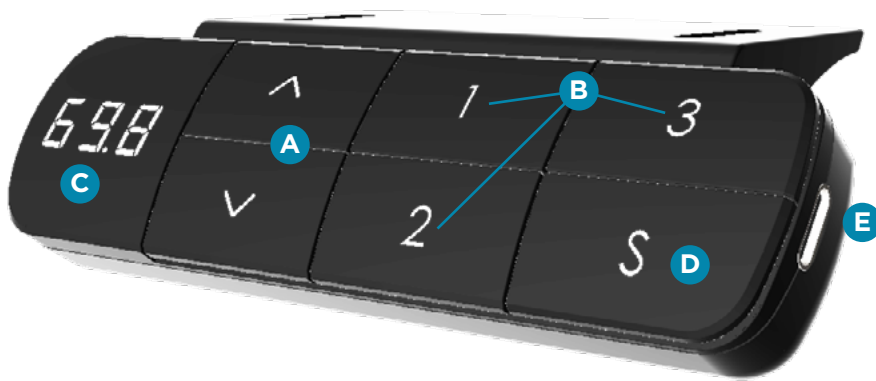


* Tray sits 20mm below rail to ensure ease of access when screens are installed.

ENV2-TRAY

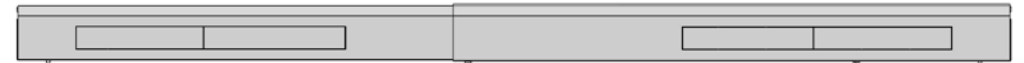
Universal Dimensions

Handset



- A. Up/down buttons
- B. Programmable favourite height buttons
- C. Height display in centimeters
- D. Settings program button for customised settings
- E. USB-C charging port

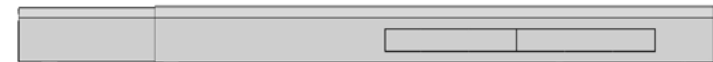
Cable Tray Dimensions



1800mm top: 16x GPO and/or data | Front and back | Top lid exits both sides



1500mm top: 8x GPO and/or data | Front and back | Top lid exits one side



1300mm top: internal power and data only | Top lid exits one side

