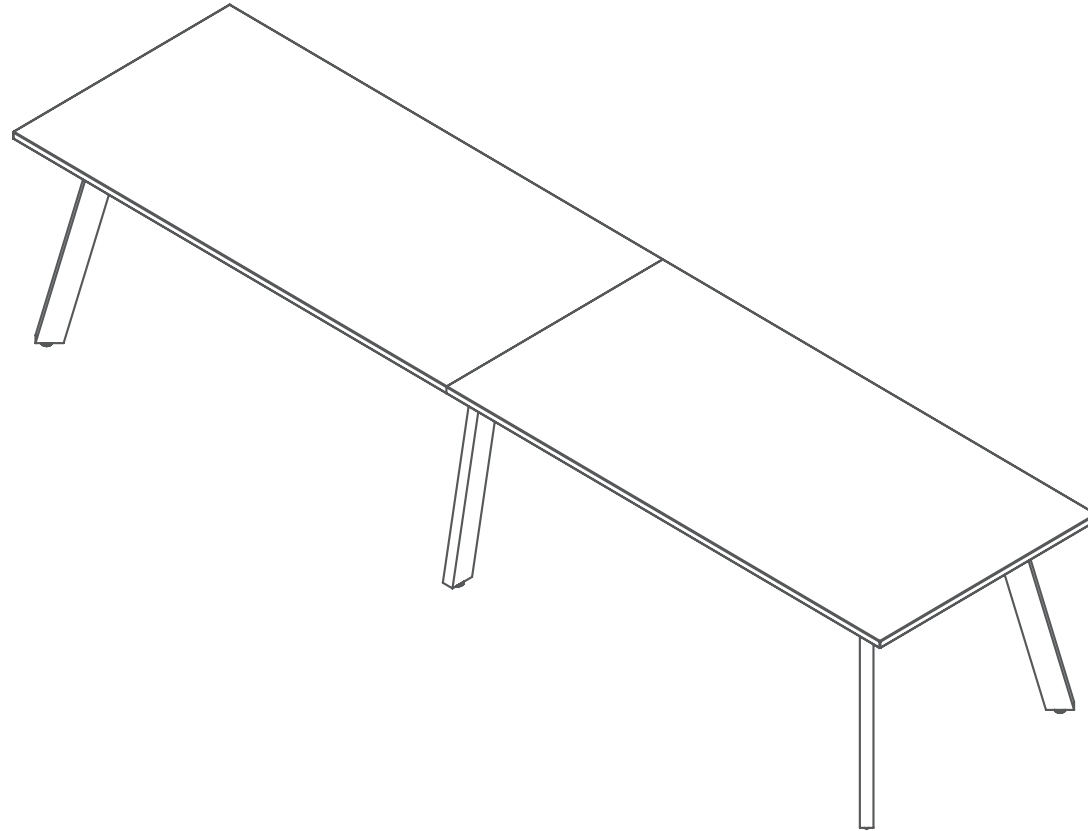


OLG

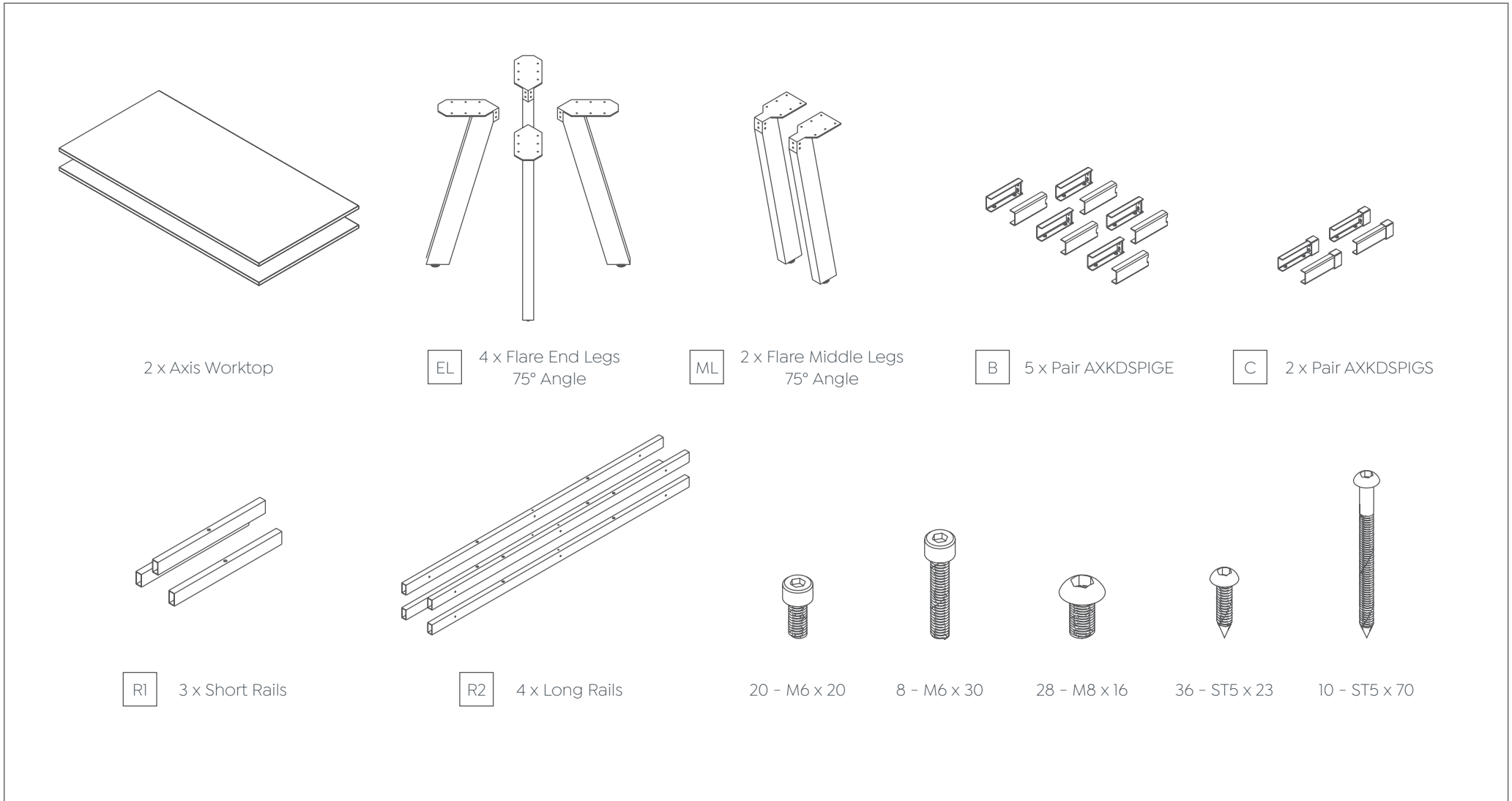


Flare 6 Leg Meeting Table

Assembly Instructions

Flare 6 Leg Meeting Table

Components List



2 x Axis Worktop

EL 4 x Flare End Legs
75° Angle

ML 2 x Flare Middle Legs
75° Angle

B 5 x Pair AXKDSPIGE

C 2 x Pair AXKDSPIGS

R1 3 x Short Rails

R2 4 x Long Rails

20 - M6 x 20

8 - M6 x 30

28 - M8 x 16

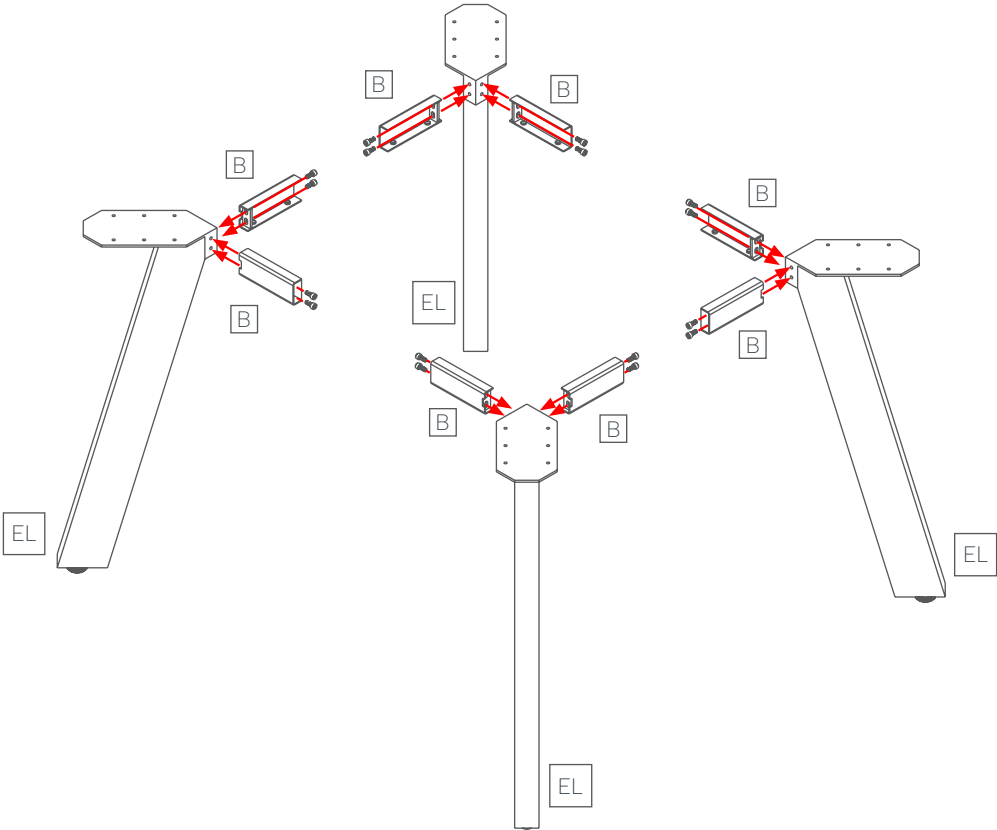
36 - ST5 x 23

10 - ST5 x 70

Flare 6 Leg Meeting Table

Assembly Instructions

STEP 1:



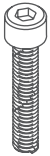
Flare 6 Leg Meeting Table

Assembly Instructions

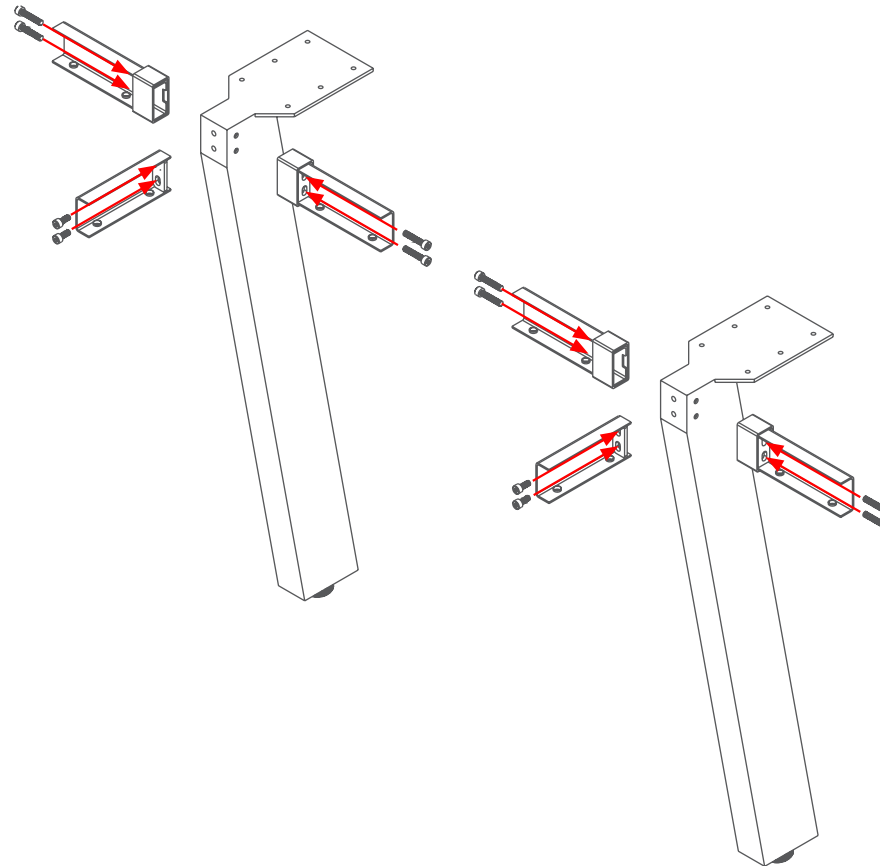
STEP 2:



4 - M6 x 20mm



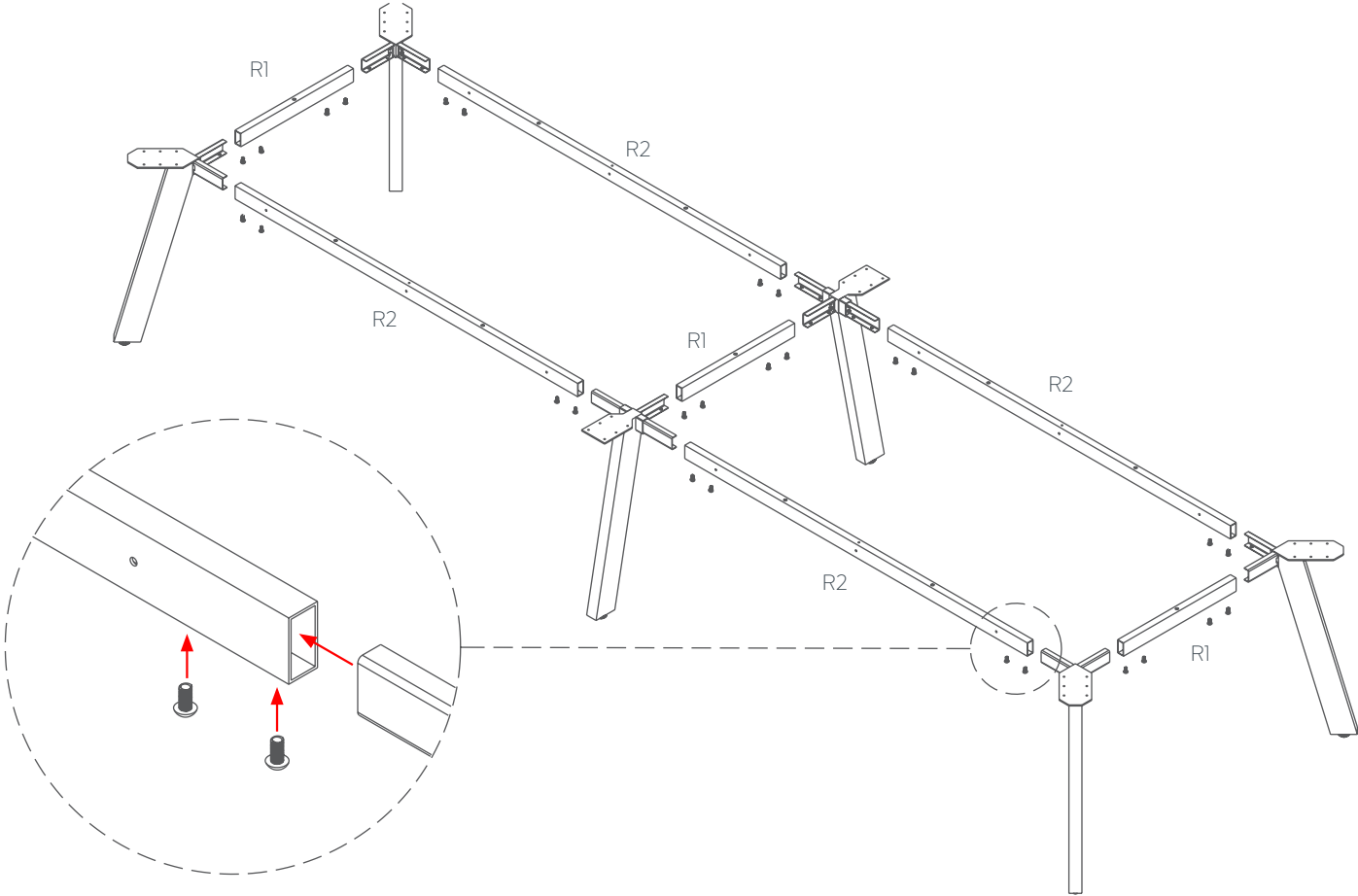
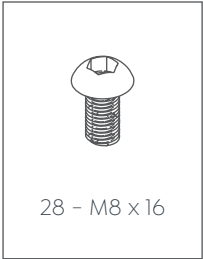
8 - M6 x 30mm



Flare 6 Leg Meeting Table

Assembly Instructions

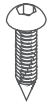
STEP 3:



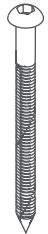
Flare 6 Leg Meeting Table

Assembly Instructions

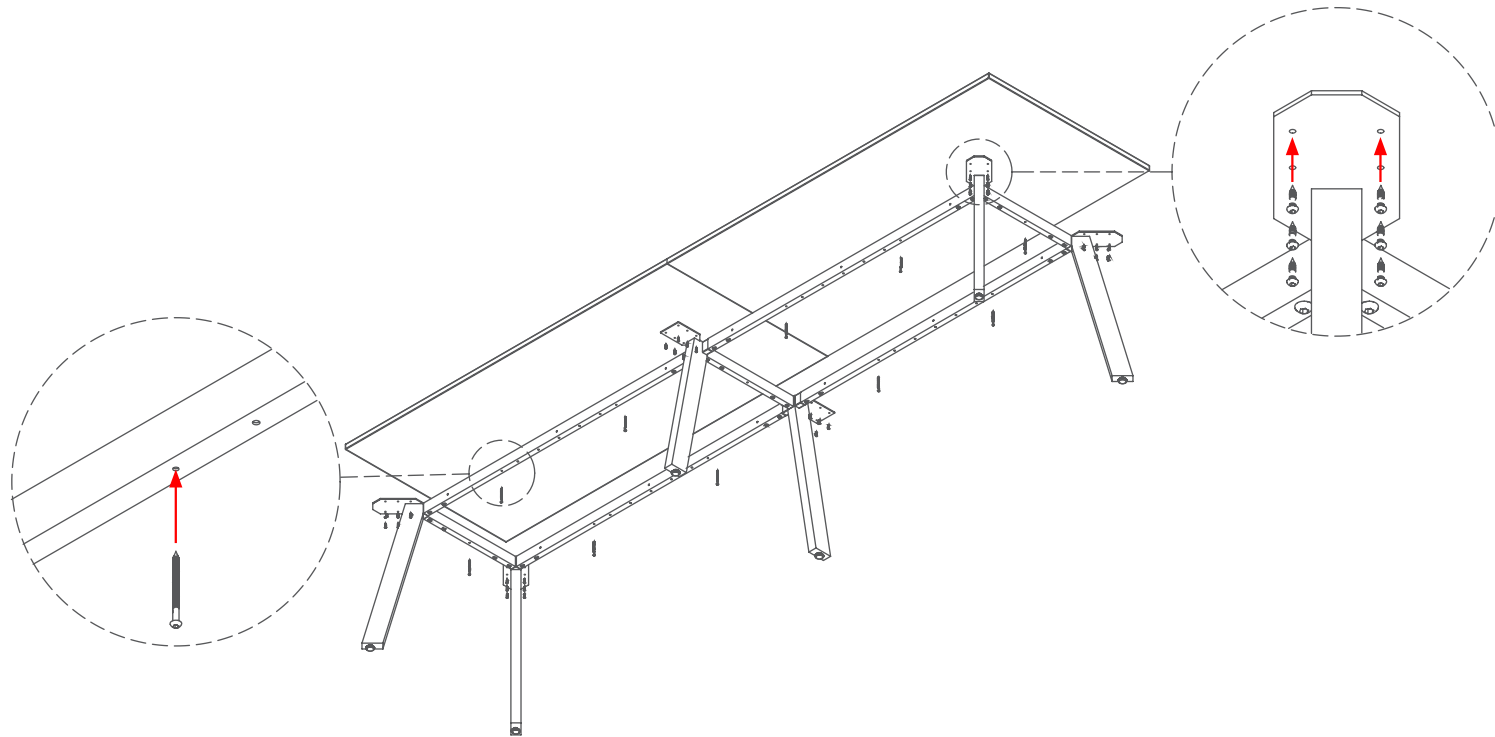
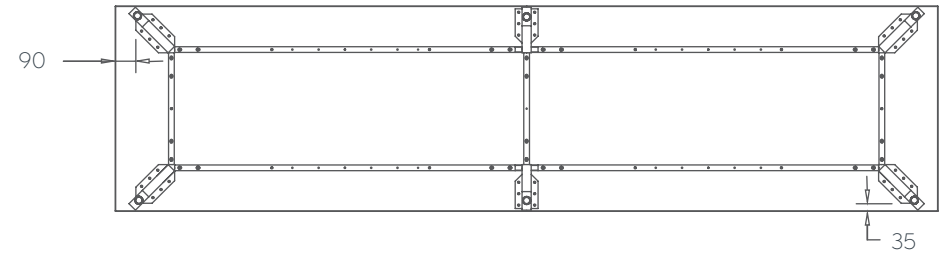
STEP 4:



36 - ST5 x 23



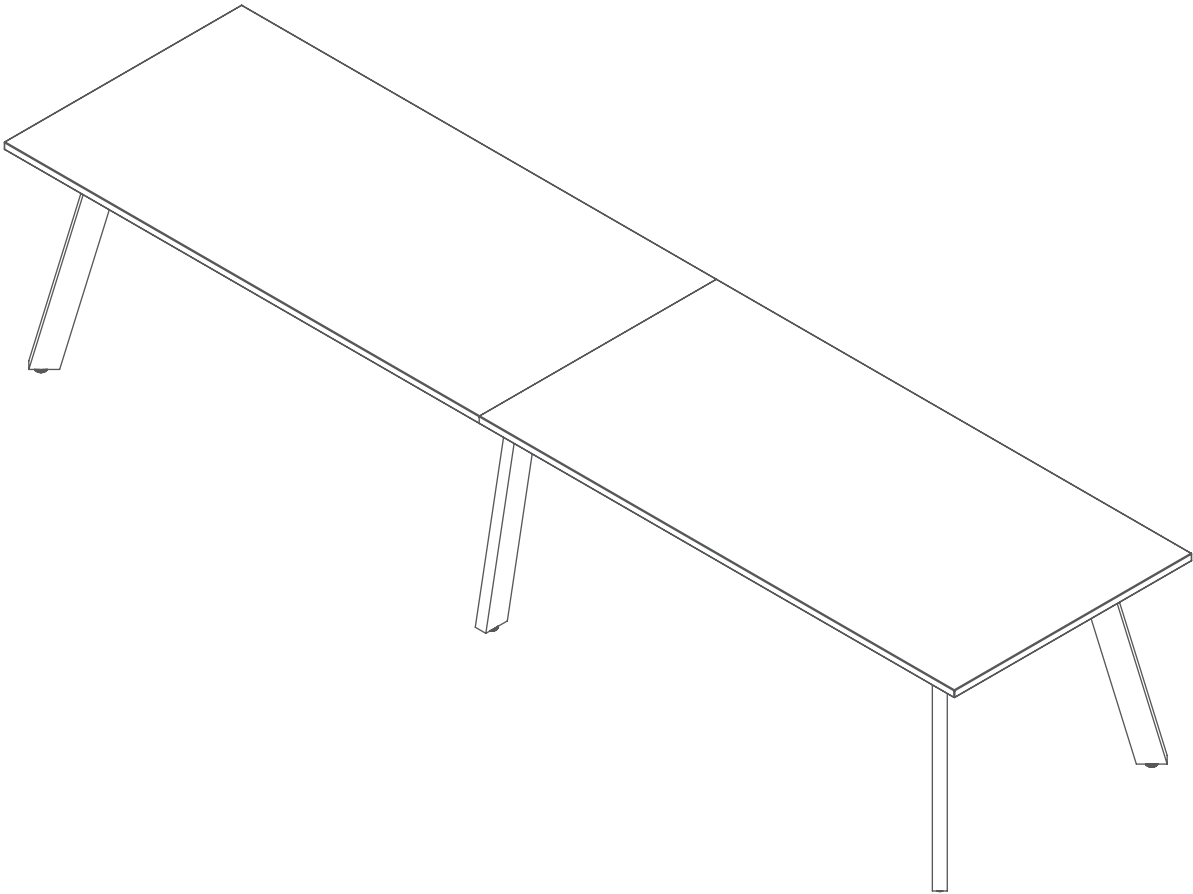
6 - ST5 x 70



Flare 6 Leg Meeting Table

Assembly Instructions

Complete:





Sydney 02 8188 2732

Melbourne 03 9111 0315

Brisbane 07 3733 1923

Adelaide 08 7111 0810

Perth 08 9468 2707

info@olgoffice.com

myolg.online | olgoffice.com | officedesigner.net | motionoffice.com