

# SOCIAL COLLECTION

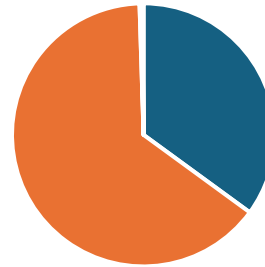
## Metal Low Stools

### Product Cut Sheet



## Material Composition

### Product Weight Split



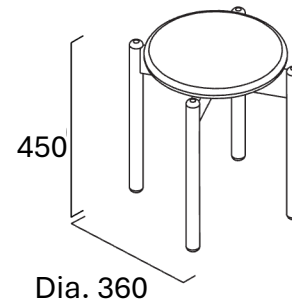
- Metal Frame 64%
- Solid Wood Seat 35%

Parts	Material description	Recyclable* end of life	Amount	Weight (kg)	Weight total (kgs)
Seating	Solid Wood	100%	1	1.63	1.63
Frame	Steel	100%	1	3	3
Stacking Bumper	Felt	100%	4	0.0077	0.0308
Floor Glides	Plastic	100%	4	0.0075	0.03
Screws	Steel	100%	4	0.0077	0.0308
Total Product					4.7

*\*Estimated percentage of recyclability at the end of the product's lifecycle depends on consumer use, re-use, and disposal methods. We advise disassembling and separating components for recycling.*

## Product Information

### Product Dimension

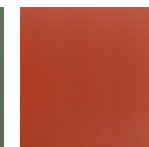


### Surface Materials

#### Powder Coat Paint Finish



Moss Green



Terra Cotta Red



Dove Grey

#### Solid Wood



Ash

**Packaging:**  
37\*37\*70CM  
0.1 CBM  
4 pcs/carton  
Fully Assembled

**Warranty:**  
5 years

#### Certifications:



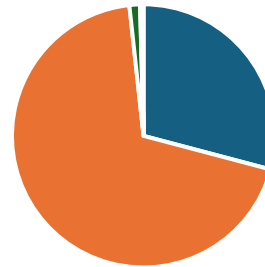
# SOCIAL COLLECTION

## Wood Low Stools Product Cut Sheet



### Material Composition

#### Product Weight Split



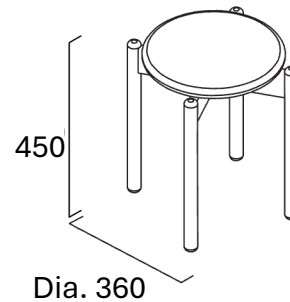
- Solid Wood Ash 99%
- Bumper and Screws 1%

Parts	Material description	Recyclable* end of life	Amount	Weight (kg)	Weight total (kgs)
Stool	Solid Wood	100%	1	3.57	3.57
Stacking Bumper	Felt	100%	4	0.0006	0.0024
Screws	Steel	100%	4	0.0077	0.0308
Total Product					3.6

*\*Estimated percentage of recyclability at the end of the product's lifecycle depends on consumer use, re-use, and disposal methods. We advise disassembling and separating components for recycling.*

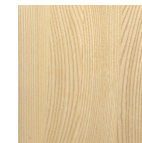
### Product Information

#### Product Dimension



#### Surface Materials

Solid Wood



Ash

**Packaging:**  
37\*37\*70CM  
0.1 CBM  
4 pcs/carton  
Fully Assembled

**Warranty:**  
5 years

**Certifications:**



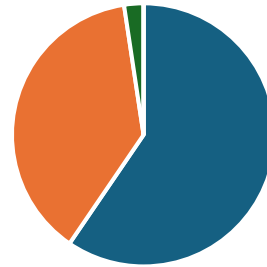
# SOCIAL COLLECTION

## Barstools Material Cut Sheet



## Material Composition

Product Weight Split



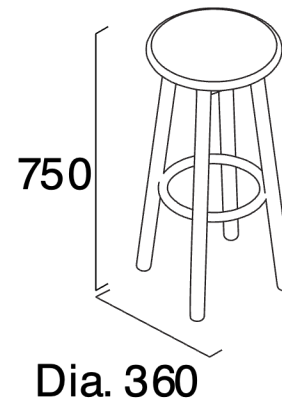
- Metal Frame 60%
- Solid Wood Seat 38%
- Hardware 2%

Parts	Material description	Recyclable* end of life	Amount	Weight (kg)	Weight total (kgs)
Seating	Solid Wood	100%	1	3.75	3.75
Frame	Steel	100%	1	2.4	2.4
Hardware	Steel	100%	4	0.15	0.15
Total Product					6.3

*\*Estimated percentage of recyclability at the end of the product's lifecycle depends on consumer use, re-use, and disposal methods. We advise disassembling and separating components for recycling.*

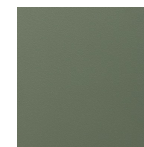
## Product Information

Product Dimension

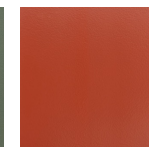


Surface Materials

Powder Coat Paint Finish



Moss Green



Terra Cotta Red



Dove Grey

Solid Wood



Ash

**Packaging:**  
73\*37\*15CM  
0.04 CBM  
1pc per ctn  
Knocked down

**Warranty:**  
5 years

**Certifications:**



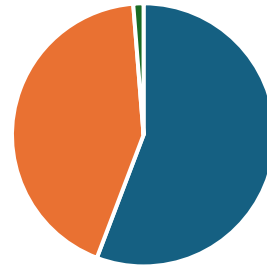
# SOCIAL COLLECTION

## Double Bench Material Cut Sheet



### Material Composition

Product Weight Split



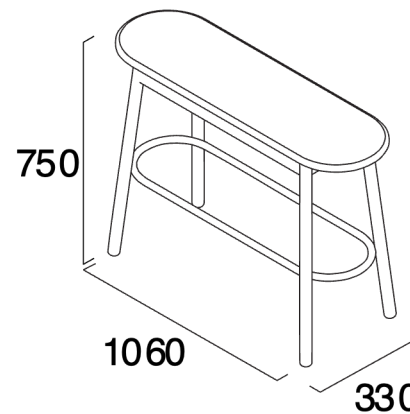
- Metal Frame 43%
- Solid Wood Seat 56%
- Hardware 1%

Parts	Material description	Recyclable* end of life	Amount	Weight (kg)	Weight total (kgs)
Seating	Solid Wood	100%	1	7.53	7.53
Frame	Steel	100%	1	5.8	5.8
Hardware	Steel	100%	1set	0.17	0.17
Total Product					13.5

*\*Estimated percentage of recyclability at the end of the product's lifecycle depends on consumer use, re-use, and disposal methods. We advise disassembling and separating components for recycling.*

### Product Information

Product Dimension

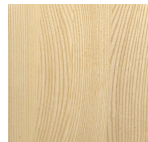


Surface Materials

Powder Coat Paint Finish



Solid Wood



**Packaging:**  
108\*35\*17.5CM  
0.066 CMB  
1pc per ctn  
Knocked down

**Warranty:**  
5 years

**Certifications:**



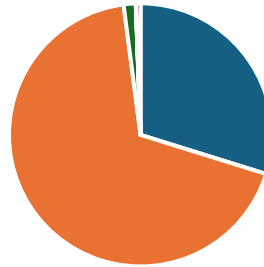
# SOCIAL COLLECTION

## Double Bar Table Material Cut Sheet



### Material Composition

Product Weight Split



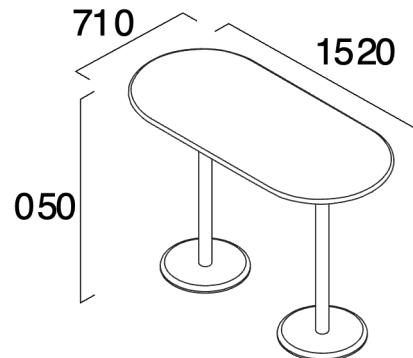
- Metal Frame 68%
- Solid Wood Seat 29%
- Others 1%

Parts	Material description	Recyclable* end of life	Amount	Weight (kg)	Weight total (kgs)
Top	Wood Solid	100%	1	17.51	17.51
Base	Steel	100%	1	40.02	40.02
Support Bar	Steel	100%	2	0.436	0.872
Floor Glides	Plastic	100%	6	0.0023	0.0138
Hardware	Steel	100%	1 set	0.33	0.33
Total Product					58.7

*\*Estimated percentage of recyclability at the end of the product's lifecycle depends on consumer use, re-use, and disposal methods. We advise disassembling and separating components for recycling.*

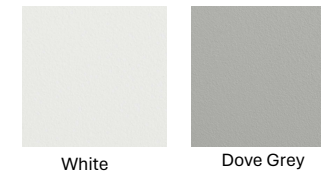
### Product Information

Product Dimension

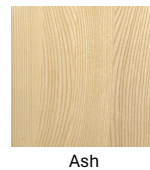


Surface Materials

Powder Coat Paint Finish



Solid Wood



**Packaging:**  
 Top: 163x80.5x10CM  
 Post: 7\*7\*100CM  
 Base: 45.5\*45.5\*5.5CM  
 0.16 CBM  
 1pc per 3 ctn  
 Knocked Down

**Warranty:**  
 5 years

Certifications:



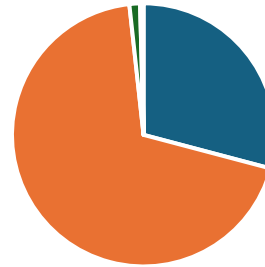
# SOCIAL COLLECTION

## Round Café Table Material Cut Sheet



## Material Composition

### Product Weight Split



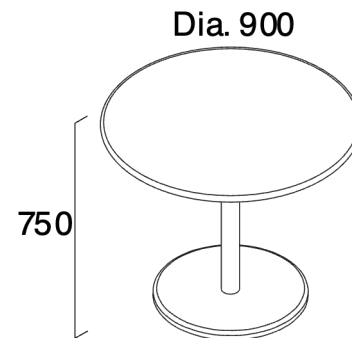
- Metal Frame 68%
- Solid Wood Seat 29%
- Others 1%

Parts	Material description	Recyclable* end of life	Amount	Weight (kg)	Weight total (kgs)
Top	Wood Solid	100%	1	12.8	12.8
Base	Steel	100%	1	30.4	30.4
Support Bar	Steel	100%	2	0.574	1.148
Floor Glides	Plastic	100%	6	0.057	0.342
Hardware	Steel	100%	1 set	0.13	0.13
Total Product					44.8

\*Estimated percentage of recyclability at the end of the product's lifecycle depends on consumer use, re-use, and disposal methods. We advise disassembling and separating components for recycling.

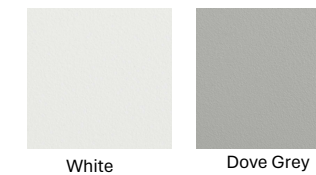
## Product Information

### Product Dimension



### Surface Materials

#### Powder Coat Paint Finish



White

Dove Grey

#### Solid Wood



Ash

### Packaging:

Top: 101x101x10  
Post: 7\*7\*69CM  
Base: 57\*57\*5.5CM  
0.16 CBM  
1pc per 3 ctn  
Knocked Down

Warranty:  
5 years

### Certifications:



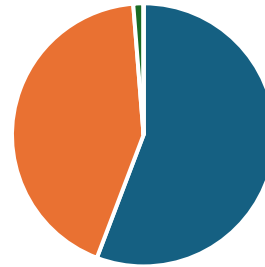
# SOCIAL COLLECTION

## Square Café Table Material Cut Sheet



### Material Composition

Product Weight Split



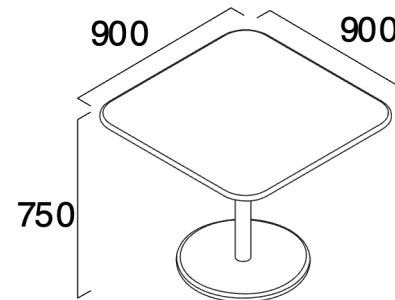
- Metal Frame 52%
- Solid Wood Seat 27%
- Hardware 2%

Parts	Material description	Recyclable* end of life	Amount	Weight (kg)	Weight total (kgs)
Top	Wood Solid	100%	1	15.6	15.6
Base	Steel	100%	1	30.4	30.4
Support Bar	Steel	100%	2	0.574	1.148
Floor Glides	Plastic	100%	6	0.0095	0.057
Hardware	Steel	100%	1 set	0.13	0.13
Total Product					46.7

*\*Estimated percentage of recyclability at the end of the product's lifecycle depends on consumer use, re-use, and disposal methods. We advise disassembling and separating components for recycling.*

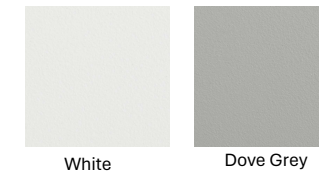
### Product Information

Product Dimension



Surface Materials

Powder Coat Paint Finish



Solid Wood



**Packaging:**  
Top: 101x101x10  
Post: 7\*7\*69CM  
Base: 57\*57\*5.5CM  
0.16 CBM  
1pc per 3 ctn  
Knocked Down

**Warranty:**  
5 years

Certifications:

