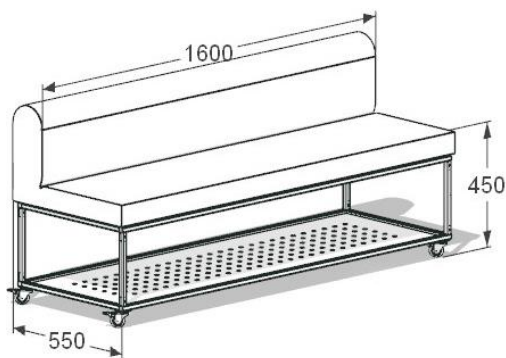


Product tear sheet

NOMAD portable benches. Lead time: 6-8 weeks. Origin: Taiwan, WA



Product tear sheet



NOMAD bench:

1600W x 550D @ 450/710mm H
25 x 25 SHS frame powder coated, with locking heavy-duty low-profile platform castors.
Plywood frame to seat, commercial grade foam

Powder coat:

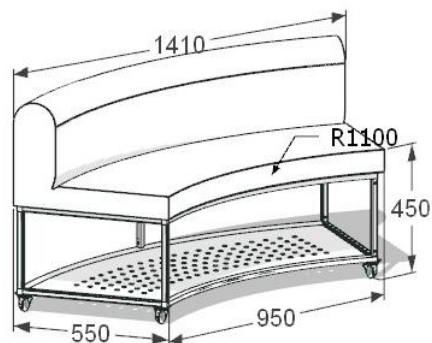
Option 1: Paperbark, Satin Finish or Black textured finish

Option 2: custom, to client specification. Surcharge will apply

Upholstery:

Option 1: Kvadrat Arda range

Option 2: to client specification, must have good stretch and thickness



NOMAD curved bench:

1410W x 550D @ 450/710mm H
25 x 25 SHS frame powder coated, with locking heavy-duty low-profile platform castors.
Plywood frame to seat, commercial grade foam

Powder coat:

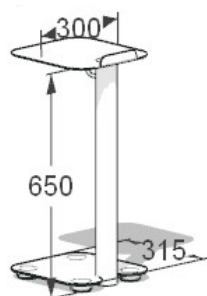
Option 1: Paperbark, Satin Finish or Black textured finish

Option 2: custom, to client specification. Surcharge will apply

Upholstery:

Option 1: Kvadrat Arda range

Option 2: to client specification, must have good stretch and thickness



NOMAD lap top table:

300W x 315D @ 650mm H
Fully welded mild steel construction with weighted base and bag hook
Powder coated finish, black ABS glides

Powder coat:

Option 1: Paperbark, Satin Finish or Black textured finish

Option 2: custom, to client specification. Surcharge



