

SP-MINI

Design : 2022



SP-MINI

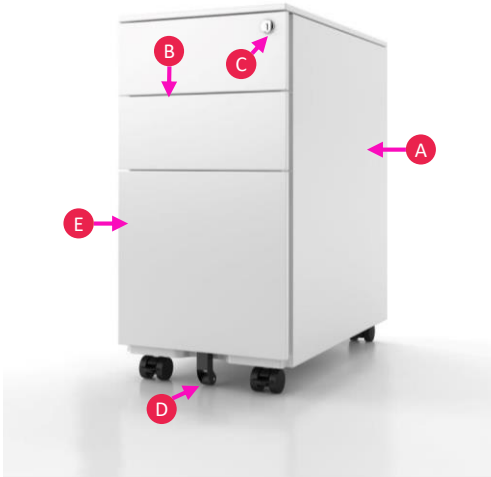
A - Subtle premium powder coat finish

B - Full extension ball bearing sliders

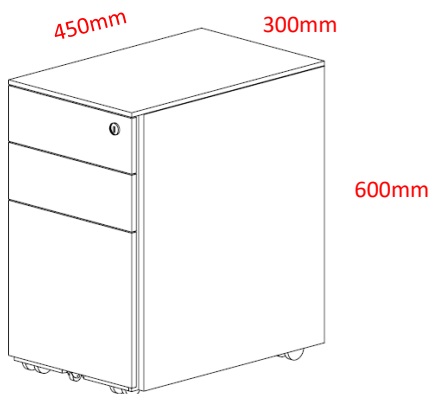
C - Interchangeable key lock and barrel system

D - Locking castors with 5th wheel for counterweight protection

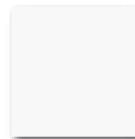
E - Environmentally friendly with 30% recycled raw material



more images at <http://www.diami.com.au>



Premium power coat finish available stockexpress.*



SP-MINI-W
(Pearl white)



SP-MINI-B
(Satin black)



Pencil tray



Full extension sliders



Fifth castor for stability



Filing drawer



Interchangeable lock barrels and master key

Options:

Specified Powder coat to full unit | Specified Powder coat to drawer front and/or top panel only | Cushion top in local fabric

