

lana

# Lana Laptop Stand

TECHNICAL SPECIFICATION SHEET



## KEY FEATURES



1. **Laptop Compatibility:** Up to 16" and Max Weight 2.5kg (5.5lbs).

2. **Pass Through Charging**

When paired with a USB-C laptop charger (not included), Lana delivers up to 100W power through charging to your laptop (dependent on power supply).

*Note: Pass through charging is a feature that allows a device that is connected to a power supply to send power to other devices for charging.*

3. **Instant Connection to Keyboard & Mouse**

Connect a keyboard & mouse into Lana's USB-A ports for instant access to peripheral support. Simply plug in Lana's USB-C cable to your laptop. Simple & convenient.

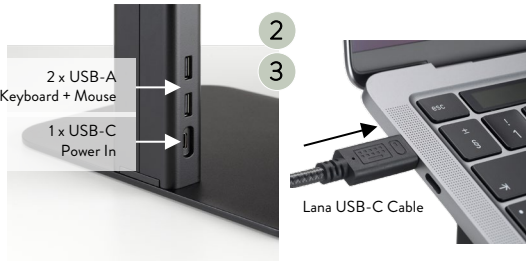
*Note: Lana works best with a wireless keyboard & mouse.*

4. **Height Adjustment**

Adjust Lana to a user's height by lifting the platform up and down whilst the laptop is in place.

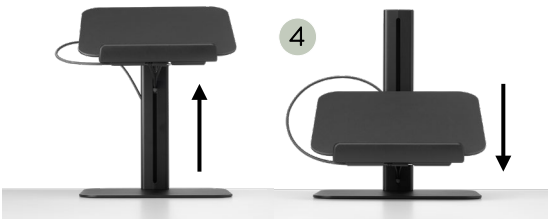
5. **Fold Away Feature**

Lana folds flat against its post when not in use. Just push the platform in and it's ready for the next user.



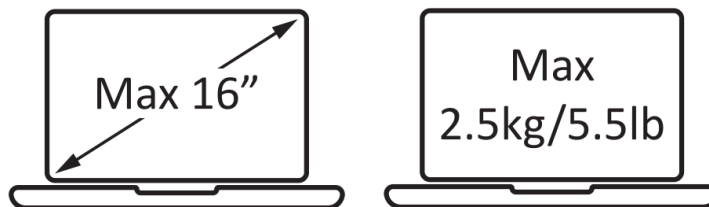
### Additional Key Features

- Freestanding base – Lana can be moved on desk easily to suit a user's position.
- Cable management – USB-C tucks away tidily underneath the platform lip.
- Available in black & white.  
Black = RAL 9011\*, White = RAL 9016\*  
*\*All RAL colours are for reference as closest match rather than exact RAL formulations.*
- Clamp option – Option to clamp Lana's base to a desk for applications where space is at a premium. Available to purchase on request as a special.
- PFAS free.
- Supplied in plastic free packaging.
- Built with sustainability in mind – can be easily dismantled and more readily recycled.



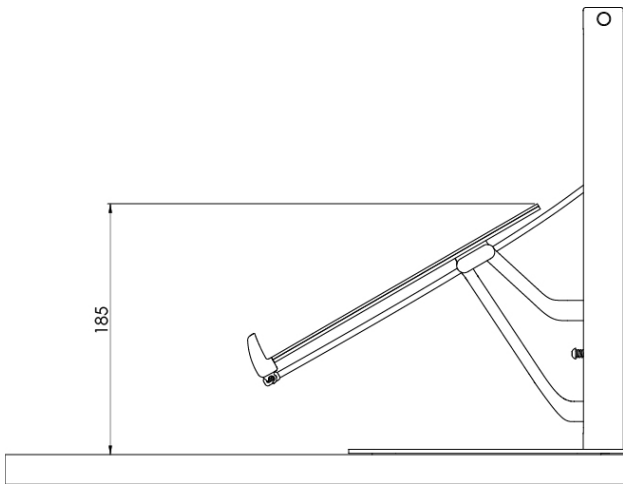
## PRODUCT PERFORMANCE GUIDELINES

### Maximum laptop size and weight

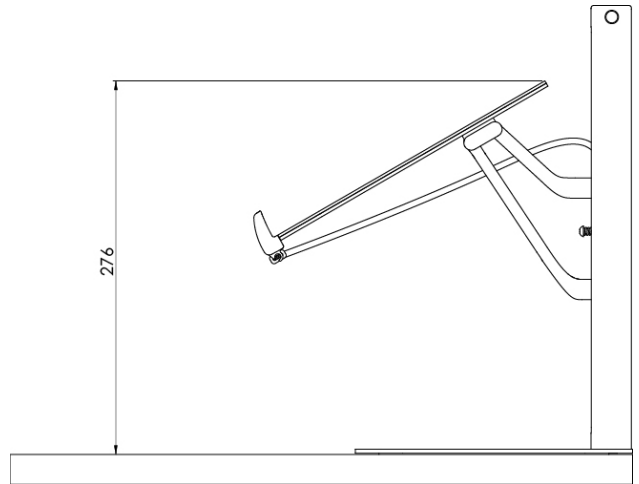


# DIMENSIONAL DRAWINGS

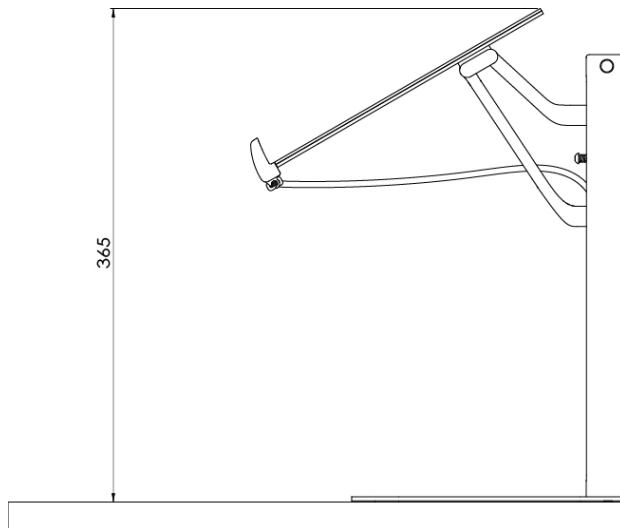
Lowest Position



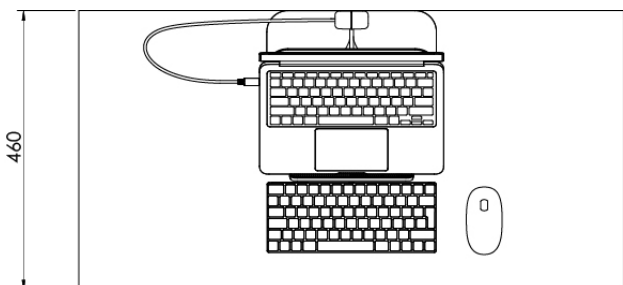
Mid Position



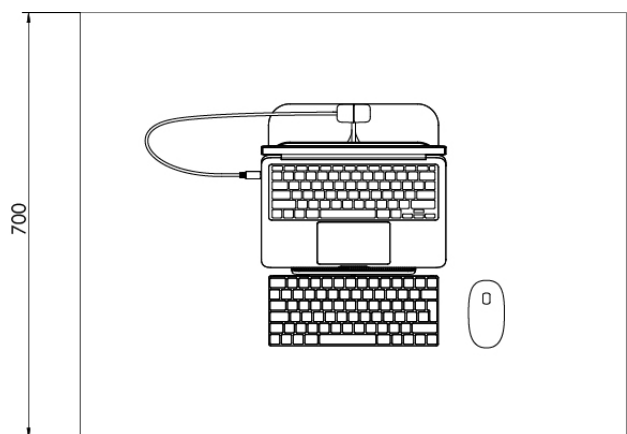
Highest Position



Lana on a Minimum Sized Desk



Lana on a Typical Sized Desk



\*All dimensions quoted are in mm

---

## LOGISTICS

Box contains	Lana Laptop Mount, Instructions
Product net weight:	2.7kg
Box dims:	222 x 305 x 343 mm
Box gross weight:	3.1kg
Master carton quantity:	4 units
Master carton dims:	538 x 372 x 345 mm
Master carton weight:	13.2 kg
Country of origin:	Italy

---

## ORDERING INFORMATION

<u>Product Description</u>	<u>Product Code</u>	<u>Colour</u>
Lana Laptop Shelf, White	LAP/020/W	White
Lana Laptop Shelf, Black	LAP/020/B	Black

---

## WARRANTY

Warranty Period:	5 years
------------------	---------

---

## SUSTAINABILITY

[See Colebrook Bosson Saunders website](#)

---

## COMPLIANCE & SAFETY CERTIFICATION

Whilst no mandatory standards apply to the laptop stand product sector, Lana has been designed with appropriate features, dimensional range and adjustability to support typical working postures laid out in ISO 9241-5, Ergonomic requirements for office work with visual display terminals.

Lana has been designed and engineered to comply with all relevant mandatory standards and certifications required for entry to the intended markets listed: UK, EU, US, Canada, Mexico, Australia, New Zealand, South Korea, India, Japan, Singapore, China, Brazil, Philippines, Hong Kong.